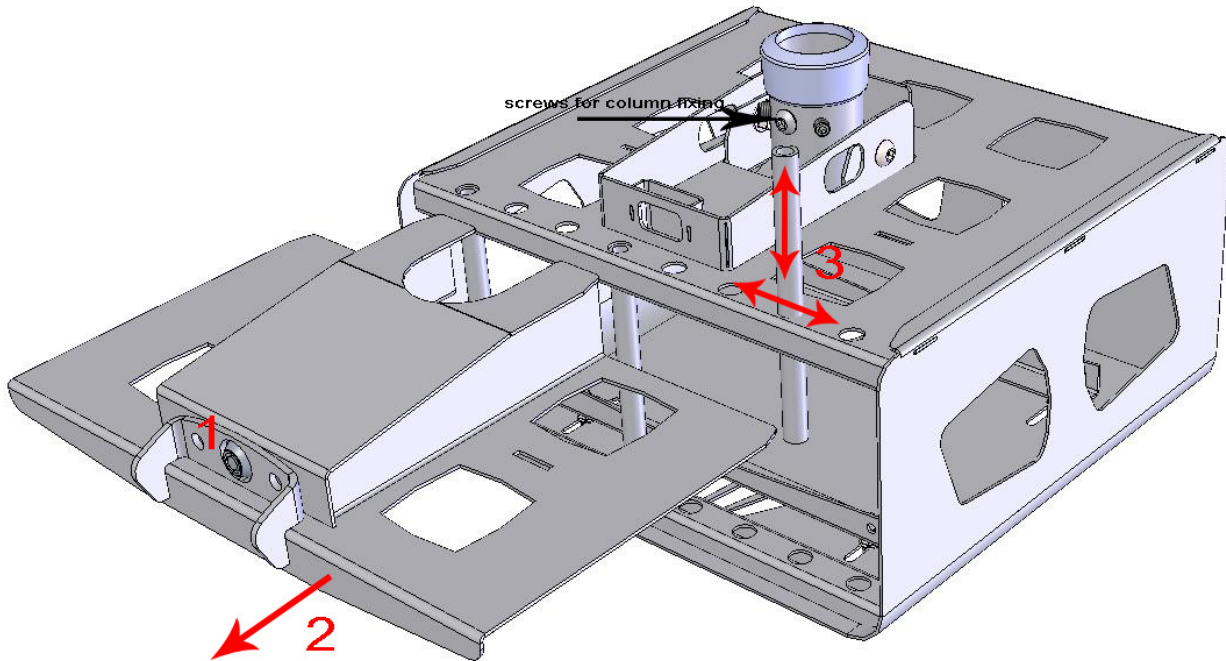




INSTRUCTION MANUAL FOR GUARDBOX (shown with PGX)



- 1: unlock
 - 2: remove security plate
 - 3: remove twin bars to insert projector, then insert bars depending to lens position
 - 4: refit security plate and lock
- Before or after step 3: fix Guardbox to column

**Caution: Ensure all fittings are correctly tightened before installation of projector!
If you need any assistance, please contact us!**