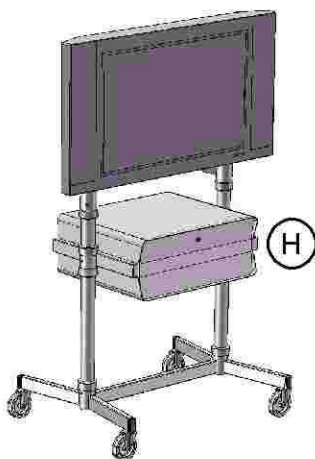
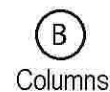
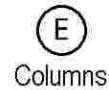
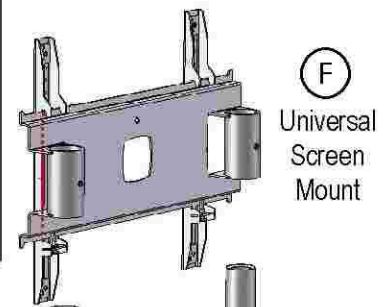
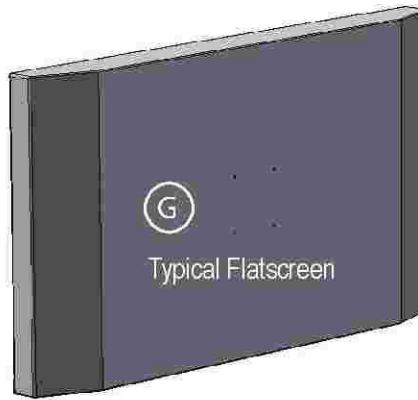


The TC1000 range of trolleys can be used to support flatscreen Plasma / LCD TV's.

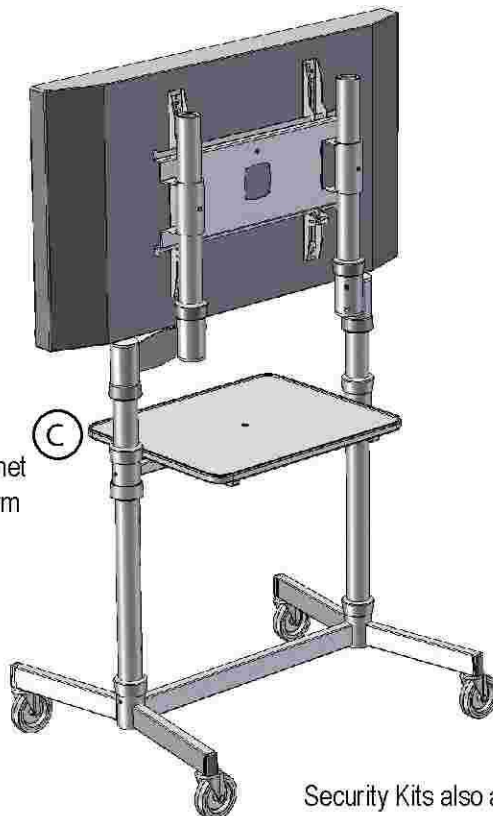
There is a range of accessories for this trolley, including 2 different sized equipment platforms TPH and TPC and a Video Locking Cabinet TLC.

Assembly

1. Ensure all grub screws in the Trolley base (A), Twin Socket Units (D), Screen Mount (F) and any accessory platforms (C) or cabinets (H) are loosened sufficiently to allow the columns (B & E) to move freely and are not scratched by the screws.
2. Place columns (B) into the socket units on Trolley base (A). Partially tighten grub screws.
3. If you have ordered a platform unit (C) or other accessory, slide these down the columns to desired height and tighten grub screws.
4. Identify the 2 x Twin Socket Units (D) and place over the columns (do not tighten grub screws).
5. Place the 2 smaller columns (E) into the top sockets of Twin Socket Units (D) (do not tighten grub screws).
6. Identify the Screen Mount (F) and place back plate (with sockets) over the 2 columns (E). Arrange the back plate so that it is parallel to the base unit and at the desired height. Tighten all grub screws on Twin Socket Units (D), Base (A) and Screen Mount (F).
7. Fix the 2 arms of the Screen Mount (F) onto the Screen (G) using the fixings provided. Refer to the PZX instructions supplied to attach the Mount to the Screen.
8. With the aid of another person lift and hook the Screen (with mount arms attached), onto the top edge of the screen plate, tighten screw at bottom of arms to finish installation.

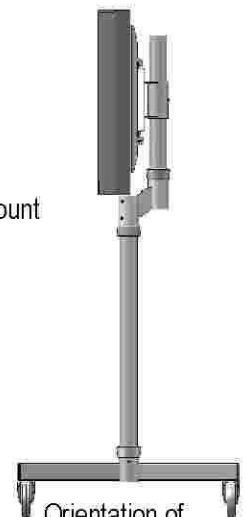


Typical Locking Cabinet & Equipment Platform



Parts List:

- (A) 1 x TCB Trolley Base
- (B) 2 x 1m Columns
- (D) 2 x Twin Socket Units
- (E) 2 x 0.5m Columns
- (F) 1 x Universal Screen Mount (including Back Plate and 2 screen fixing arms)
- Accessories as ordered



Should you require further information or assistance please call:

01865 767676

untc0508

Security Kits also available - Call us for details
www.unicol.com 01865 767676