

### INSTALLATION INSTRUCTIONS



#### Inspect the unit before installing.

**Warning:** watch for pinch points. do not put your fingers between moveable parts. Do not tamper with or dis-assemble any spring loaded items.

1. Carefully inspect the unit for shipping damage. If any damage is apparent, call your carrier claims agent and do not continue with the installation until the carrier has reviewed the damage.

2. Lay out components to ensure you have all the required parts before proceeding (see parts list).

**Caution:** To prevent damage to the unit, study all instructions and illustrations before you begin the installation. Failure to do so could render the warranty for the unit and the equipment that attaches to it null and void. Pay particular attention to the "warnings" displayed in these instructions.

Pay attention to the maximum weight that this unit will support - 80kg.

We recommend installation by a qualified tradesperson. if you have any questions about the installation, contact Unicol, (uk +44 (0) 1865 767676) (europe +49 (0) 9131 9405 8013).

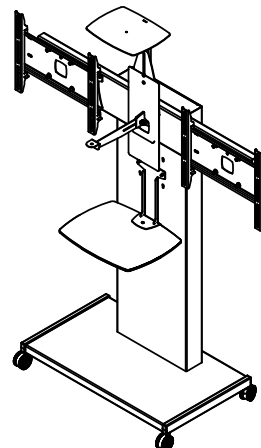
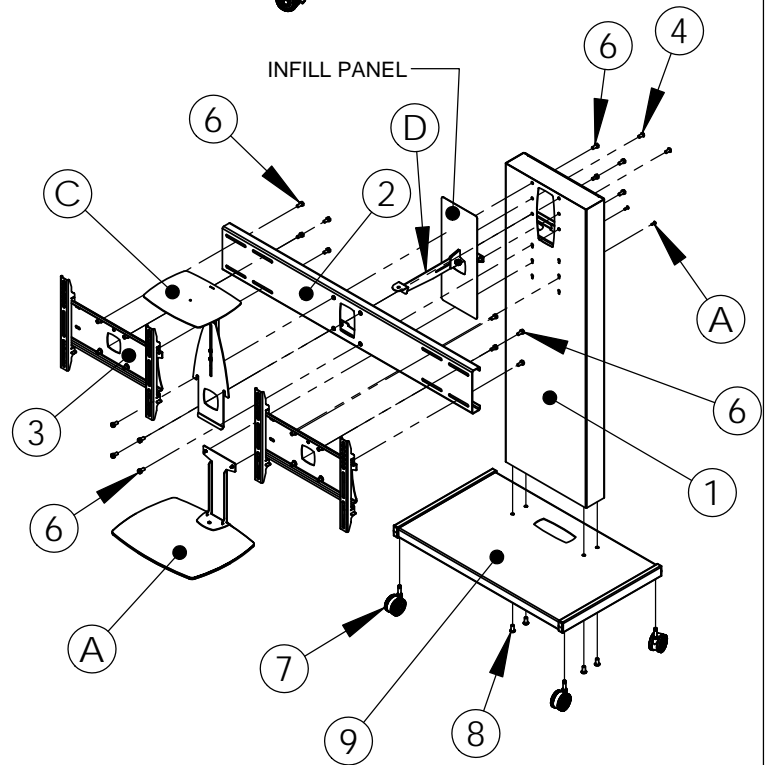
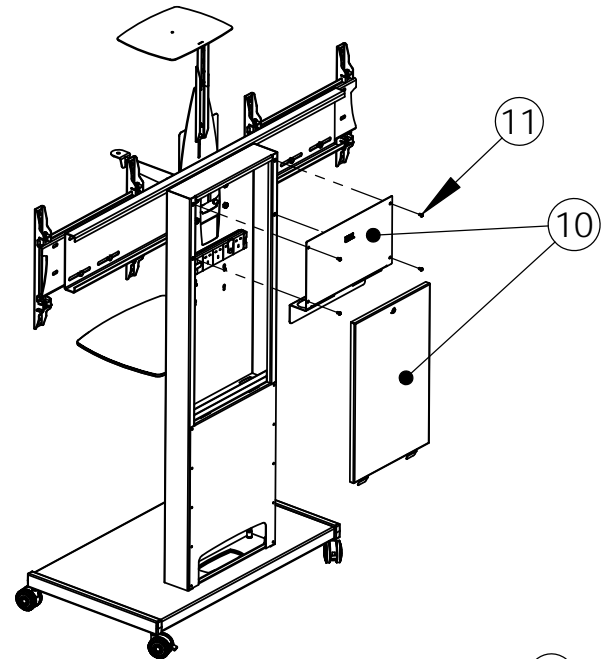


## INSTALLATION INSTRUCTIONS

PARTS LIST				
ITEM NO.	PART DESCRIPTION	RH100 QTY	RH200 QTY	RH300 QTY
1	MAST UNIT	1	1	1
2	MULTI SCREEN MOUNT	0	1	0
3	SCREEN MOUNT	1	2	3
4	M10 X 20 SBHCS	4	4	4
5	TRIPLE SCREEN SUPPORT	0	0	1
6	M10 X 20 HEX HEAD MS	4	12	16
7	CASTERS/STATIC	4	4	4
8	M12 X 25 SBHCS	4	4	4
9	BASE	1	1	1
10	REAR DOOR AND PANEL	1	1	1
11	M6 X 16 BHS	4	4	4

### ASSEMBLY

- Choose castors or static feet (7) and plug into receptacles in bottom of base (9).
- Fix mast (1) to base (9) with (8) provided.
- Remove rear door and panel (10) by unscrewing the 4 x M6 x 16 button head screws (11) This gives access to fit the multi screen mount (2).
- Fit multi screen mount (2) to mast (1) using the central 150 centre holes using (6) - 3 heights are available
- If required - Fit vcm (C) to multiple screen support (2) so vcm (C) slots engage with top screws of multiple screen support central rivnuts
- After fitting chosen screen to screen mount arms, fit screen mount base plate to multi screen mount (2). Adjust mount separation on slots provided for size of screen. Once desired positions have been found, tighten all appropriate bolts to secure the screens in position 7. If required - fix glass into metal shelf support with nut and bolt provided. Fit glass shelf onto key-hole slots in mast - 2 heights available
- Blade unit - camera mount (D) to be mounted to mast (1) before multi screen mount (2). Fix from rear using (4). If there is a gap between screens the infill panel can be requested. This slots over blade to cover unsightly cables. Do this before mounting screens. NB - infill panel is a dual screen option only.



### ACCESSORIES

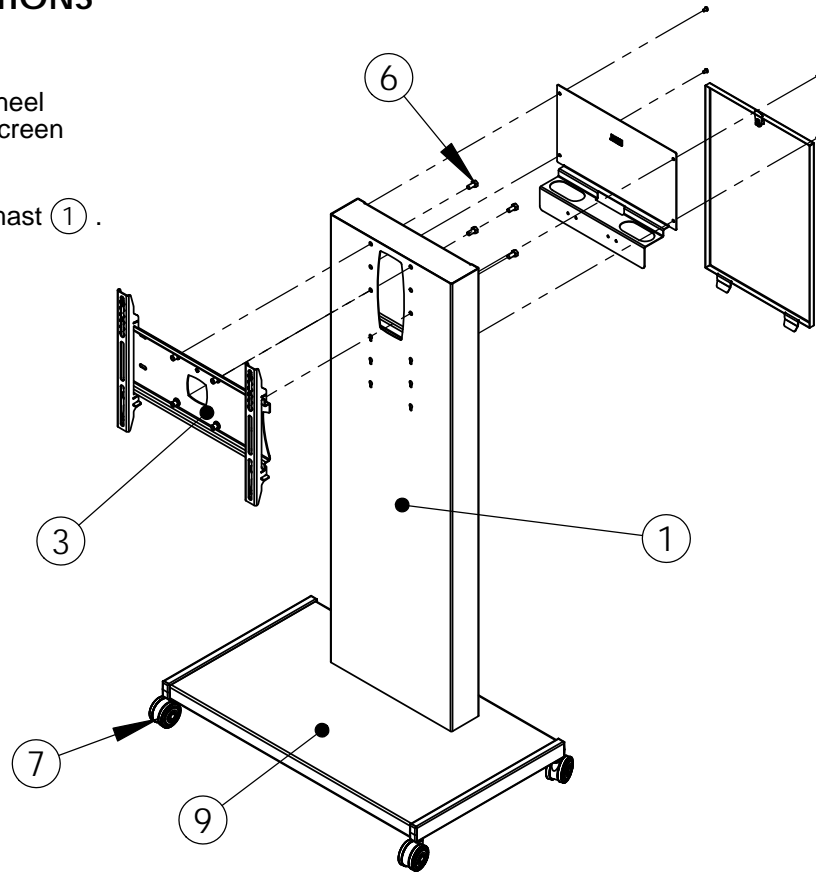
ITEM NO.	NUMBER	PART DESCRIPTION
A	RHGS1	GLASS SHELF 500(W) X 400(D)+X2 M6 X 16 SBHCS
B	RHGS2	GLASS SHELF 780(W) X 390(D)+X2 M6 X 16 SBHCS
C	VCM	VIDEO CAMERA MOUNT (ABOVE SCREEN)
D	RHCB1	BLADE UNIT
		BLADE MOUNT
		INFILL PANEL (OPTIONAL)
		RHCC CAMERA CONVERSION SHELF (OPTIONAL)

## INSTALLATION INSTRUCTIONS

### SINGLE SCREEN:

Assemble base and mast with wheel choice as per page 2 of 3 (twin screen instructions)

Fix single screen mount (3) on mast (1).



### TRIPLE SCREEN:

1. Assemble base (9), mast (1) and multi screen mount (2) with wheel (7) choice as per page 2 of 3 (twin screen instructions)
2. Fix portrait screen mount base plate on multi screen support (2). Fix screen mount arms to screen and hook onto screen mount base plate. Adjust screens to desired positions and tighten all bolts. See page 2 of 3 (twin screen instructions) for fixings.

