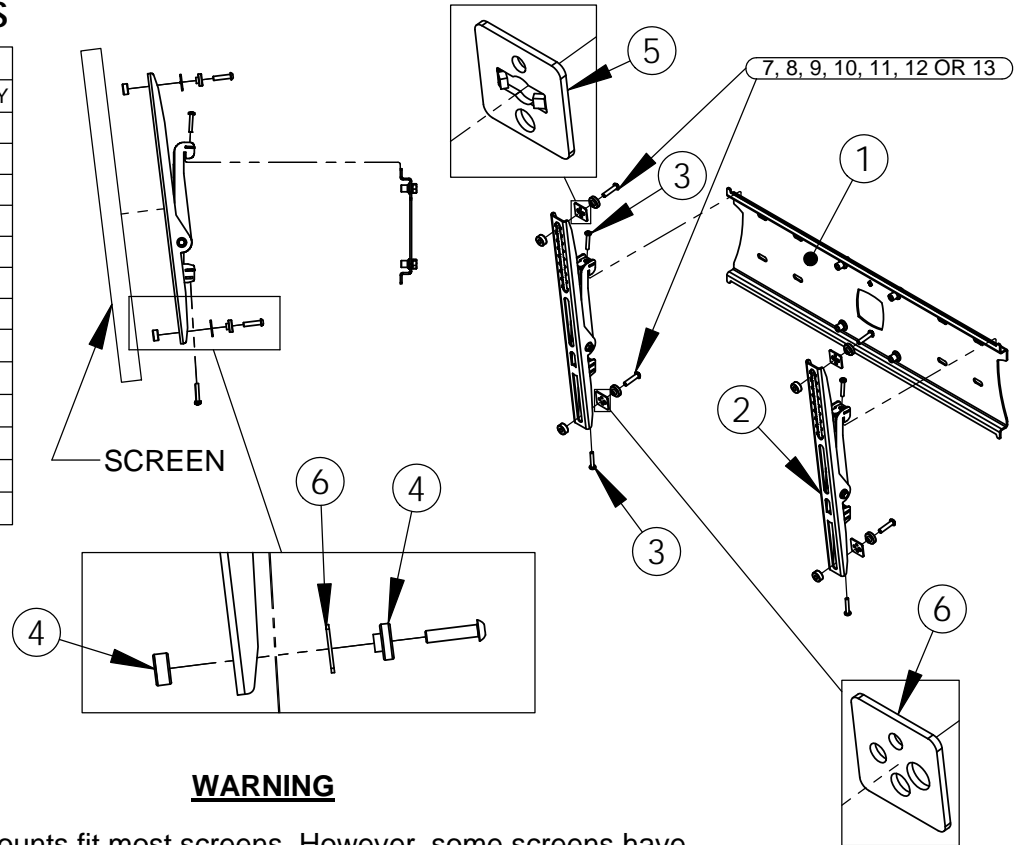


INSTALLATION INSTRUCTIONS

PARTS LIST		
ITEM NO.	DESCRIPTION	QTY
1	BACK PANEL	1
2	TILTING ARM / NON TILTING ARM	2
3	M6 X 30 SECURING SCREW	4
4	2 PART SPACER	4
5	GRIPLOCK TAG SPACER	2
6	GRIPLOCK SPACER	2
7	M4 X 12 POZI PAN HEAD SCREW	4
8	M5 X 16 POZI PAN HEAD SCREW	4
9	M5 X 20 POZI PAN HEAD SCREW	4
10	M6 X 12 BUTTON HEAD SCREW	4
11	M6 X 30 CAP HEAD SCREW	4
12	M8 X 20 POZI PAN HEAD SCREW	4
13	M8 X 35 BUTTON HEAD SCREW	4



WARNING

Universal mounts fit most screens. However, some screens have more fixing points than Universal Mount arms can fix to. In these circumstances consult the screen manufacturer's instructions to confirm how many fixing points have to be used.

If it is felt that the Arm fixing points are insufficient we manufacturer Xactmatch mounts specifically for individual screens, which use the appropriate screen fixing points. This is the PLW & PLX range.

INSPECT THE UNIT BEFORE INSTALLING

WARNING: Watch for pinch points. Do not put your fingers between moveable parts. Do not tamper with or disassemble the spring loaded arms of the PZW.

1. Carefully inspect the PZW Tilting Mount or PZX Flat Mount for shipping damage. If any damage is apparent, call your carrier claims agent and do not continue with the installation until the carrier has reviewed the damage.

NOTE: Read all instructions before starting the installation. The PZW differs from the PZX in that the PZW Screen Arms have an additional spring loaded arm. Both units are assembled in the same way.

2. Lay out components to ensure you have all the required parts before proceeding (see Parts List at top of page).

CAUTION: To prevent damage to the PZW / PZX study all instructions and illustrations before you begin the installation. Failure to do so could render the Warranty for the mount and the equipment that attaches to it null and void. Pay particular attention to the "Warnings" displayed in these Instructions.

The maximum weight to be installed on the PZW / PZX wall mount is 60 Kg (132 Lbs)

The PZW / PZX wall mount is designed to be installed onto walls or Unicol screen stands and trolleys. The structure to which the wall mount is anchored must be capable of supporting five times the total weight of the mount and all attached equipment. We recommend installation by a Qualified Tradesperson, using masonry plugs or other reliable fixings to ensure safe installation. Consult your builder or architect if in doubt.

If you have any questions about the installation, contact Unicol +44 (0) 1865 767676.

INSTALLATION INSTRUCTIONS

INSTALLING BACK PLATE (A)

WALL INSTALLATION

1. Determine the exact mounting location prior to installation, consider where the cables are routed from the wall in relation to the hole in the centre of the back plate.

WARNING: Improper installation can result in serious personal injury. Make sure that the structure can support a redundant weight factor five times the total weight of the equipment: if not, reinforce the structure before installing the PZW / PZX.

2. Using the Back Plate ① as a template, mark, drill and plug wall as necessary, fix the Back Plate to the wall ensuring that the Plate is level.

CAUTION: We recommend installation by a Qualified Tradesperson, using masonry plugs or other reliable fixings to ensure safe installation. Consult your builder or architect if in doubt.

TROLLEY / STAND INSTALLATION

1. Attach the Back Plate ① to the Trolley Mount Adapter plate (shown on Trolley / Stand Instructions) using the 4 x M10 x 25mm Hex Head Screws supplied with the Trolley / Stand.

INSTALLING SCREEN ARMS ②

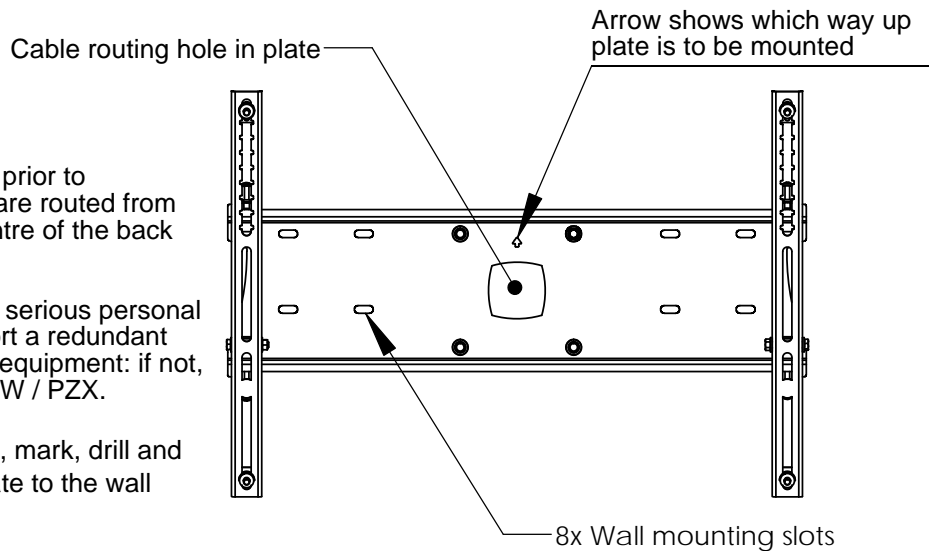
Fix the Screen Arms ② to the screen using the fixing screws and spacers provided for your screen. The Arms are provided with either Griplock plates or 2-part plastic spacers - See sheet 1 of 2 for diagram.

NOTE:

1. Griplock plates ⑤ & ⑥. If required, locate in the channel section of the arm. The Griplock plate with tags ⑤ fits at the top and grips into the teeth on the arm. The Griplock plate with 4 holes ⑥ fits into the channel at the bottom. Both can be rotated to fit the fixing screw size for your screen.
2. 2-part plastic spacers ④. If required, these locate in the channel section of the arm. Join the 2 parts through the Arm as shown in the diagram at top of sheet 1 of 2.

COMPLETING INSTALLATION

1. Loosen the M6 x 30 securing screw ③.
2. With the assistance of another person, lift the screen, complete with Screen Arms attached, and hook arms over the top fold of the Back Plate, making sure that the screen is centrally located. See exploded view at top of page 1 of 2.
3. Allow screen to rest and re-tighten M6 x 30mm securing screw, ensuring that it grips against Back Plate bottom fold.
4. Connect and secure power/audio/video cable to complete the installation.



M10 X 25 HEX
HEAD SCREW

