



See overleaf for
alternative instructions

PLASMA DISPLAY FLAT WALL MOUNT - A

Ref: **UNICOL PLX**
Patent Pending, Registered Design

This mount unit for most makes of Plasma displays provides flat to wall mounting. The unit can also be fitted to UNICOL Plasma Mount Sockets for mounting on Trolleys/Stands or from ceilings. The unit comes in 2 parts, Plasma Plate and Back Plate.

Preparation

Detach the Plasma Plate from the Back Plate by locating the 4 M8 x 25 cross head screws located at either end of the unit. Loosen the 4 screws sufficiently in order to be able to detach the two parts. Do not completely remove.

Wall Fixing

Using the 10mm dia holes and keyholes located in the Back Plate, screw the plate to a suitable wall or other load bearing vertical surface. Care should be taken to ensure that the Back Plate is installed level.

Secure installation of this unit is vital, fixing should normally be into walls of brick, masonry or concrete using expanding bolts or other reliable fastenings. Consult your builder or architect if in doubt.

Fixing to Plasma Mount Sockets

Align the Back Plate holes, at 150mm centres, with the Plasma Mount Socket and fix using the 4 x M10 x 25 Hex Head screws supplied.

Attaching the Plasma Plate

Remove any existing mounting screws from the Plasma fixing points ensuring that any plastic bushes fitted with the Plasma remain in situ. Discard existing screws (if fitted).

Align the Plasma Plate with the fixing points on the back of the Plasma display. An arrow shaped hole indicates the correct way up. Fully tighten the fixing screws.

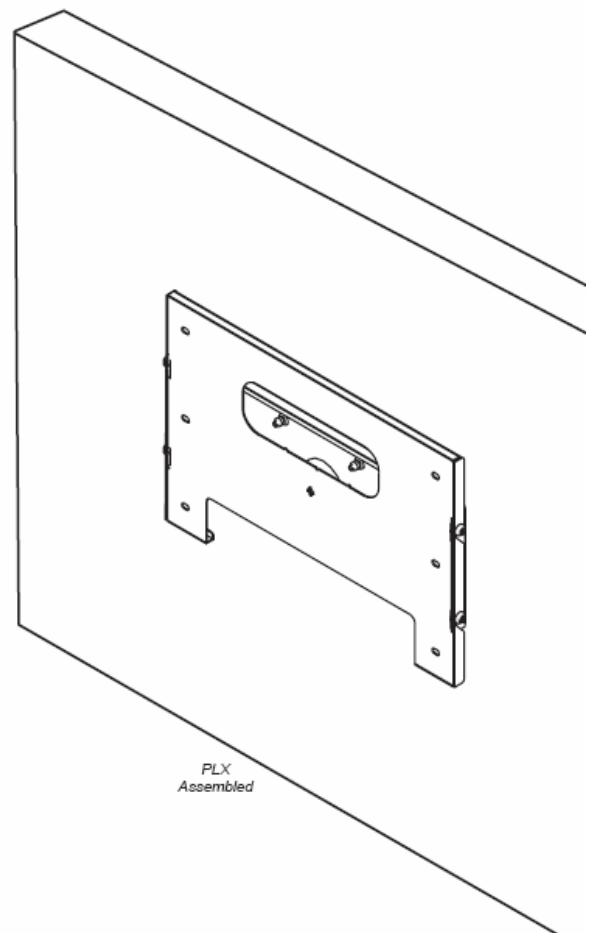
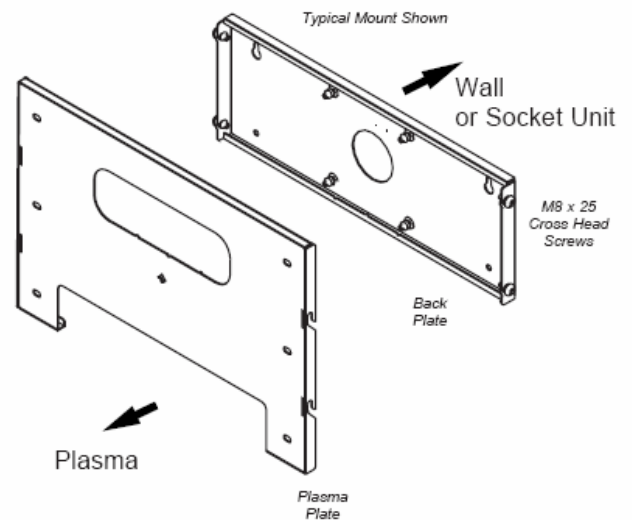
Installing the Plasma display into the Back Plate

The installing technician and an assistant should carefully lift the Plasma display unit with its Plasma Plate attached, onto the cross head screws at either end of the Back Plate. Tighten the cross head screws to complete the installation.

Parts List:

- Qty 1 x Plasma Plate
- Qty 1 x Back Plate
- Qty 4 x M8 x 25 Cross Head Screws
- Qty 4 Spacers
- Plasma Fixing screws (relevant to Plasma display)
- (Qty 4 x M10 x 25 Hex Head Screws when ordered for Plasma Mount Socket use)

UPLX702GEN



PLASMA DISPLAY FLAT WALL MOUNT - B

For Panasonic, Fujitsu, Samsung
and Toshiba Plasma Displays

This mount unit provides flat to wall mounting. The unit can also be fitted to UNICOL Plasma Mount Sockets for mounting on Trolleys/Stands or from ceilings. The unit comes in 2 parts, Plasma Plate and Back Plate.

Preparation

Detach the Plasma Plate from the Back Plate by locating the 4 M8 x 25 cross head screws located at either end of the unit. Loosen the 4 screws sufficiently in order to be able to detach the two parts.

Wall Fixing

Using the 10mm dia holes located in the Back Plate, screw the plate to a suitable wall or other load bearing vertical surface. Care should be taken to ensure that the Back Plate is installed level.

Secure installation of this unit is vital, fixing should normally be into walls of brick, masonry or concrete using expanding bolts or other reliable fastenings. Consult your builder or architect if in doubt.

Fixing to Plasma Mount Sockets

Align the Back Plate holes, at 150mm centres, with the Plasma Mount Socket and fix using the 4 x M10 x 25 Hex Head screws supplied.

Attaching the Plasma Plate

Remove any existing mounting screws from the Plasma display fixing points ensuring that any plastic bushes fitted with the Plasma remain in situ. Discard existing screws. Assemble the 2 parts of the Spacers by pushing one inside the other. Orientate the assembled Spacers so that the smaller diameter, thick part is pointing towards the back of the Plasma display (see diagram).

Place the 4 fixing screws through the 4 assembled Spacers and any bushes (if fitted) and **partially tighten** ensuring that a gap of 2mm remains in the Spacer. Fit the Plasma Plate by placing the large part of the key-hole slot over the Spacer and then sliding up to locate the small part of the key-hole slot in between the 2 parts of the Spacer. Fully tighten the 4 fixing screws.

Installing the Plasma display into the Back Plate

The installing technician and an assistant should carefully lift the Plasma display unit with its Plasma Plate fitted, onto the 4 M8 x 25 screws at either end of the Back Plate. Tighten all screws to complete the installation.

Parts List:

- Qty 1 x Plasma Plate
- Qty 1 x Back Plate
- Qty 4 x M8 x 25 Cross Head Screws
- Qty 4 2-part Spacers
- Plasma Fixing screws (relevant to Plasma display)
- (Qty 4 x M10 x 25 Hex Head Screws when ordered for Plasma Mount Socket use)

UPLX702PFST2

