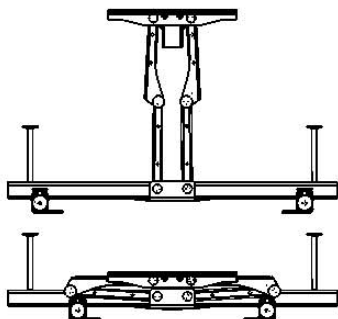


INSTALLATION INSTRUCTIONS

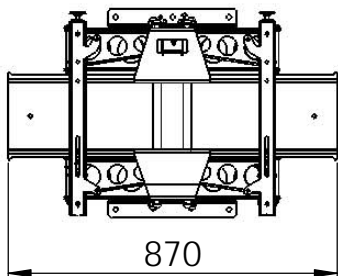
BOM Table

NO	Description	QTY.
1	Top Wall Bracket	1
2	Lower Wall Bracket	1
3	Screen Mount Rail	1
4	Left Screen Arm Heavy Duty	1
5	Right Screen Arm Heavy Duty	1
6	Sprung Catch	1
7	Depth adjust scw	2

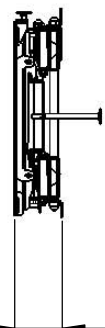
Fully open



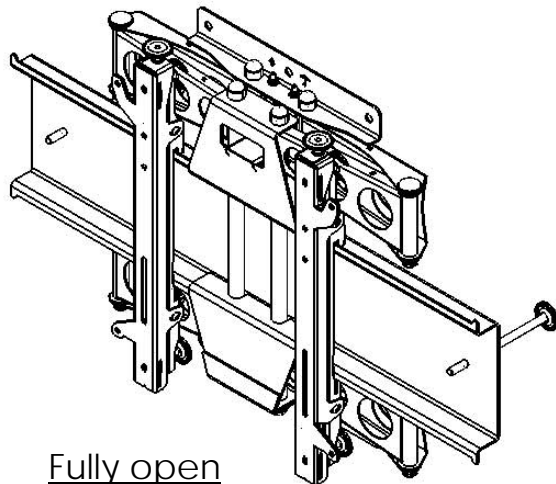
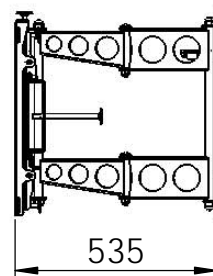
Closed



Closed



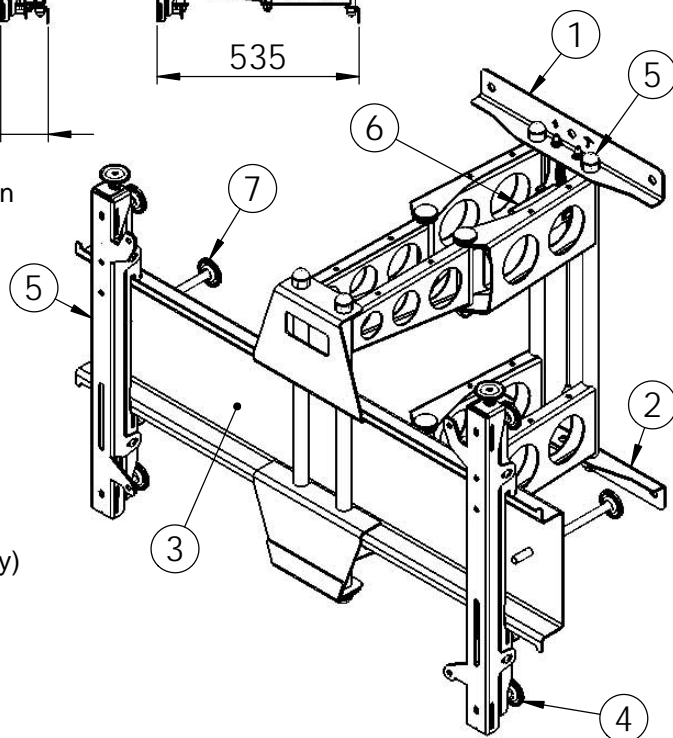
Fully open



WARNING:

Ensure wall fixings are suitable for the load imposed by the mount and screen

1. Mark out position of fixing points on wall taking into consideration the required fixing position of screen.
2. Fix wall plates items ① & ② to wall using suitable fixings. (Fixings not supplied)
3. Route cables to approximate location avoiding any trap points.
4. Fit arms, items ⑤ & ④ to screen. Hook screen onto screen mount rail ③ and secure with clip at bottom rear of arm and centralise screen.
5. Adjust depth screws ① left and right so that they meet the wall but still allow the catch to work. This prevents the screen from moving when touched on far left and right points (touch screen only)
6. Use adjuster screws on arms ⑤ & ④ to finely tune final position of screen
7. Fix cables in position using suitable ties and ensure swing arm moves through full range without trapping cables.



Inspect the unit before installing

Warning: Watch for pinch points. Do not put your fingers between moveable parts. Do not tamper with or dis-assemble any spring loaded items.

1. Carefully inspect the unit for shipping damage. If any damages apparent, call Unicol on number below.
2. Lay out components to ensure you have all the required parts before proceeding (see parts list).

Caution: To prevent damage to the unit, study all instructions and illustrations before you begin the installation. Failure to do so could render the warranty for the unit and the equipment that attaches to it null and void. Pay particular attention to the "warnings" displayed in these instructions.

We recommend installation by a qualified tradesperson. If you have any questions about the installation, contact Unicol, (uk +44 (0) 1865 767676) (europe +49 (0) 9131 9405 8013).