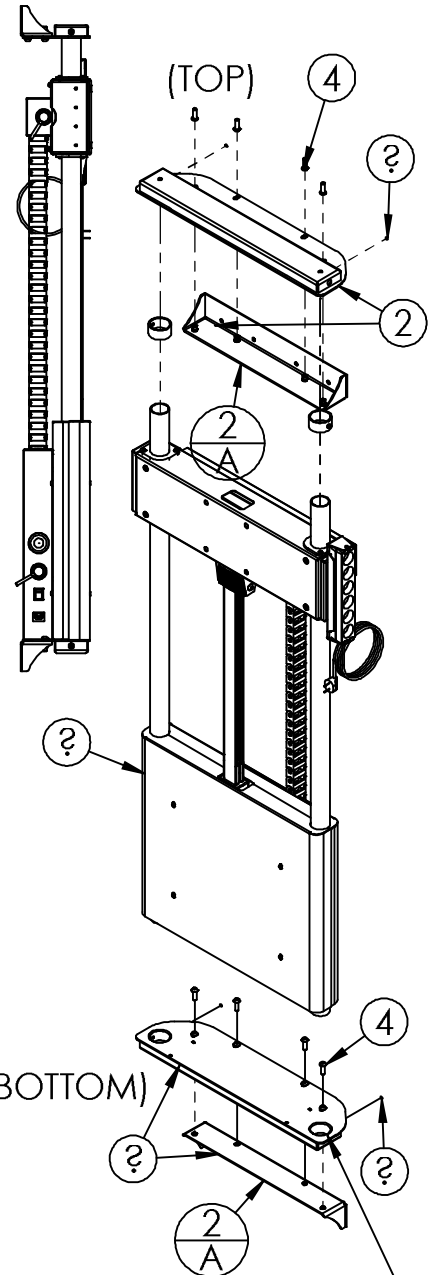
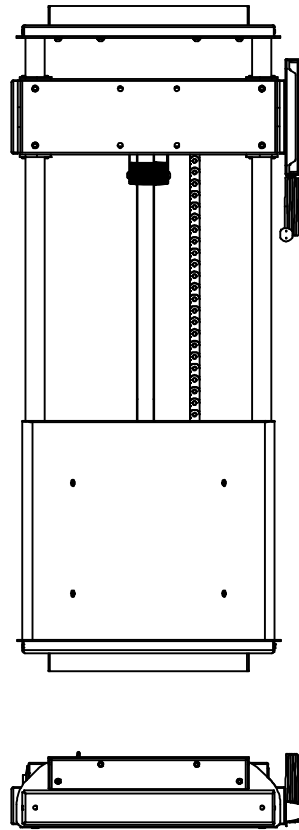
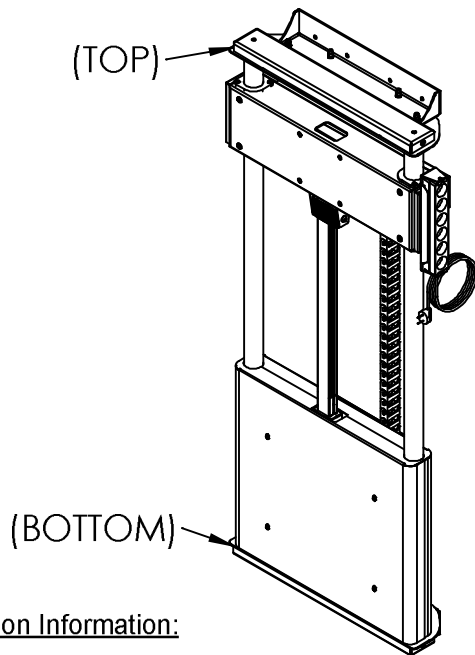


INSTALLATION INSTRUCTIONS

Parts List			
ITEM NO.	PART NUMBER	Description	QTY.
1	ASS--20031108	Powalift 700 Stoke Actuator Assembly	1
4	-	M10 x 30 Socket Button Head Cap Screw	8



Suggested Installation Information:

1. Position bottom Powalift Wall Mount Bracket (2) noting the orientation of each part according to the diagram. When desired mounting position is found mark and drill using holes in wall mounting part of Powalift Wall Mount Bracket (2/A). Fix (2/A) to wall using suitable fixings (not supplied).

1. Place Powalift Wall Mount Bracket (2) onto top of Powalift 700 Actuator Assembly (1) as shown in diagrams. Note Orientation of components that make up Powalift Wall Mount Bracket (2) for top usage. Nip up column securing screws (4).

2. Place into the Powalift Wall Mount Bracket (2) which is fixed to the wall. Mark hole positions using (2/A). Remove assemblies then drill and fix (2/A) using suitable fixings (not supplied).

Floor Bolt Down
Use 10mm holes in bottom of sockets for floor bolt down preference. Part (2/A) not needed at bottom in floor bolt down.

Inspect the unit before installing

Warning: Watch for pinch points. Do not put your fingers between moveable parts. Do not tamper with or dis-assemble any spring loaded items.

- Carefully inspect the unit for shipping damage. If any damages apparent, call Unicol on number below.
- Lay out components to ensure you have all the required parts before proceeding.

Caution: To prevent damage to the unit, study all instructions and illustrations before you begin the installation. Failure to do so could render the warranty for the unit and the equipment that attaches to it null and void. Pay particular attention to the "warnings" displayed in these instructions.

We recommend installation by a qualified tradesperson. If you have any questions about the installation, contact Unicol, (uk +44 (0) 1865 767676) (europe +49 (0) 9131 9405 8013).