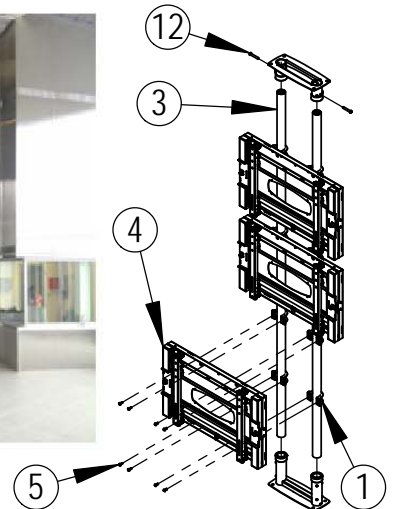


INSTALLATION INSTRUCTIONS

PARTS LIST	
ITEM NO.	DESCRIPTION
1	U-CLAMP
2	TWIN CEILING PLATE
3	COLUMN
4	STANDARD ADAPTA-WALL MOUNT
5	M8X20 SOCKET BUTTON HEAD
6	QUAD CEILING PLATE
7	WALL PLATE
8	TIE BRACES (PAIR)
9	LOCKING RING
10	TWIN FLOOR PLATE
11	QUAD BASE UNIT
12	0.375X2.5" SOCKET BUTTON HEAD BOLT

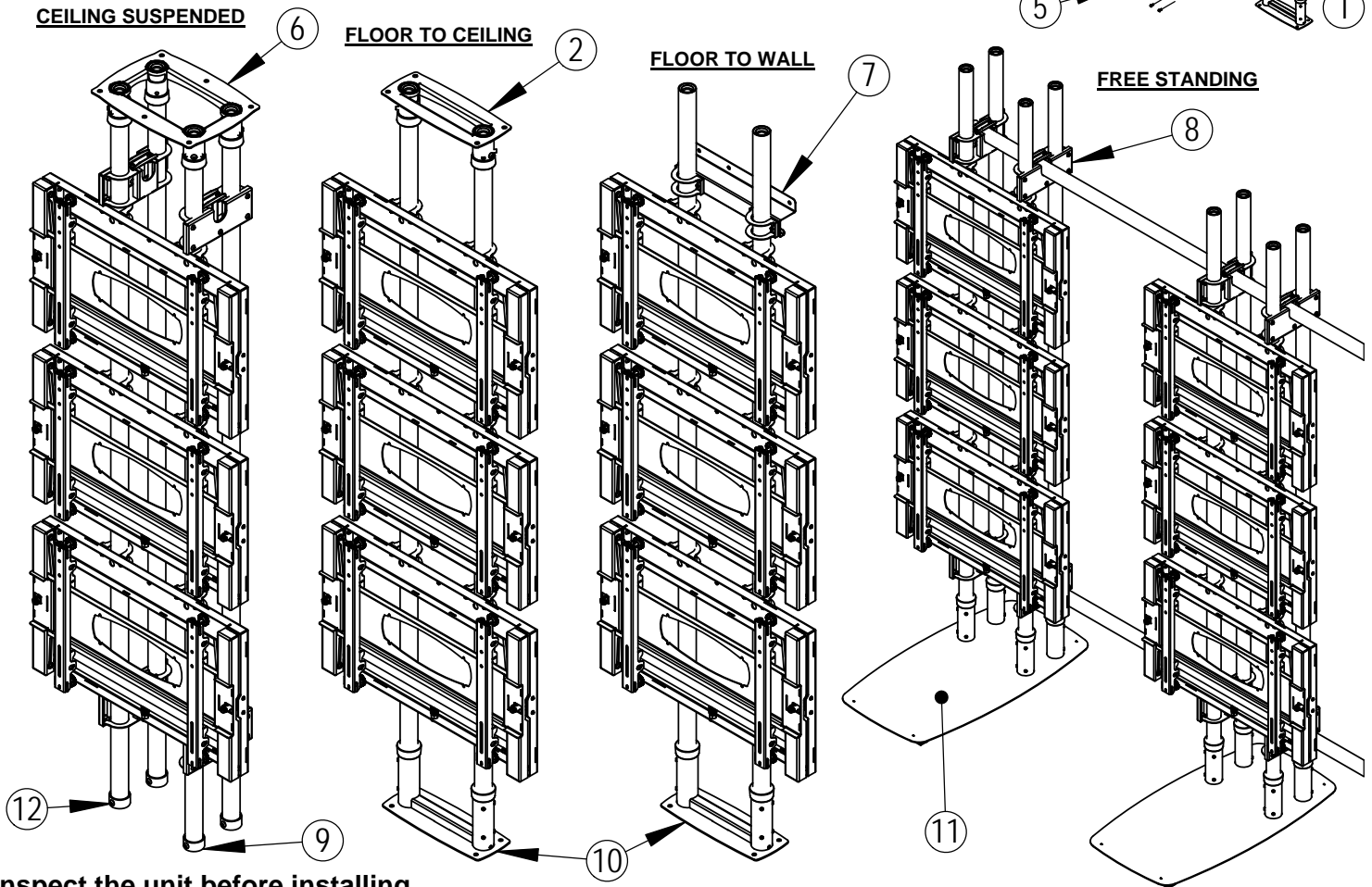


CEILING SUSPENDED

FLOOR TO CEILING

FLOOR TO WALL

FREE STANDING



Inspect the unit before installing

Warning: Watch for pinch points. Do not put your fingers between moveable parts. Do not tamper with or dis-assemble any spring loaded items.

1. Carefully inspect the unit for shipping damage. If any damages apparent, call your carrier claims agent and do not continue with the installation until the carrier has reviewed the damage.

2. Lay out components to ensure you have all the required parts before proceeding (see parts list).

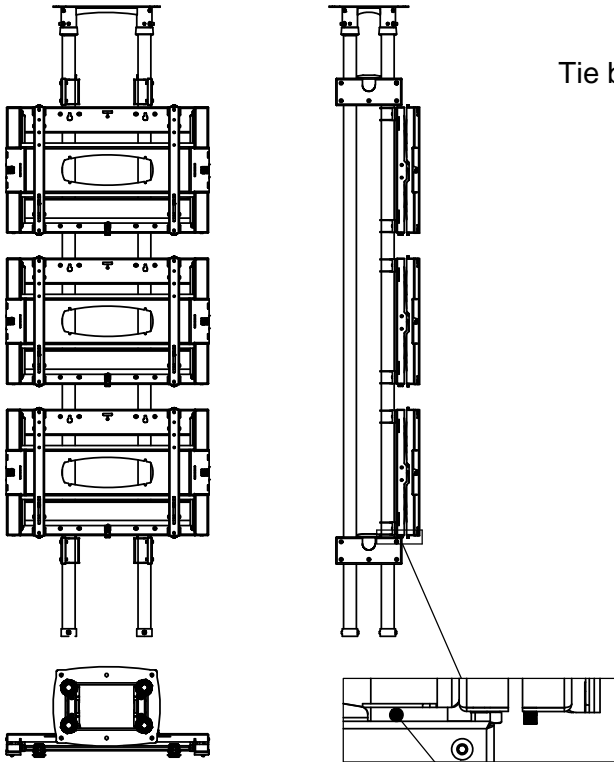
Caution: To prevent damage to the unit, study all instructions and illustrations before you begin the installation. Failure to do so could render the warranty for the unit and the equipment that attaches to it null and void. Pay particular attention to the "warnings" displayed in these instructions.

We recommend installation by a qualified tradesperson. If you have any questions about the installation, contact Unicol, (uk +44 (0) 1865 767676) (europe +49 (0) 9131 9405 8013).

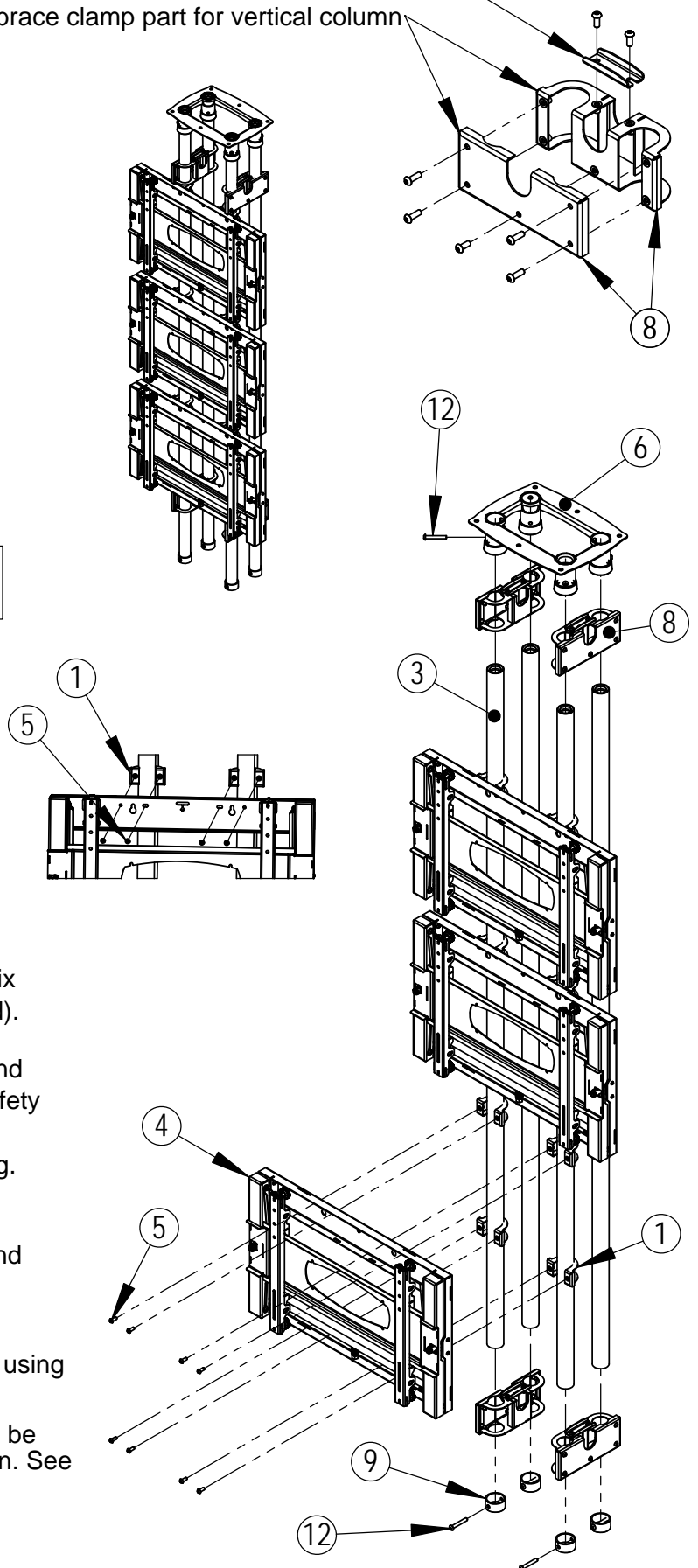
INSTALLATION INSTRUCTIONS

Tie brace clamp part for horizontal column
(more than one column of screens)

Tie brace clamp part for vertical column

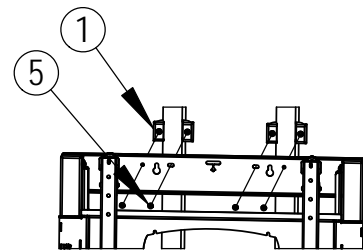
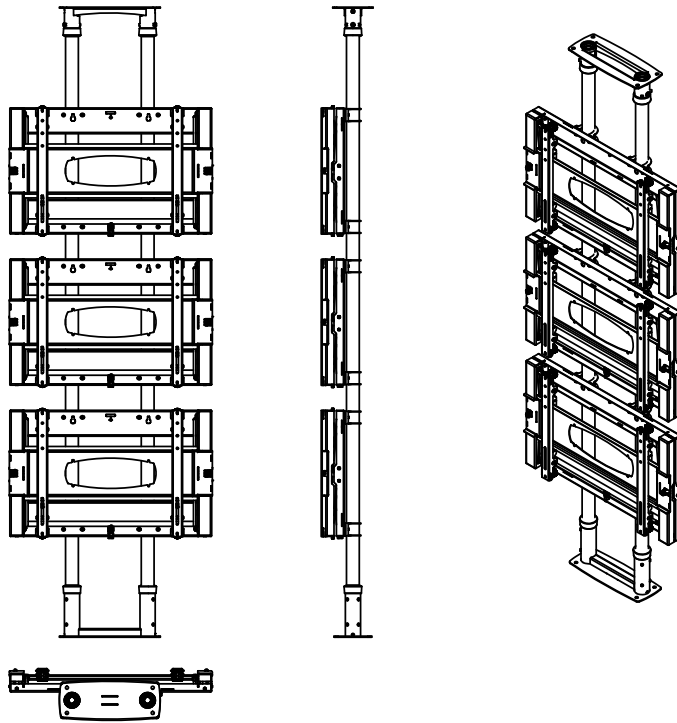


Gap between tie braces (8) and u-clamp (1) should be between 15mm and 30mm top and bottom.

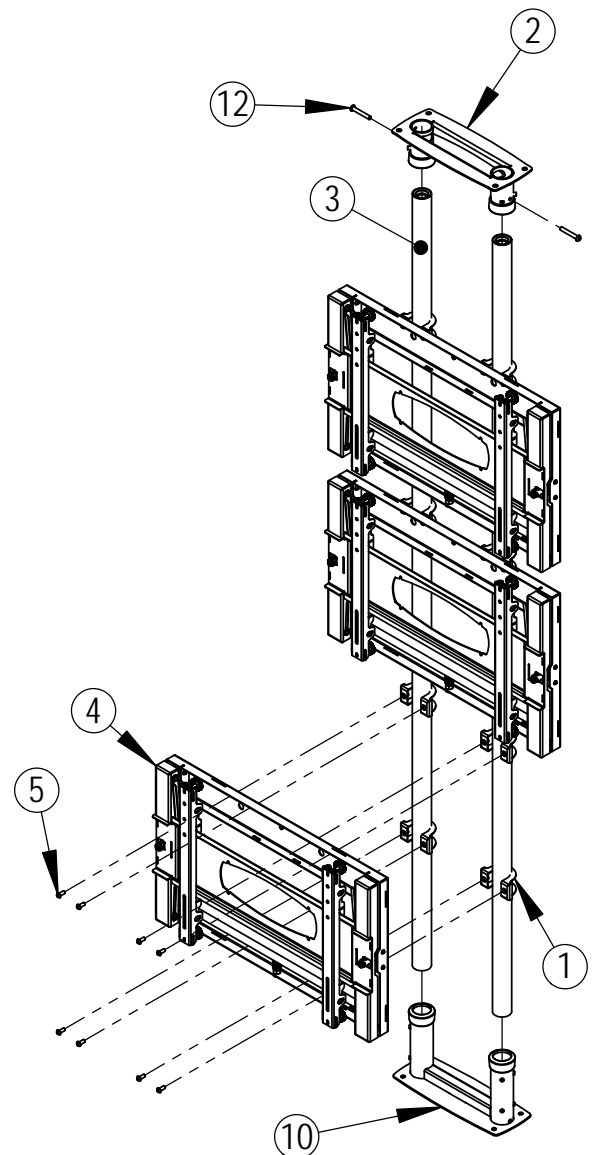


1. Fix quad ceiling plate (6) in desired location. Fix using suitable anchors and fixings (not supplied).
2. Fit locking ring (9) to bottom of each column and secure with safety through bolt. Caution: the safety through-bolt (12) must be fitted so that it passes through the holes in the column and locking ring.
3. Fit tie braces (8) at both ends columns (3) in orientation shown in exploded view. Quantity and positions variable depending on structure's parameters.
4. Mount adapta-wall mounts (4) to u-clamps (1) using (5). Vertical distances between mounts will be defined by using supplied templates. These will be manufactured to correspond with chosen screen. See adapta-wall mount assembly drawing.

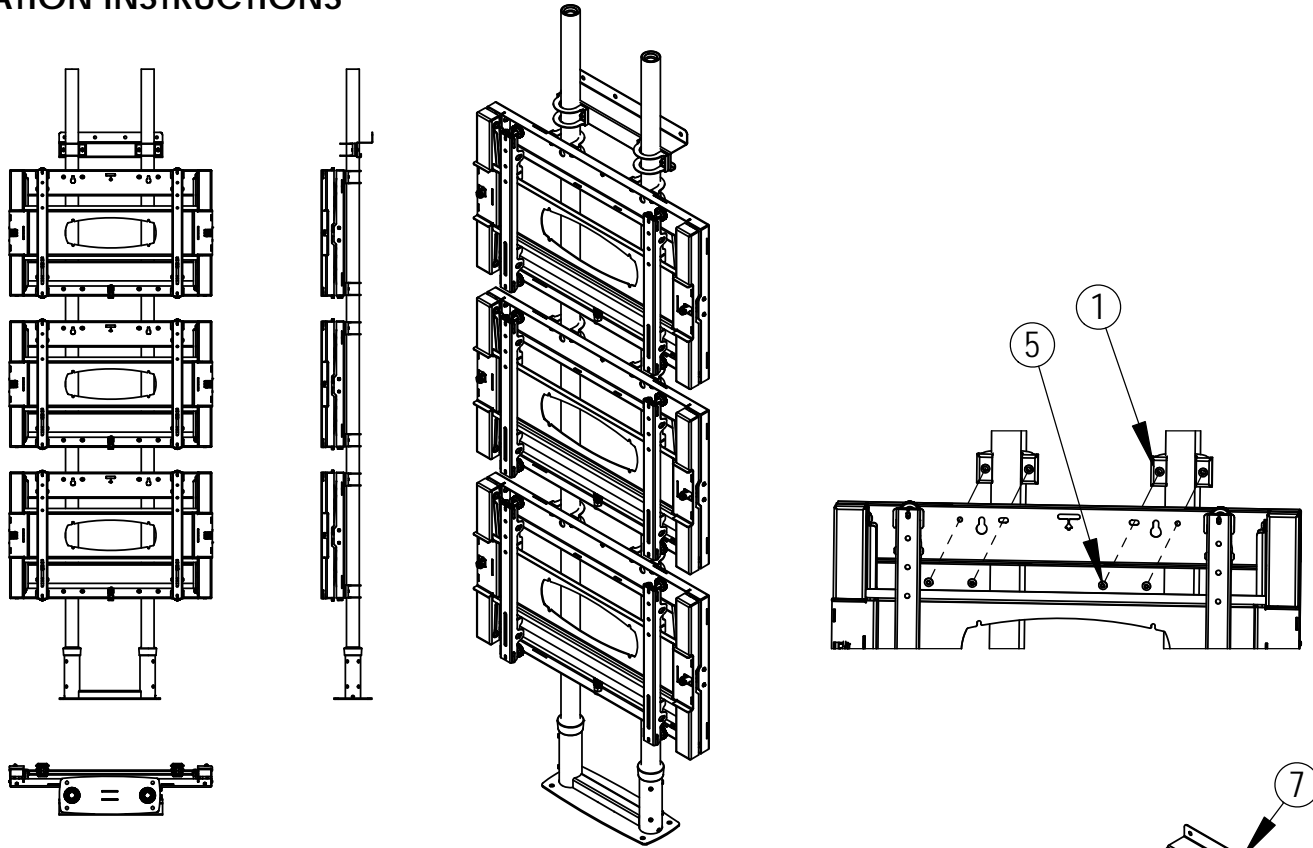
INSTALLATION INSTRUCTIONS



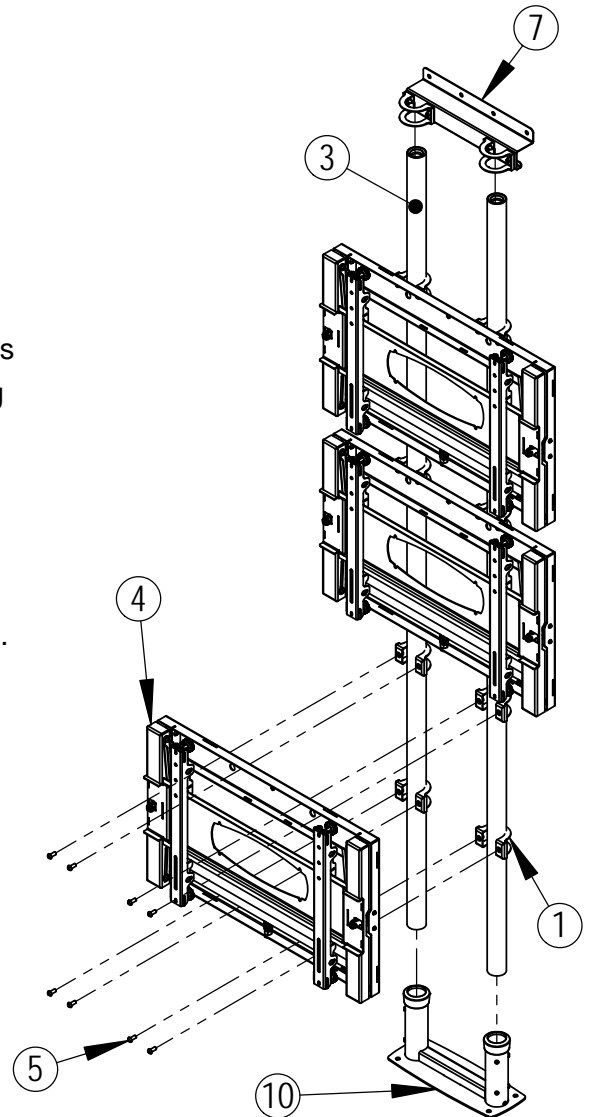
1. Mark twin floor plate (10) mounting holes in desired final location and orientation. Then on the floor, or work bench, place columns (3) into floor plate (10) and secure with grub screws. Push columns into twin floor plate (10) until they stop.
2. Slot the twin ceiling plate (2) onto to columns until it stops. This will keep columns parallel when mounting adapta-wall mounts (4) to u-clamps (1). Secure with grub screws and safety through bolt (12). **Caution:** the safety through-bolt (12) must be fitted so that it passes through the holes in the column and sockets.
3. Mount adapta-wall mounts (4) to u-clamps (1) using (5). Vertical distances between mounts will be defined by using supplied templates. These will be manufactured to correspond with chosen screen. See adapta-wall mount assembly drawing. If possible, lay assembly horizontally. This makes mounting adapta-wall mounts (4) easier.
4. Position assembly upright and fix twin floor plate (10) in desired location. Fix using suitable anchors and fixings (not supplied).
5. Undo twin floor plate (10) grub screws and slide up twin ceiling plate (2) to meet ceiling surface. Fix to ceiling using suitable anchors and fixings (not supplied). Fully tighten all grub screws (ceiling and floor sockets) onto columns.



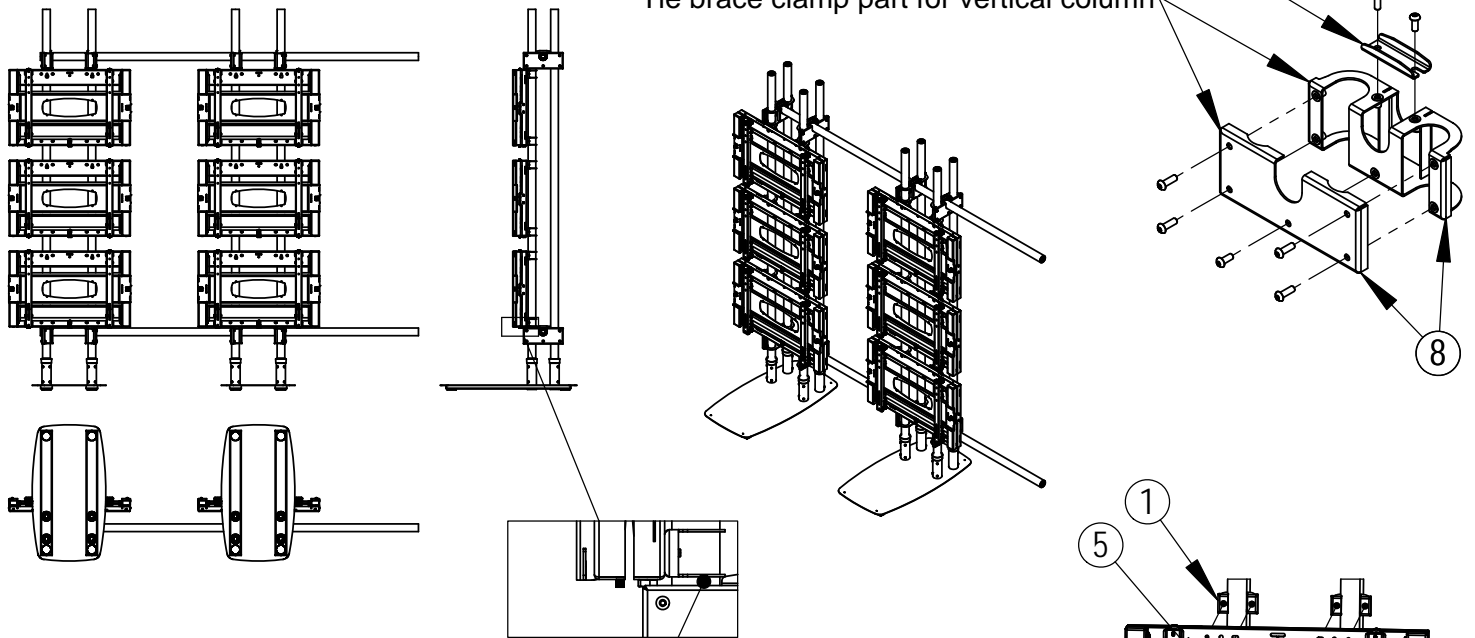
INSTALLATION INSTRUCTIONS



1. Mark twin floor plate (10) mounting holes in desired final location. Then on the floor, or work bench, place columns (3) into floor plate (10) and secure with grub screws. Bottom of column flush with bottom face of twin floor plate (10).
2. Slot the wall plate (7) onto to columns. Lightly tighten u-clamps (1) to prevent plate (7) from sliding down columns whilst lifting columns upright. This will also help to keep columns parallel when mounting adapta-wall mounts (4) to u-clamps (1)
3. Mount adapta-wall mounts (4) to u-clamps (1) using (5). Vertical distances between mounts will be defined by using supplied templates. These will be manufactured to correspond with chosen screen. See adapta-wall mount assembly drawing. If possible, lay assembly horizontally. This makes mounting adapta-wall mounts (4) easier.
4. Fix twin floor plate (10) in desired location. Fix using suitable anchors and fixings (not supplied).
5. Slot columns into twin floor plate (10) and secure with grub screws.
6. Adjust position of wall plate (7) on columns (3) to desire location and fix in place suitable anchors and fixings (not supplied). Ensure columns are vertical.
7. Ensure all clamps and grubs screws are fully tightened.



INSTALLATION INSTRUCTIONS



Gap between tie braces (8) and u-clamp (1) should be between 15mm and 30mm top and bottom.

1. Place all columns (3) into quad base units (12) and secure with grub screws.
2. Fit lower tie braces (8) to columns in orientation shown in exploded view. Lightly fit upper tie braces (8) as they may have to be adjusted later.
3. Fit horizontal columns to (8) and lightly clamp. This is to hold structure in place whilst final positions are found. Doing this will also provide stability during the step 3.
4. Mount adapta-wall mounts (4) to u-clamps (1) using (5). Vertical and horizontal distances between mounts will be defined by using supplied templates. These will be manufactured to correspond with chosen screen. See adapta-wall mount assembly drawing.
5. Once final positions have been found ensure all clamps are fully tightened.

