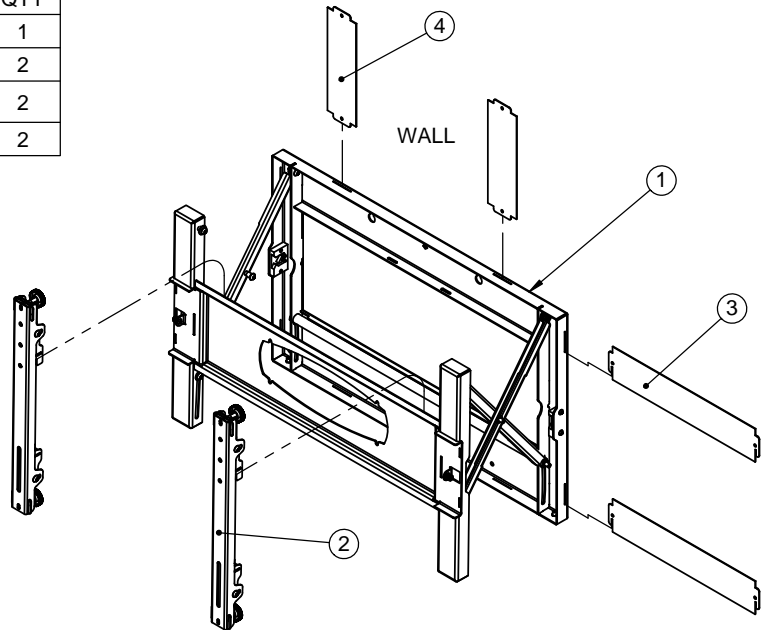


## INSTALLATION INSTRUCTIONS

PARTS LIST		
ITEM NO.	DESCRIPTION	QTY
1	POP-OUT WALL ASSEMBLY	1
2	ADJUSTABLE SCREEN ARMS	2
3	HORIZONTAL TEMPLATE SPACER (WITH SLOT)	2
4	VERTICAL TEMPLATE SPACER (NO SLOT)	2



**WARNING:** Ensure the structure that you are attaching the wall assembly to is capable of taking 5 x the load of the video wall including all peripherals.

**NOTE:** We recommend the use of a laser level to plot the horizontal datum (lines) to ensure perfect set up of the rows and columns of screens to be installed. Templates are provided to ensure the correct spacing of the mounts for the specific screen you are using.

### Installing pop-out wall assembly

1. Mark and drill first mount location (see hole centre details overleaf). locate pop-out wall assembly (1) and fix using suitable anchors and fixings (not supplied).
2. Decide whether to install other wall assemblies horizontally or vertically. When mounting horizontally locate the 2x horizontal templates (3) and locate into the slots in the sides of the fixed wall assembly (1) and into the next wall assembly, ensuring the assembly is level. Mark and drill as before. continue this operation for the horizontal line of screens.
3. To install the wall assemblies, vertically locate the 2 x vertical templates (4) and drop into the slots on the top of the fixed wall assembly (1) and into the bottom of the next wall assembly above, ensuring the assembly is level. Mark and drill as before. Continue the two operations using the templates to build up the video wall.
4. To install pop-out wall mount to column mounting system, refer to "Adapta wall - video wall structure system - ceiling suspended - floor to wall - free standing" installation drawing.

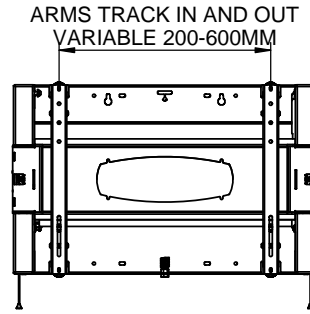
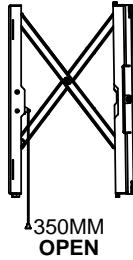
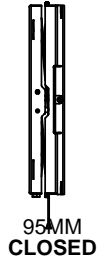
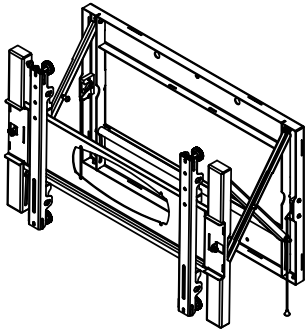
### INSTALLING ADJUSTABLE ARMS

5. Fix the 2 arms (2) to your screen using the fixings supplied. Lift the screen onto the rail of the wall assembly as shown in exploded view above.

### ADJUSTING SCREENS

6. See diagram of arms on page 3 of 3. There is adjustment for each screen in all planes - side to side, up & down, in & out. To ensure there is enough adjustment across the array of screens we recommend temporarily hanging the 4 corners first and checking that these screens can be levelled. If a wall is out of true where there is not enough adjustment it may be necessary to pack out the wall assemblies.
- 7.

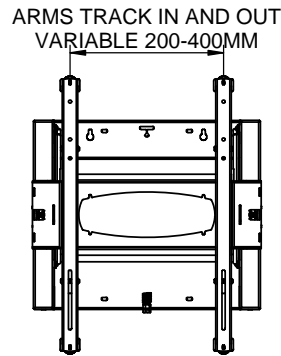
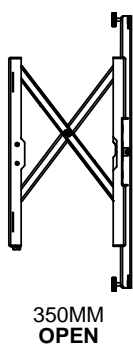
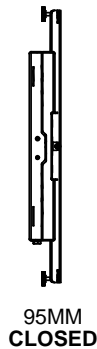
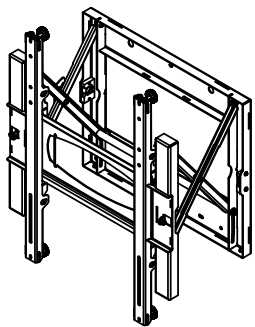
## INSTALLATION INSTRUCTIONS



### ADAPTA-WALL STANDARD

FITS VESA  
200X200MM  
300X300MM  
400X400MM  
600X400MM

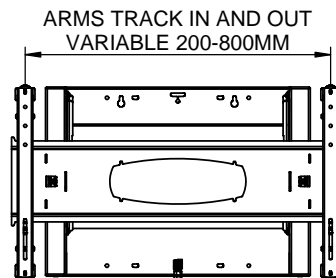
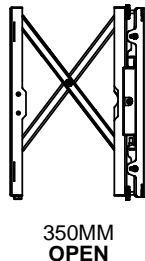
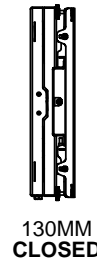
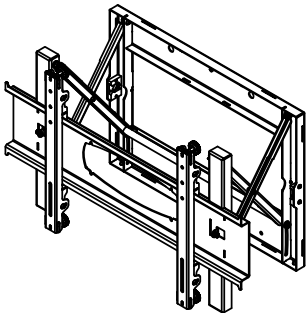
(AND ANYTHING IN BETWEEN)



### ADAPTA-WALL STANDARD

FITS VESA  
200X200MM  
300X300MM  
400X400MM  
400X600MM

(AND ANYTHING IN BETWEEN)



### ADAPTA-WALL STRETCHED

FITS VESA  
200X200MM  
300X300MM  
400X400MM  
600X400MM  
800X400MM

(AND ANYTHING IN BETWEEN)

## INSPECT THE UNIT BEFORE INSTALLING

**WARNING:** Watch for pinch points. Do not put your fingers between movable parts. Do not tamper with or dis-assemble.

1. Carefully inspect the mount for shipping damage. If any damage is apparent, call your carrier claims agent and do not continue with the installation until the carrier has reviewed the damage.

**NOTE:** Read all instructions before starting the installation.

2. Lay out components to ensure you have all the required parts before proceeding (see parts list on page 2).

**CAUTION:** To prevent damage to the mount study all instructions and illustrations before you begin the installation. Failure to do so could render the warranty for the equipment null and void. pay particular attention to the "warnings" displayed in these instructions.

The maximum weight of screen to be installed on this mount is 45 kg (99 lb)

The mount is designed to be installed onto walls or other unicol structures. the structure to which the mount is anchored must be capable of supporting five times the total weight of the assembled mounts and all attached equipment that make up the complete video wall. we recommend installation by a qualified tradesperson, using masonry plugs or other reliable fixings to ensure safe installation. consult your builder or architect if in doubt.

if you have any questions about the installation, contact unicol +44 (0) 1865 767676.

## INSTALLATION INSTRUCTIONS

