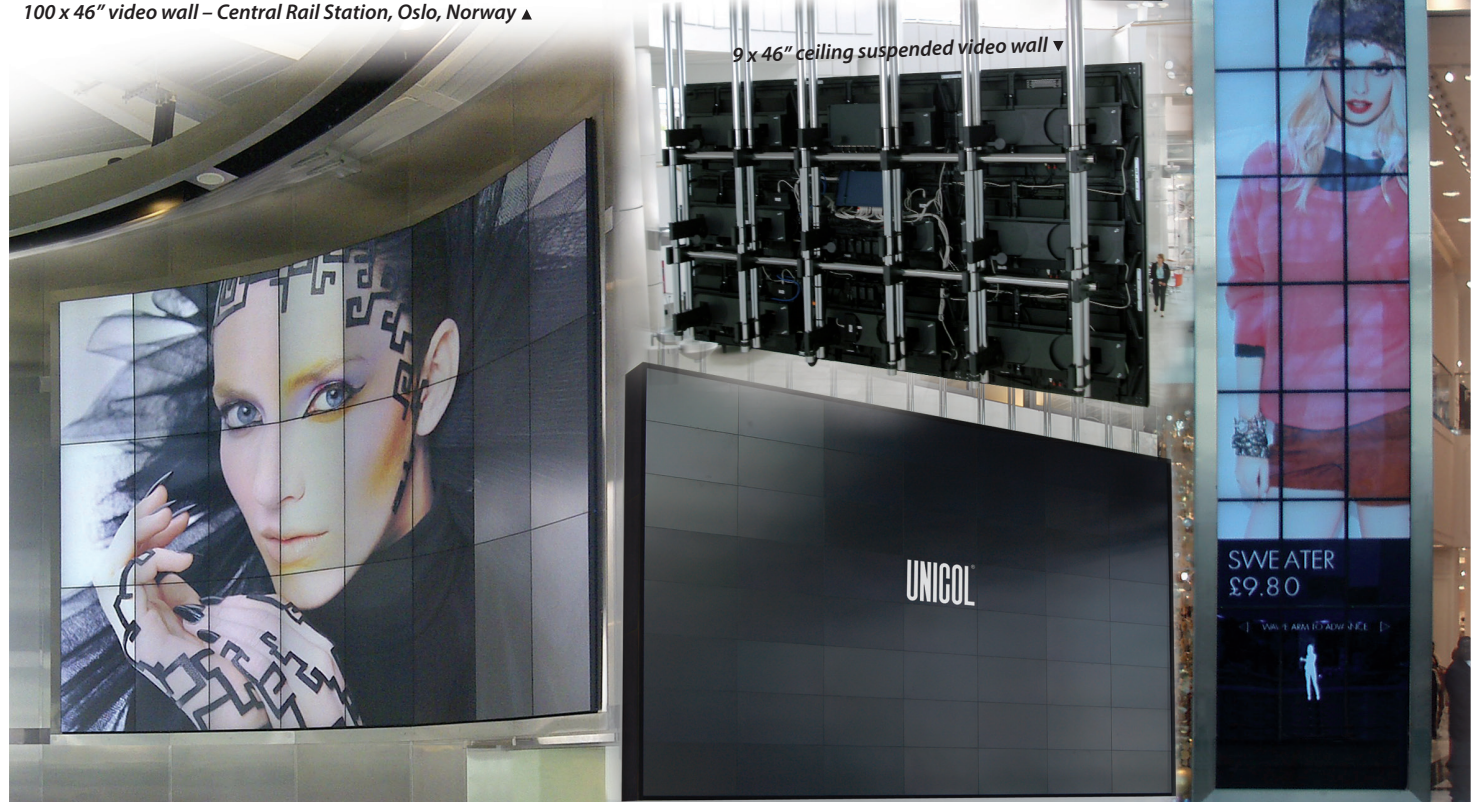


The installer friendly 'push to close' - 'push to open' mount with unique features

- * Gentle 'Pop out' action allows screen to emerge clear of adjacent units for easy set-up and access.
- * Accommodates widest range of screen fixings; VESA 200 x 200 to 800 x 400mm.
- * Easy screen adjustment in all planes
- * Spacer templates included for easy installation – state make & model of screen
- * Integrates with our Adapt-Wall structure system for free-standing, ceiling or mobile applications.
- * Closing pressure adjustable for different screen types.
- * Optional 'pull cord' secure latching feature prevents unauthorised 'Pop out' operation in any situation required.
- * For screens up to 45Kg



100 x 46" video wall – Central Rail Station, Oslo, Norway ▲



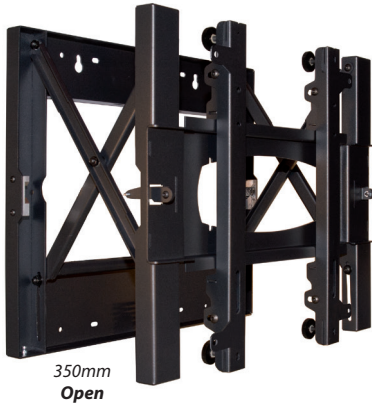
9 x 46" ceiling suspended video wall ▼

24 x 55" portrait curved video wall – Emirates Air Line cable car, London

56 x 55" screen ceiling suspended video wall – Ahaus, Nord Rhein Westfalia, Germany

21 x 46" portrait video wall – Forever 21, Bull Ring, Birmingham

ADAPTA-WALL MOUNT VERSIONS



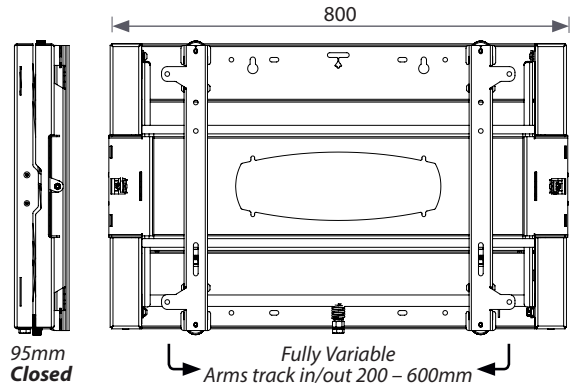
350mm
Open

Standard Version

Order Code
VWP1

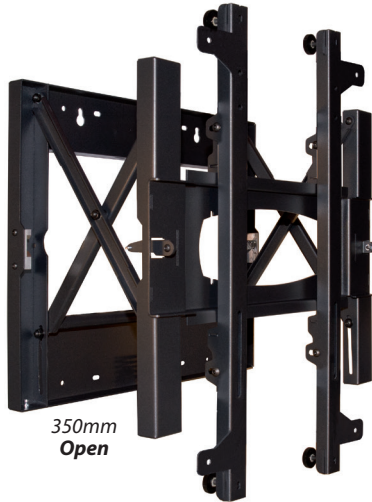
Ideal for most video wall applications and covering a wide range of VESA sizes. As with all Adapta-Wall mounts comes complete with fine adjustment features for accurate screen positioning.

Fits VESA
200 x 200mm
300 x 300mm
400 x 400mm
600 x 400mm
(and any screen fixings in between)



95mm
Closed

Fully Variable
Arms track in/out 200 – 600mm



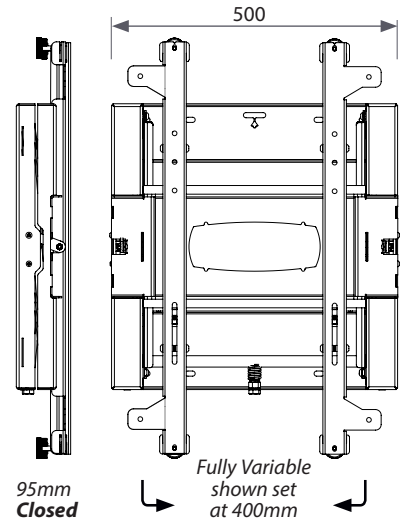
350mm
Open

Portrait Version

Order Code
VWP2

The compact (500mm) width of this version allows use of screens in portrait mode whilst accommodating a wide range of VESA sizes.

Fits VESA
200 x 200mm
300 x 300mm
400 x 400mm
400 x 600mm
(and any screen fixings in between)



95mm
Closed

Fully Variable
shown set at 400mm



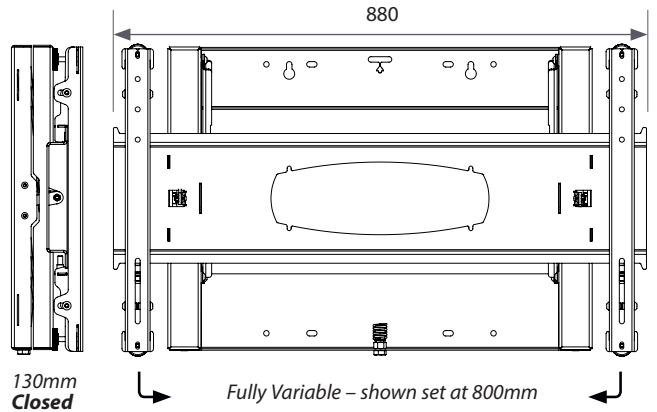
350mm
Open

Stretched Version

Order Code
VWP3

The extra width (880mm) of this version enables screens with VESA fixings of up to 800 x 400mm to be accommodated.

Fits VESA
200 x 200mm
300 x 300mm
400 x 400mm
400 x 600mm
400 x 800mm
(and any screen fixings in between)



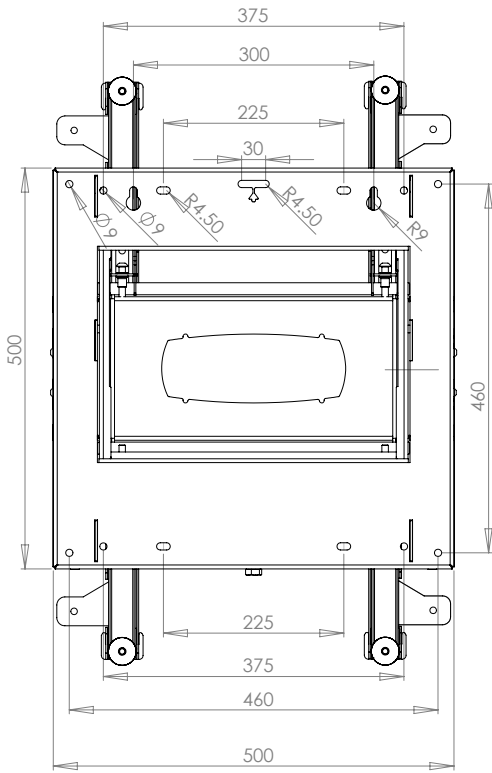
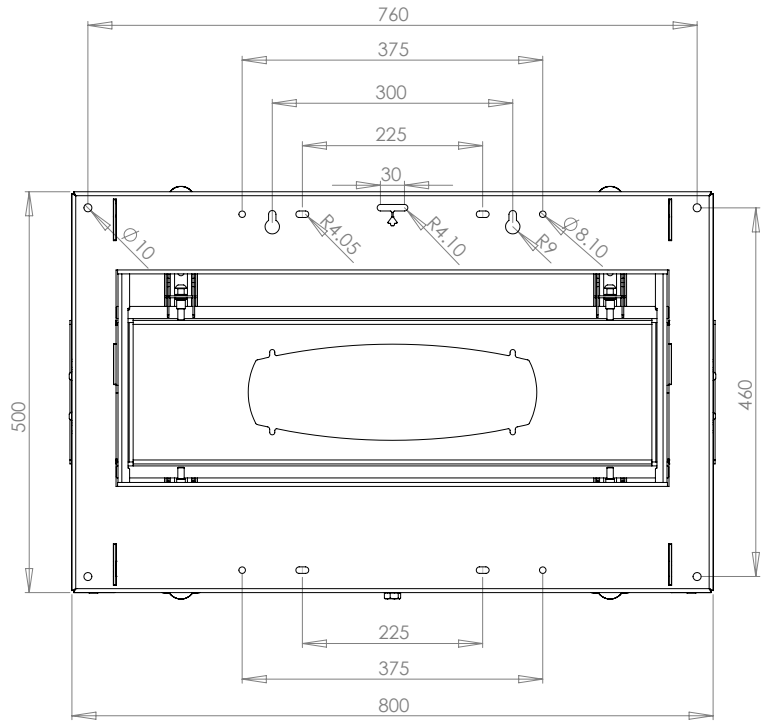
130mm
Closed

Fully Variable – shown set at 800mm

SPECIFICATION: WALL FIXING DETAIL

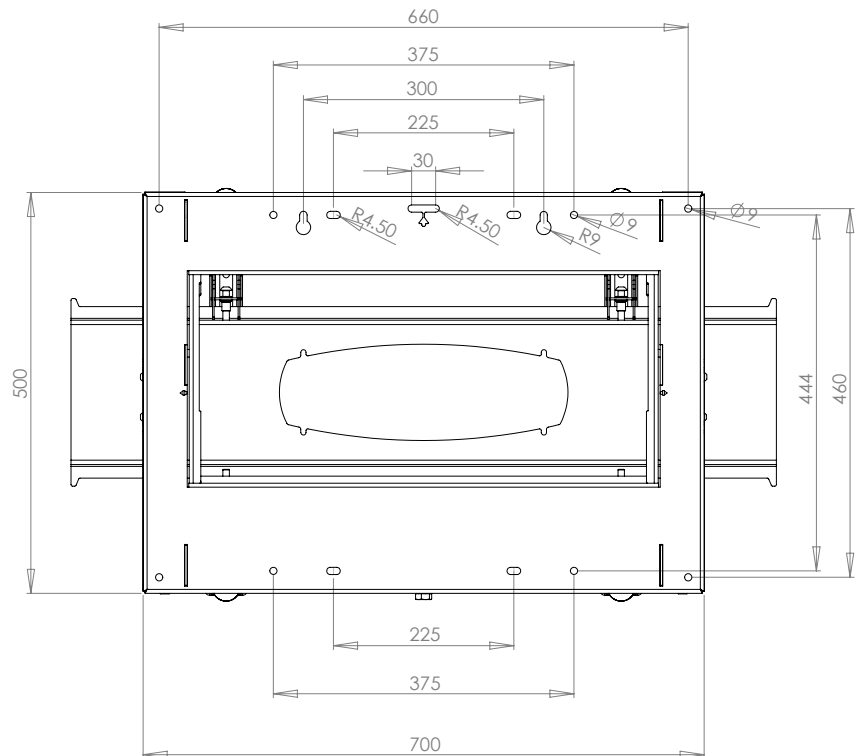
Standard Version

Order Code
VWP1



Portrait Version

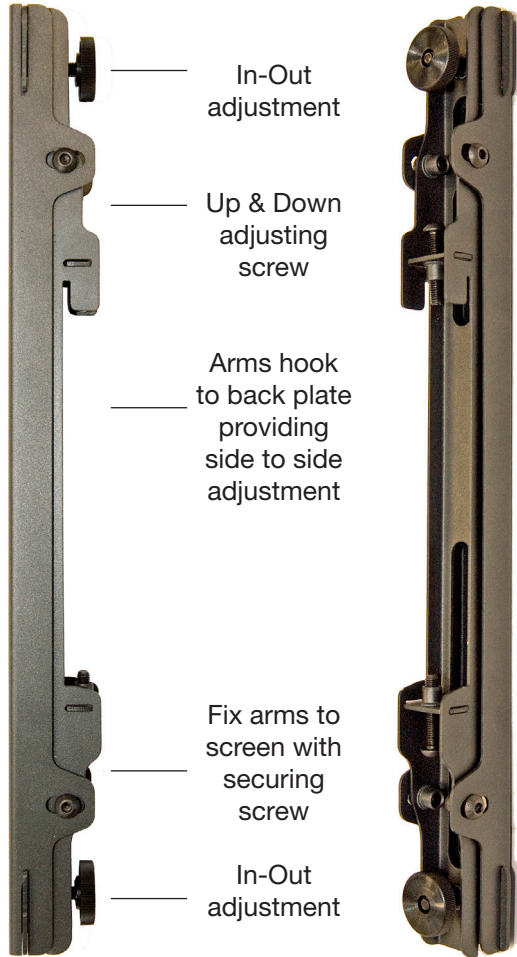
Order Code
VWP2



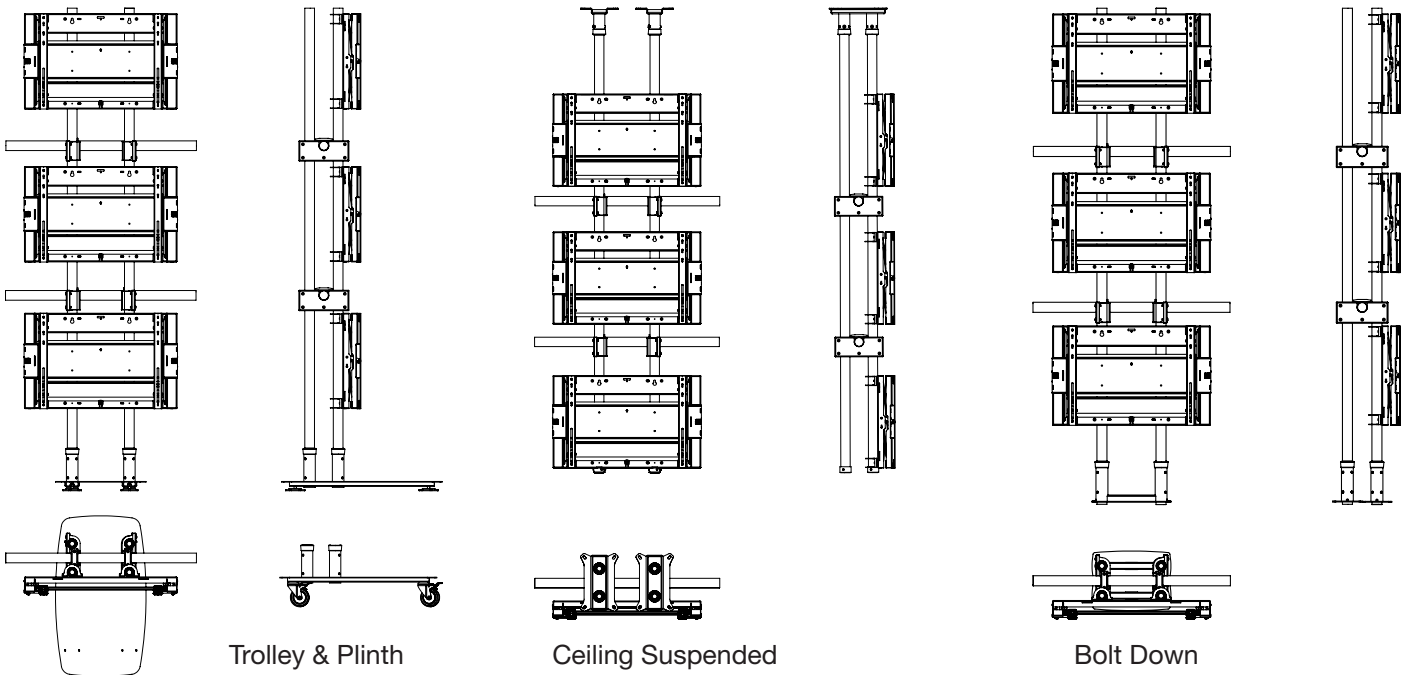
Stretched Version

Order Code
VWP3

Adjustable Arms



Shown below are single stacks of 3 screens on 2m columns in 3 different configurations. Stacks can be increased or decreased vertically or horizontally to suit requirements. The Adapta-Wall system is fully adaptable.



www.unicol.de

Issue:
VW1113

