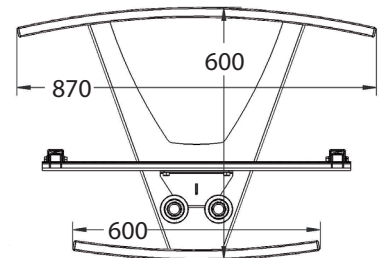
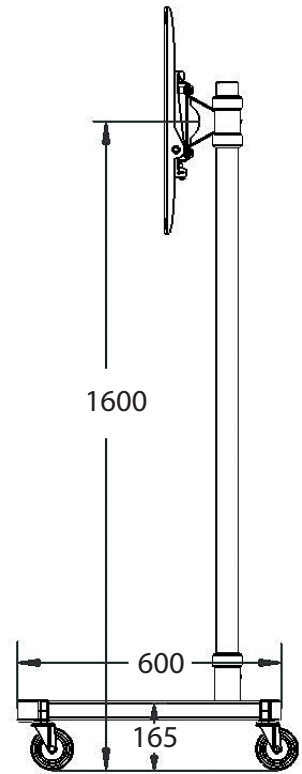


UNICOL®



The VS1000 is regarded as the 'work horse' of our industry. With their wide choice of interchangeable parts, easy assembly and sheer robustness, these units are the favoured choice of trade show, education, broadcast and AV users everywhere.

Accessories include glass or metal shelves, locking cabinets, video conferencing mounts and other items. Back to back versions available.



VS1000 Trolley

Height to centre of screen 160cm.
Glass or metal shelf optional extras.

Order Code

VSS-1500X2-PS2-PZX

(Standard model for screens up to 57")

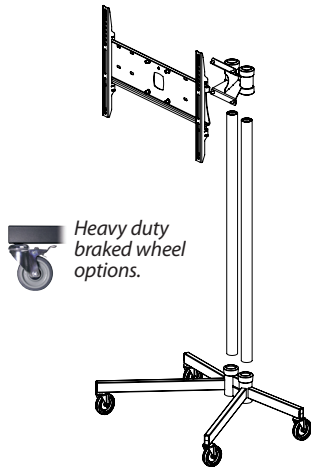
UNICOL Willi-Grasser-Str. 15 D-91056 Erlangen +49(0)9131 9405 800 info@unicol.de www.unicol.de



UNICOL®

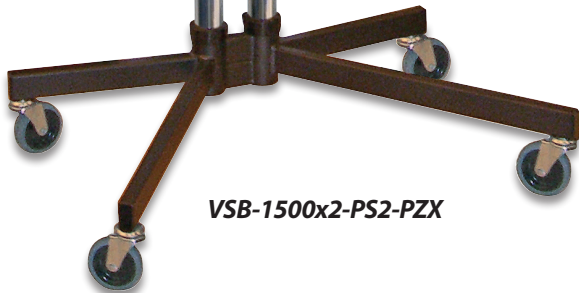


Height to centre of screen 1500mm

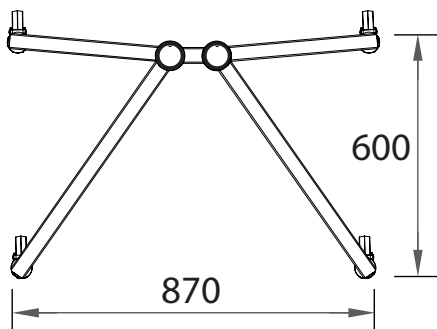


Heavy duty braked wheel options.

Standard VS1000 trolley with classic 'K' base



VSB-1500x2-PS2-PZX



Stand for single display on plinth base (shelf optional)



VSL-1500x2-PS2-PZX-VP1



Single display on bolt down base



VSF-1500x2-PS2-PZX



Scimitar base with optional locking cabinet



VSS-1500x2-PS2-PZX-VLC



Portrait back-to-back display on plinth base



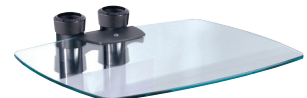
VSLBB-1500x2-PS8-PPZXx2



Locking Cabinet VLC



VP1 Metal shelf



VGS Glass shelf

VS1000 - Oct14

UNICOL Willi-Grasser-Str. 15 D-91056 Erlangen +49(0)9131 9405 800 info@unicol.de www.unicol.de

