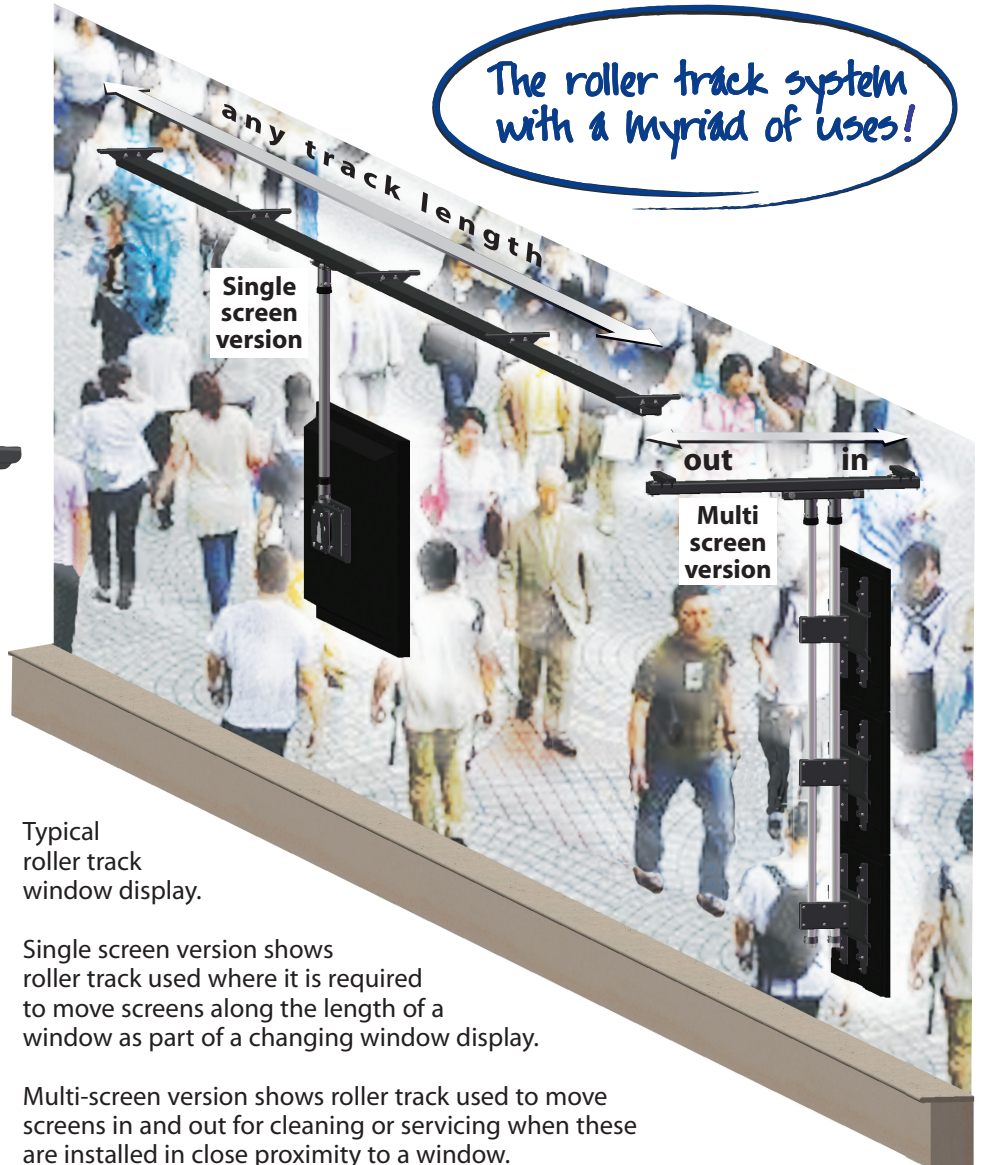


- * Smooth, easy operation
- * For single or multiple screens
- * Wide choice of track lengths
- * Swivel or Rotamount options
- * Use with Unicol mounts, column lengths & other accessories listed



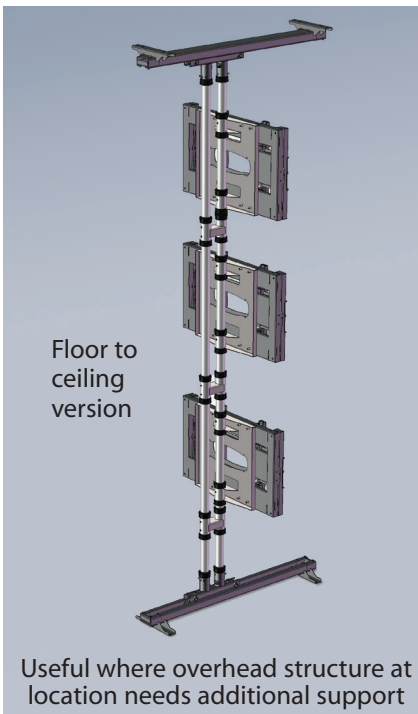
AV Roller Trak shown here with twin suspension columns for multi-screen use.



Typical roller track window display.

Single screen version shows roller track used where it is required to move screens along the length of a window as part of a changing window display.

Multi-screen version shows roller track used to move screens in and out for cleaning or servicing when these are installed in close proximity to a window.



Floor to ceiling version

Useful where overhead structure at location needs additional support

Ideal for retail and other applications to enable screens to be tracked in / out or from side to side, thus opening exciting possibilities for window displays, dynamic presentations, servicing needs or just access for screen / storefront cleaning.

AV Roller Trak system consists of track lengths of standardised design which carry smooth running ball bearing trolley units. Standard Unicol column lengths and screen mounts complete the installation which can be either ceiling suspended, floor to ceiling or floor fixed as a multi-track system.

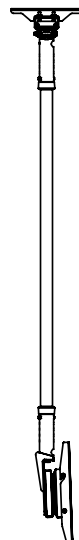
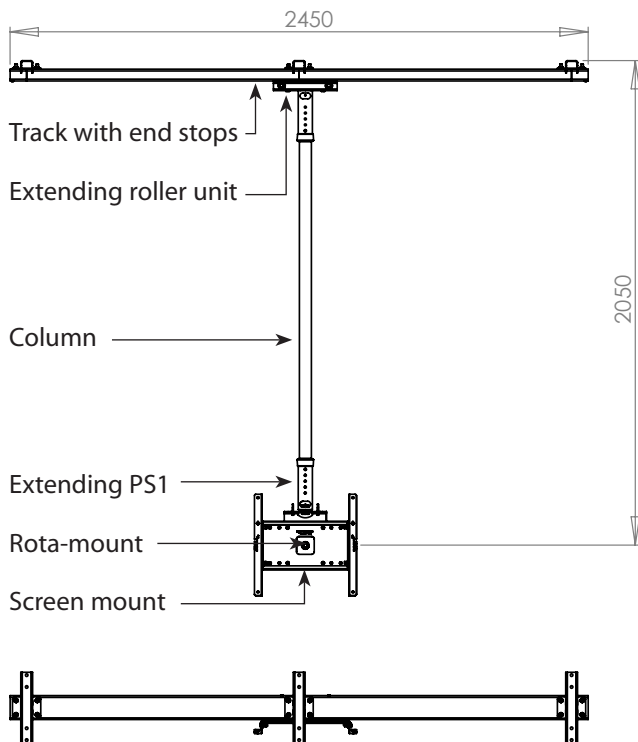




Multi-track system shown on test prior to video wall window installation



Roller Trak, Rota Mount & 65" screen



Typical ceiling suspension configuration shown.

The track length can be made to suit your requirements.

Choose from our many column sizes for the ideal screen height.

Adding a Rota-mount allows landscape or portrait screen viewing.

Single screens up to 70inch can be accommodated on the single column roller track version.

– Call us for full system details when planning your installation.

