

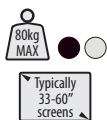
UNICOL®



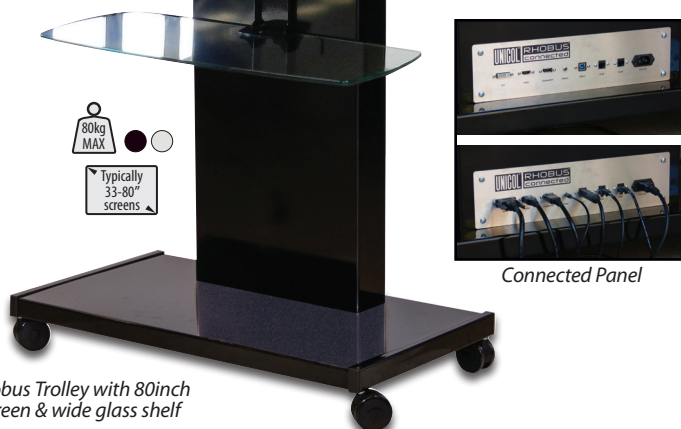
RHOBUS connected®



Rhubus Trolley with triple portrait screens



DVI
HDMI
Display Port
Stereo
USB3
RJ45 x 2
240V AC



Rhubus Trolley with 80inch screen & wide glass shelf

With its clean lines and piano black finish the new Rhobus range of stands and trolleys answers all the needs of the corporate user.

Choose from the elegant single screen version through to multi screen units to support the very latest and best in video conferencing and unified communications. Ample capacity & connectivity is provided for cabling, codec and integration with other systems, all accessible through a locking door. Built in 4-way power socket comes as standard.

Blade style camera mounts give the option to position screens close together or opened to give separate space for the camera. Use of the optional centre infill panel provides a neat finish.

- * Premium boardroom quality
- * Piano black and other finishes
- * Wide choice of screen options
- * Full unified AV/IT connectivity
- * Discreet cable management
- * Lockable housing for codec etc
- * Supplied with castors & static feet

Rhubus Stands & Trolleys

Order Code

RHC100 Rhobus Connected Single Screen

RHC200 Rhobus Connected Twin Screen

RHC300 Rhobus Connected Triple Screen

Height to centre of screen 1400mm

An abundance of practical features



Swap from twin wheel castors to static feet as required



Blade style camera mount allows choice of camera & screen configurations



Simple to configure for single, twin or triple screens – edge to edge micro adjustment as standard for multi screens



4-way power socket, generous cable management & equipment space



Drop down locking door allows easy access & provides neat appearance

Rhobus Accessories

Order Code mm

- RHGS1** Glass Shelf – 500(w) x 400(d)
- RHGS2** Glass Shelf – 780(w) x 390(d)
- RHCB1** Blade style Camera Mount
- RHCC** Blade mount conversion shelf
- RHP1** Optional centre infill panel
- VCM** Standard VC Camera Mount



Rhobus Trolley
in RAL 7035
light grey with
twin screens,
blade camera
mount & centre
infill panel

80kg
MAX
Typically
33-60"
screens



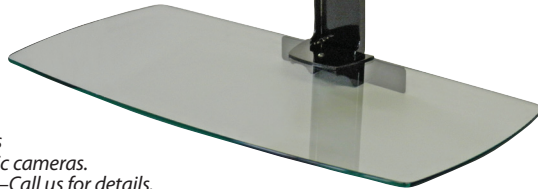
RHCC
Blade mount
conversion shelf



RHCB1
Blade style
camera mount



RHP1
centre
infill
Panel

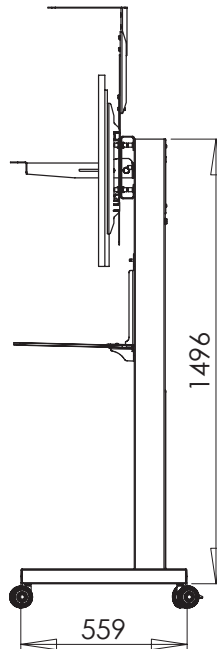
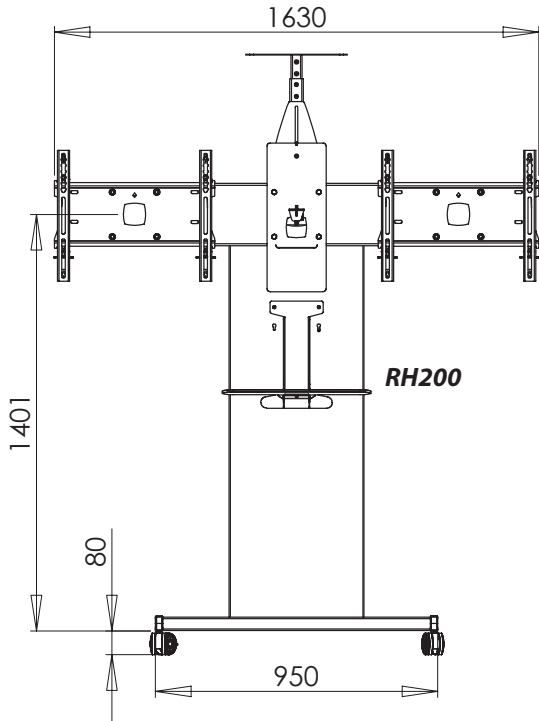


RHGS2 wide
toughened
glass shelf

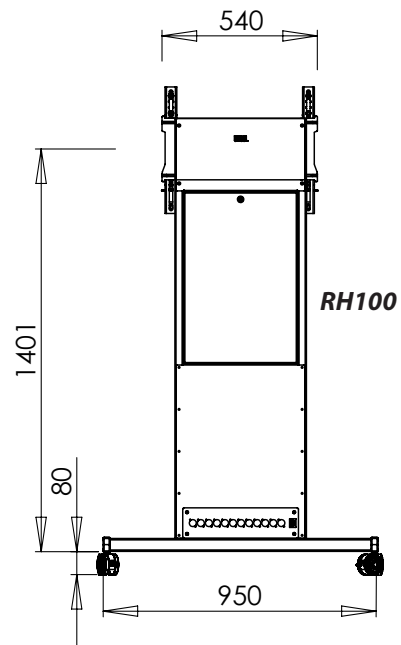


VCM Standard VC
camera mount

* We offer a wide range of camera mount options. Our RHCC conversion shelf is also available in versions dedicated to specific cameras. Above screen camera mounts also available – Call us for details.



Specifications



RhoCon-Mar14

Call Our Sales Team: 01865 767676

