



Avecta AVHP with 2 x AVGS glass shelves



### Hi-Level Stand

Height to centre of screen adjustable from 1100mm to 1500mm complete with PZX universal screen mount, 4-way power socket and all metal shelf.

Order Code **AVHP**

**From boardroom to show venue – a flexible and adaptable stand system with excellent cable management. Static or wheeled versions, single or dual screen options.**



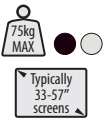
Standard Avecta AVHT with AVP1 shelf

Height to centre of screen 1250 to 1520mm

### Hi-level Trolley

Height to centre of screen adjustable. Trolley comes complete with PZX universal screen mount, 4-way power socket and all metal shelf.

Order Code **AVHT**



### Avecta Accessories



### Metal Equipment Shelves

Height adjustable. Cable entry.

Order Code	mm
<b>AVP1</b>	500w x 400d
<b>AVP2</b>	550w x 450d
<b>AVP3</b>	300w x 300d



### Safety Glass Shelf

Toughened glass fully edge polished. Height adjustable. Cable entry.

Order Code	mm
<b>AVGS</b>	500w x 400d



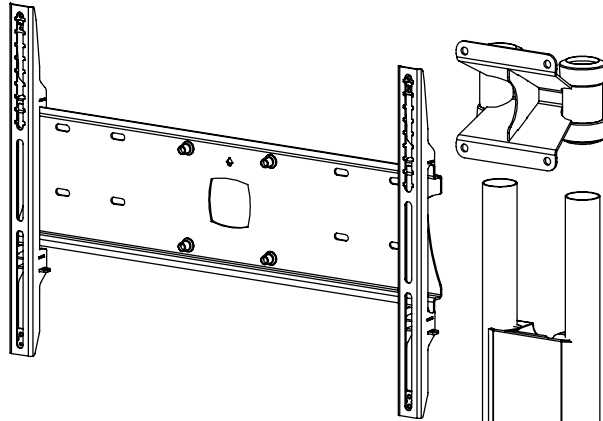
### Locking Cabinet

Height adjustable. Door conceals into roof. Has useable top surface.

Order Code	inside dimensions mm
<b>AVLC</b>	500w x 140h x 400d



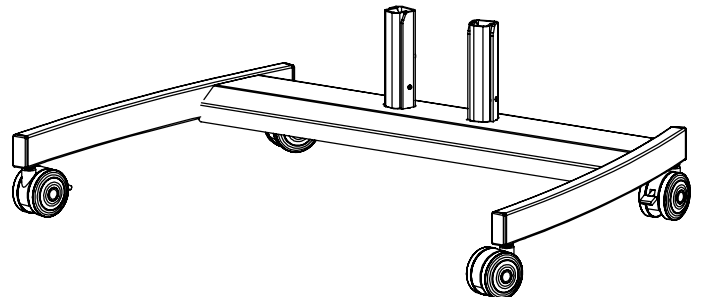
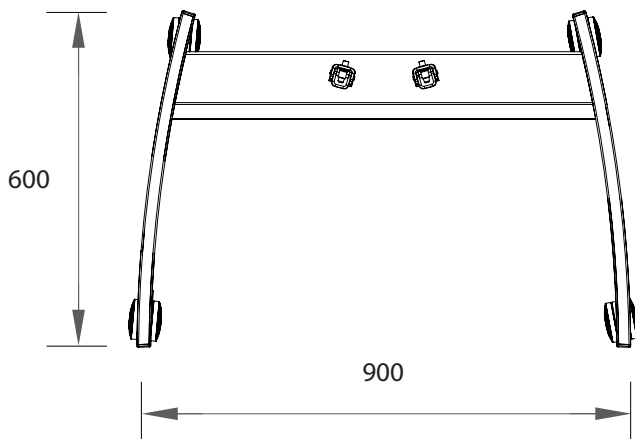
# UNICOL®



**AVHT**  
*shown*

AVHP  
Height to centre of screen 1100 to 1500mm

AVHT  
Height to centre of screen 1250 to 1520mm



UNICOL Willi-Grasser-Str. 15 D-91056 Erlangen +49(0)9131 9405 800 info@unicol.de www.unicol.de

