

# UNICOL<sup>®</sup>

Edition 54



Mounting  
Solutions

*Supporting You*

# Welcome to the 2017 Unicol Catalogue

Our comprehensive range of AV equipment mounts is available ex stock and offers unrivalled flexibility. Order either as standard assemblies or in component form to suit your own requirements. We also offer an efficient service in the manufacture of custom made items, from 'one-off' specials to large scale projects for corporate users. – Call us today or visit our website!

Unicol UK



*Unicol's solid design principles, driven by a passion to supply safe, cost effective, adaptable and dependable mounting solutions has been at the heart of our 50 years serving the AV industry.*

Unicol De



## How To Order

Call our sales / technical team direct, email or order on line.

We are ready to help regarding the best choice of items to order or to advise on any project being considered.

**Tel: +49(0)9131 9405 800**

**Email: [info@unicol.de](mailto:info@unicol.de)**

**Web: [www.unicol.de](http://www.unicol.de)**

Most standard products available on an ex stock basis.  
Please state screen or projector make / model & colour choice.

*Unicol products have been designed to meet BSI installation specification standard BS8590. All goods are sold subject to the Companies terms & conditions of sale, a copy of which is available upon request or can be downloaded from our website [www.unicol.de](http://www.unicol.de). Mechanical items have a 10 year design & manufacturing warranty. Electrical parts are covered by a 12 month return to base warranty. Unicol products are the subject of continuous development and we reserve the right to improve designs or change specifications without prior notice.*

*Products and prices listed in this catalogue are correct at time of going to press (Issue 2 – March 2017). © Peter Ligertwood 2017.*

**Unicol Deutschland GmbH, Willi-Grasser-Str. 15, D-91056 Erlangen**

## Symbols used & other information



Typical single screen guide: Light or heavy monitors will influence this.



Maximum carrying capacity for which each product is designed.



Colours ex stock.  
Sinterflex black (standard)  
Diamond silver (optional)

*Please state colour choice when ordering  
(Non-standard colours to special order)*

Dimensions shown are metric



## Contents – Product Finder Pages



VS1000  
Stands, Trolleys  
& Components

**4 & 5**



Wall Arms Panarm  
& Standard Range

**24 & 25**



Axia  
Stands & Trolleys

**6 & 7**



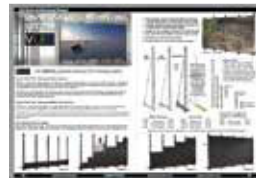
Outdoor Housings

**26 & 27**



Rhobus  
Stands & Trolleys

**8 & 9**



Universal  
LED Tile Structures

**28 & 29**



AV Furniture  
Huddle Tables  
Education Lecterns

**10 & 11**



Adapta-Wall  
Video Wall Mount  
Range

**30 & 31**



AV Teaching Aids  
Cabinets & Large  
Screen Lecterns

**12 & 13**



Screen Rail  
V-Wall Video Wall Stand  
AV Roller Trak

**32 & 33**



Avecta Stands  
Parabella & Tevella

**14 & 15**



Floor to Wall & Ceiling  
Multi-Screen  
Gantry Systems

**34 & 35**



Large Axia Titan  
Stands & Trolleys  
Motorised Stands

**16 & 17**



Protective Covers  
PC Housings  
Totems & Kiosks

**36 & 37**



Dedicated Wall Mounts  
Rotating Mounts  
Universal Wall Mounts

**18 & 19**



Gyrolock  
Projector  
Mounts

**38 & 39**



Screen Mount  
Trade Packs  
Slim Profile Mounts

**20 & 21**



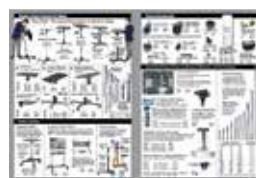
PSU Projector Units  
Guardbox  
Security Cages

**40 & 41**



Installation  
Components

**22 & 23**



Single Column Stands  
& Trolleys

Parts & Accessories

**42 & 43**

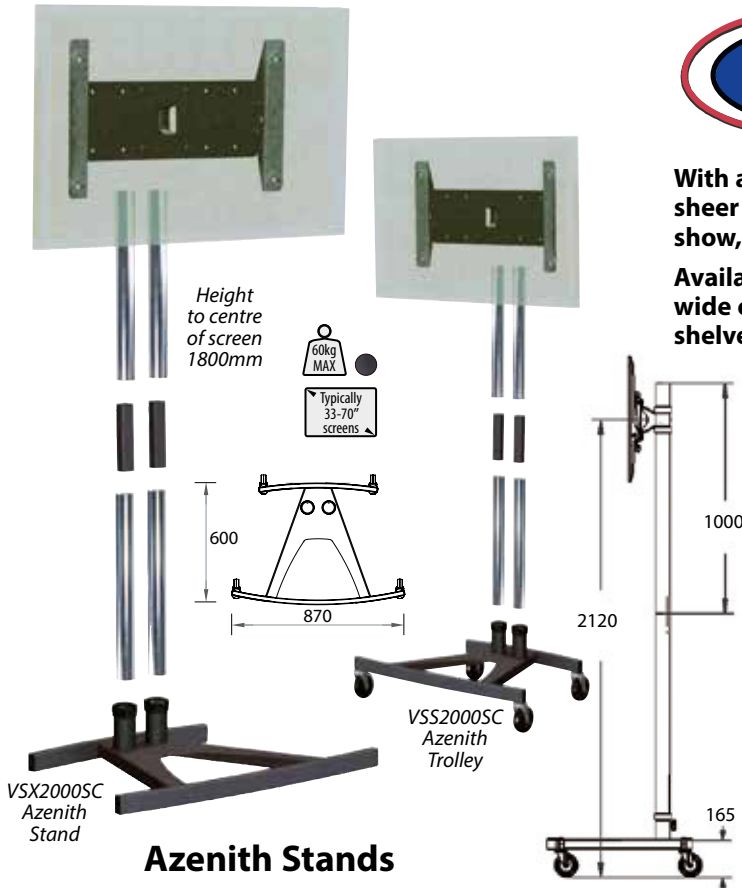
# VS1000 Stands, Trolleys & Components



**"The Work Horse of the AV industry"**

With a wide choice of interchangeable parts, easy assembly and sheer robustness VS1000 trolleys are the favoured choice of trade show, education, broadcast and AV users everywhere.

Available as static, wheeled base or back to back versions, with a wide choice of height options. Accessories include metal or glass shelves, locking cabinets and other options.



Stand for single display on plinth base (shelf optional)

VSLN-1500x2-PS2-PZXU with VP1



Scimitar base with optional locking cabinet

VS1000T with VLC

## Azenith Stands

### Split column with VESA Screen Mount

Order Code

**VSX1800SC - Stand** 200 x 200 to 600 x 400 VESA  
**VSS1800SC - Trolley** up to 70" / 60kg max

**VSX2000SC - Stand** 200 x 200 to 600 x 400 VESA  
**VSS2000SC - Trolley** up to 57" / 60kg max

Heavy duty braked wheel options - see Page 43.

## Build any configuration from

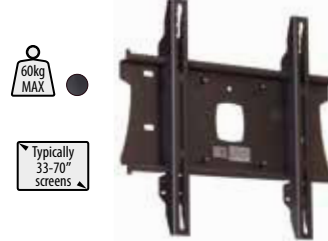


### Mount Adapters

Converts Pozimount mounts (or Xactmatch mounts) to fit twin columns. Standard Allen screw fixing. Fully height adjustable.

Order Code

**PS2** Standard single screen  
**PS8** Back to back screens



### Pozimount Universal Flat Screen Mount

For screens 42" to 70" plus VESA fixings 200 x 200 to 600 x 400.

Order Code

**PZXU** non-tilting



### Scimitar™ Bases

Elegant curved design. Trolley base has 10cm non marking rubber tyre wheels.

Stand version has 1.5cm plastic feet.

Order Code mm  
**VSS** 870w x 600d  
**VSR** with BRAKED wheels  
**VSX** Stand version (without wheels)  
 VSR base has higher spec BRAKED wheels - supports up to 105 Kg



### Standard Plinth Base

Stylish plinth base has resilient non-marking feet. Has clearance for cables routed beneath.

Order Code mm

**VSLN** 760w x 580d



### Original 'K' Base

Still preferred by many for its robust design. Has 10cm non-marking rubber tyre wheels.

Order Code mm  
**VSB** 870w x 600d  
**VBR** with BRAKED wheels  
 VBR base has higher spec BRAKED wheels - supports up to 105 Kg



### Back-to-Back Base

With centralised column sockets for Back-to-Back screen use. Resilient non marking feet & clearance for cables routed beneath.

Order Code mm

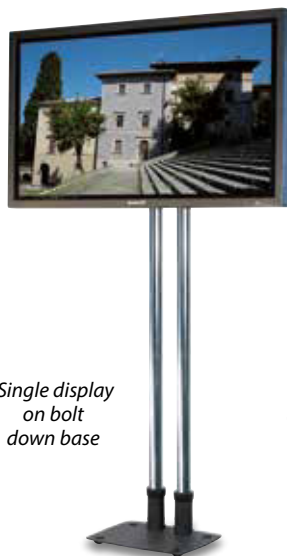
**VSLBB** 700w x 700d

# Choose from the standard units listed or select & assemble any of the parts to suit your needs

## VS1000 trolleys with Scimitar bases

The curved design of the Scimitar base units offers an attractive alternative to 'K' base versions.

Whichever style you choose all these trolley assemblies are available in both VESA or Universal screen mount versions.



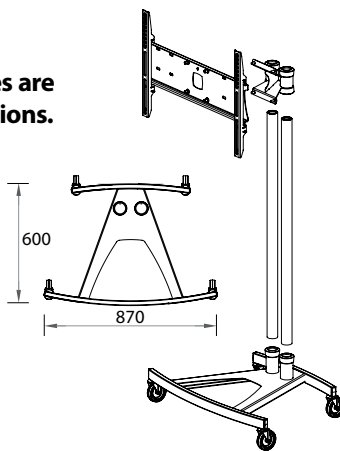
Single display on bolt down base

VSF1000

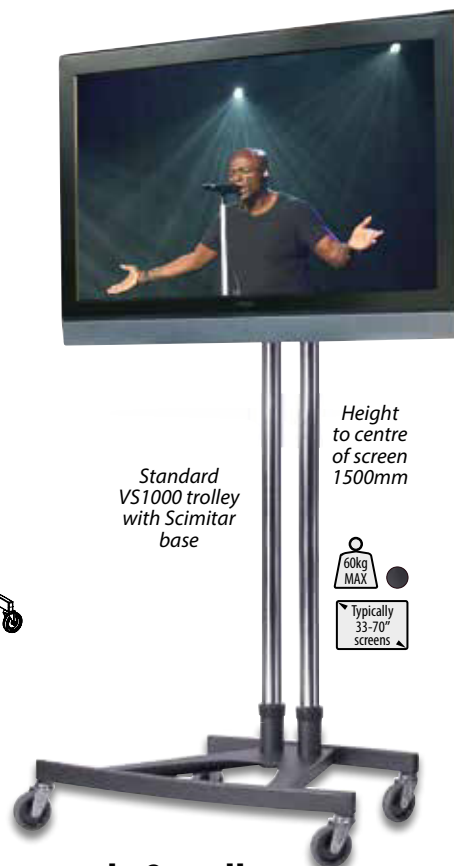


Portrait back-to-back display on plinth base

VS1000B2B



Heavy duty braked wheel options - see Page 43.



Standard VS1000 trolley with Scimitar base

Height to centre of screen 1500mm



## Standard Scimitar base stands & trolleys

### Stands

Order Code For screens up to 70" - up to 60kg max

**VS1000P** - 150cm columns

**VSX1800** - 180cm columns

Order Code For screens up to 57" - up to 60kg max

**VSX2000** - 200cm columns

### Trolleys

Order Code For screens up to 70" - up to 60kg max

**VS1000T** - 150cm columns

**VSS1800** - 180cm columns

Order Code For screens up to 57" - up to 60kg max

**VSS2000** - 200cm columns

## the components listed below

### Split Columns

Use with Azenith stands. Ideal for the hire & event industries.

Order Code Description  
**1800SC** - 4 x 89CM + CCSPD  
**2000SC** - 4 x 1M + CCSPD



### Shelves

In metal or toughened glass.

Order Code metal / mm  
**VP1** 500w x 400d  
**VP2** 550w x 450d  
**VP3** 300w x 300d

Order Code glass / mm  
**VGS** 500w x 400d



### Columns

Chrome plate finish (pair)

Order Code Length mm  
**1500X2** 1500  
**1800X2** 1800  
**2000X2** 2000

Brushed Stainless Steel (each)

Order Code Length mm  
**1500SS** 1500  
**2000SS** 2000

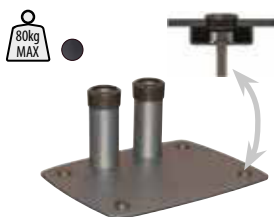
(Other column lengths listed on Page 22)



### Locking Cabinet

For DVD players, PCs etc. Fully height adjustable. Rear panel has access for cables.

Order Code Internal Dimensions mm  
**VLC** 550w x 150h x 400d



Distance from twin sockets to base rear edge - 25mm

### Compact Bolt Down Base

Offers minimal base footprint for fixed screen stands. M10 floor bolts (not supplied) fully recess into base. Trim caps neatly complete installation.

Order Code mm  
**VSF** 400w x 300d



Order Code  
**ESE** (Europlug)

### 4-Way Power Sockets

These clip to the base of the VS1000, TC1000 and the Single Column Trolley range (Page 38). With 3m cable and euro plug.



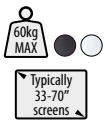
**Axia**® – the practical artform

- \* Graceful, stylish design
- \* Neat cable management
- \* Screen mount included
- \* 4-way power socket
- \* Safety glass shelves
- \* Video Conference versions
- \* Portrait screen options
- \* Corporate colour options

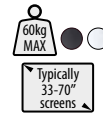


Height to centre of screen  
1500mm

Standard Axia Hi-level stand



Hi-level Stand with AXLC Locking Cabinet



Standard Axia Lo-level stand

Height to centre of screen  
1200mm



Hi-level Plinth Cabinet

Height to centre of screen  
1650mm



## Hi-Level Stands

With our PZX universal screen mount. Stylish plinth base has resilient non-marking feet. 4-way power socket neatly locates behind screen.

Select toughened glass or metal shelves as required.

### Standard Hi-Level Stand

Order Code

**AX15P** for screens up to 70"

## Lo-Level Stands

The quality option for corporate lounges or hospitality seating areas.

With our PZX universal screen mount. Plinth base has resilient non-marking feet. 4-way power socket neatly locates behind screen. Toughened glass shelf included.

### Standard Lo-Level Stand

Order Code

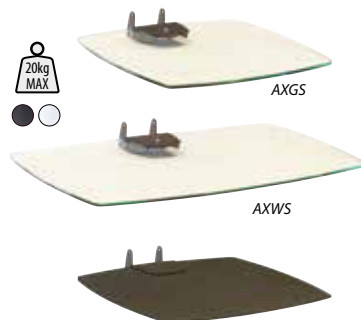
**AX12P** for screens up to 70"

## Plinth Cabinet Stand

Popular for showroom or exhibition use. Lockable base for PCs, DVDs etc has resilient non-marking feet.

Order Code

**AX16P** Cabinet Base version  
Cabinet internal dims 480(w) x 400(d) x 160(h)mm



## Shelves

Toughened glass, fully edge polished or metal versions available.

Lugs fit through mast slots & screw securely into position.

Order Code glass / mm

**AXGS** 500w x 400d

**AXWS** 780w x 390d

Order Code metal / mm

**AXSS** 500w x 400d

## Axia Locking Cabinet

For DVD players, PCs etc.

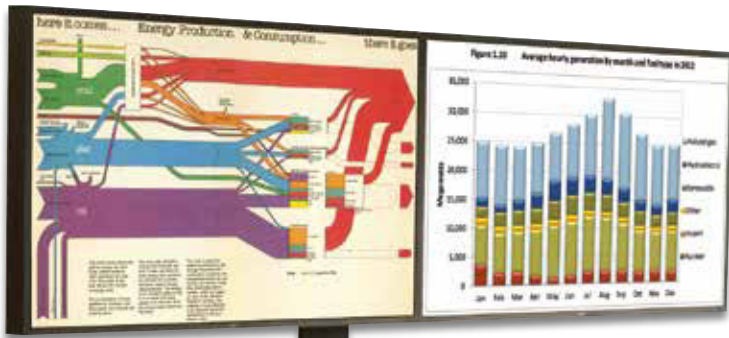
Lockable drop down door.

Rear panel has access for mains and other cables.

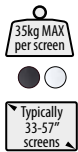


Order Code Internal Dimensions mm

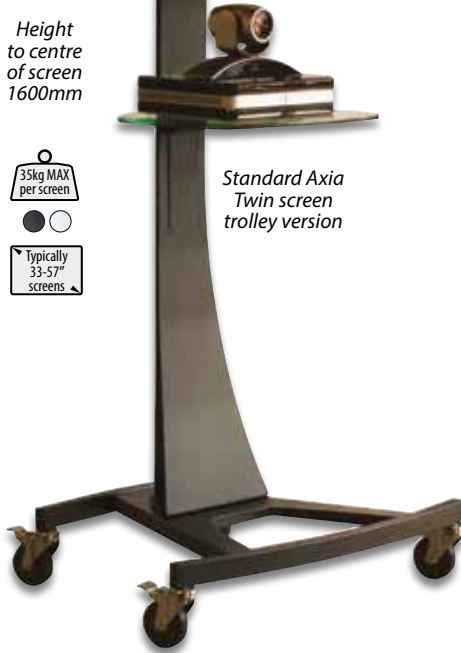
**AXLC** Size 550w x 150h x 400d



Height to centre of screen 1600mm

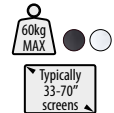


Standard Axia Twin screen trolley version



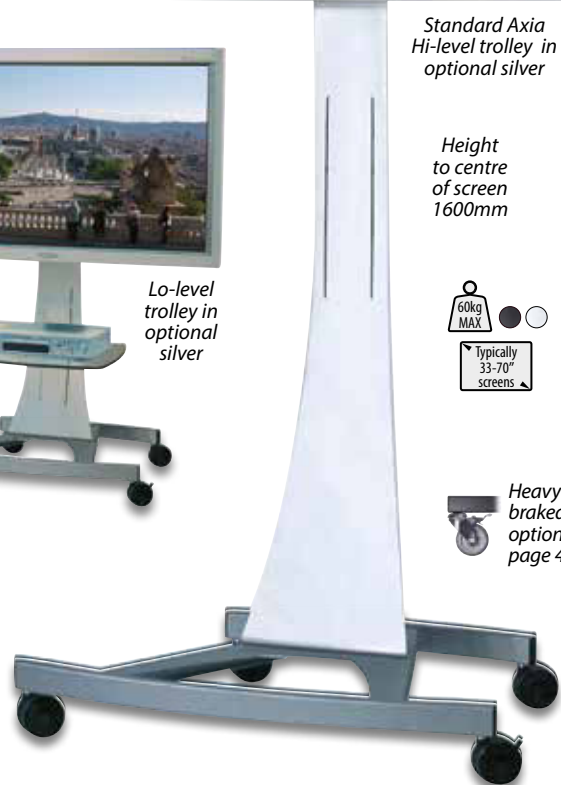
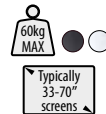
Standard Axia Hi-level trolley in optional silver

Height to centre of screen 1600mm



Height to centre of screen 1200mm

Lo-level trolley in optional silver



Heavy duty braked wheel options - see page 43.

## Axia Twin Screen and Video Conference Stands & Trolleys

These internally strengthened units for twin screen use cover a wide range of screen sizes. Easy to set up, using our PZX universal screen mounts. Toughened glass shelf is included.

Order Code *Stand Versions*  
**AXC15P51** screens 38" - 57"

Order Code *Trolley Versions*  
**AXC15T51** screens 38" - 57"

State make & model of screens when ordering  
Above screen video conference mounts and larger screen versions also available.

- Call us for any advice or assistance required

## Lo-Level Trolleys

Includes PZX universal screen mount, 7.5cm twin wheel castors and toughened glass shelf.

4-way power socket neatly locates behind screen.

## Standard Lo-Level Trolley

Order Code  
**AX12T** for screens up to 70"

## Hi-Level Trolleys

With PZX universal screen mount and base with 7.5cm twin wheel castors. 4-way power socket neatly locates behind screen.

Select toughened glass or metal shelves as required.

## Standard Hi-Level Trolley

Order Code  
**AX15T** for screens up to 70"

## Video Conference Mount

For most makes/models of cameras. Fits either above or below screen.

Telescopic adjustment enables camera platform to be positioned at optimum height.

Dedicated mounts for specific makes/models of cameras also available - Call us for details.

Order Code *mm*  
**VCM** shelf size 340w x 260d



## Axia Colour Options

With their graceful flowing curves Axia stands & trolleys already look good in their standard finishes.

Adding a corporate or individually chosen colour can dramatically enhance the effect, harmonise with interior schemes or even the screen itself.

- Call us for further details

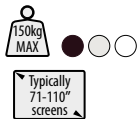


# RHOBUS®

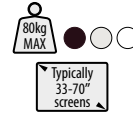
- \* Premium boardroom quality
- \* Piano black and other finishes
- \* Wide choice of screen options
- \* Discreet cable management
- \* Manual lift & Power-lift options
- \* Lockable housing for codec etc
- \* Supplied with castors & static feet
- \* Single box solution



Rhubus RH100HD  
Trolley with 84" screen



Rhubus RH100  
Stand with 46inch  
screen, VCM and  
glass shelf



With its clean lines and superior finish options the new Rhobus range of stands and trolleys answers all the needs of the corporate user – from boardroom to prestige exhibitor.

Choose from the simple but elegant single screen version through to multi-screen units to support the very latest and best in video conferencing. Ample capacity is provided within the central mast for cabling, codecs and other systems, all accessible through a locking door. Built in power socket comes as standard.

Camera mounts available in two versions; vertical blade style mount allow screens to be closed almost together see ① below. Style ② gives separate space for the camera with background panel (optional) to provide a neat finish.

Rhubus RH100 can be supplied  
as a floor to wall unit

## An abundance of practical features



Swap from twin wheel castors to static feet as required



Camera mount options allow choice of camera & screen configurations



Simple to configure for single, twin or triple screens – edge to edge micro adjustment as standard for multi-screens



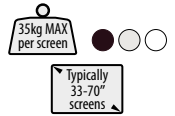
4-way power socket, generous cable management & equipment space



Drop down locking door allows easy access & provides neat appearance



Rhobus RH200 Trolley  
in RAL 7035 light grey  
with twin screens, blade  
camera mount & centre  
infill panel



## Rhobus Stands & Trolleys

Order Code

- RH100** Single Screen version (33" - 70")
- RH200** Twin Screen version (33" - 70")
- RH300P** Triple Portrait version (33" - 70")
- RH300L** Triple Landscape version (33" - 57")
- RH100HD** Heavy Duty version (71" - 110")
- RFWSHHD** Floor to Wall version (71" - 110")
- RHPL100HD** HD Powalift (71" - 110")
- RH400HD** 2 x 2 Screen version (33" - 57")

Height to centre of screen 1400mm

## Rhobus Accessories

Order Code

mm

- RHGS1** Glass Shelf - 500(w) x 400(d)
- RHGS2** Glass Shelf - 780(w) x 390(d)
- RHCB1** Blade style Camera Mount
- RHCC** Blade mount conversion shelf
- RHP1** Optional centre infill panel
- VCM** Standard Camera Mount



RHCC  
Blade mount  
conversion shelf



RHCB1  
Blade style  
camera mount



RHP1  
centre  
infill  
Panel

\* We offer a wide range of camera mount options. Our RHCC conversion shelf is also available in versions dedicated to specific cameras. Above screen camera mounts also available - Call us for details.



VCM



RHGS2 wide  
toughened  
glass shelf

20kg  
MAX



# RHOBUS<sup>®</sup> Powalift

- \* Safe, smooth operation
- \* Well proven technology
- \* Quality, long life components
- \* For screens 71 to 110 inch
- \* Controllable by Remote fob, cord switch or direct from your laptop - all supplied with unit

Operated by wireless remote or manual switch, screens can be commanded to rise or descend smoothly through 700mm, stopping safely at any point.

These units serve many requirements, particularly in the field of education enabling young children or wheel chair users to interact with touch screens. 'Touch of a button' height control also makes it easy to move from one location to another through doorways.

Screen mount, hand held remote with manual switch and 4-way power socket supplied as standard.

Order Code

**RHPL100HD** HD Powalift (71" - 110")



Smooth  
Powered  
Operation

Rhobus RHPL100HD  
Trolley with 'Touch  
of a button' Powalift  
technology to raise  
and lower screens  
smoothly through  
700mm.



# AV Furniture - RHOBUS Tables

**RHOBUS®**  
Huddle



## Rhobus Huddle

There are two Rhobus table versions, Huddle and Stand-to-Meet. Both have ample capacity & connectivity for cabling, codec and integration with other systems, all accessible through a cable well and locking door. Built in 4-way power socket comes as standard.

Video conference camera mounts are available for all the leading manufacturers of VC equipment. Table tops can be customised in different shapes with cut-outs for all the leading brands of connectivity devices. They can also be branded with different colours and logos. Seating can be supplied as an optional extra.

Order Code

**RHO1**

Oval - Single Screen version

**RHO2**

Oval - Twin Screen version

**RHH1**

Hammer-Head - Single Screen version

**RHH2**

Hammer-Head - Twin Screen version

- \* Full unified connectivity
- \* Underside rack options
- \* Lockable equipment housing
- \* Built in hearing induction loop
- \* Branding, logos & special finishes
- \* Accommodates wide choice of devices
- \* Custom table shape & finish options
- \* Fast turnaround delivery 7 - 10 days

## Rhobus Stand-to-Meet

Order Code

**RS01**

Twin screen stand to meet unit

**RSU01**

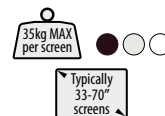
Underside custom controller /switcher unit

**RSU02**

Large front mast for cable cubby with retractors

**AVplates**  
getting you connected

As a distributor of AV Plates we can enhance any models of Unicol AV Furniture - Please call for details.



**RHOBUS®**  
Stand-to-Meet







## Canterbury Lectern

### Combines functionality with style

- \* Premium lecture room quality
- \* Customised control housings as standard
- \* Secure front & rear installation access
- \* Lockable front door with key alike
- \* 4 jacking feet & hidden castors
- \* High quality monitor arm included
- \* To BS8590 AV Code of Practice guidelines
- \* Matt black and other finishes available
- \* 19inch, 16U rack supplied as standard
- \* Wood finish table tops, 36mm deep

Versatile lectern provides secure storage for media electronics with 19" 16U rack mounting as standard. Stylish oval cabinet has concealed castors with jacking feet for extra stability on uneven surfaces. The range of durable desk tops are available in a choice of sizes and incorporate a control panel housing for standard & custom apertures, together with power outlets.

High quality monitor arm is fully adjustable and there is generous desk top room for keyboard and visualiser if required. Desk tops are available in 1000, 1250 & 1500mm widths, all are 750mm deep with a choice of wood effect finishes. With ability to customise to a wide range of requirements, including colours and branding, this premium self contained lectern is complimentary to any modern lecture theatre.

#### Table Top and Cabinet Choices:



Oak



Beech

#### Table Tops



Grey



Black



White

#### Cabinets



Black



White



Silver

#### How to Order

Choose from the three models listed below and select any of the table top & cabinet finishes listed. Please then provide preference for monitor arm left or right and control panel housing requirements.

Order Code

**UFCL10**

**Canterbury Lectern**

Top - 1000x750x36mm - with Monitor Arm & Control Housing

**UFCL12**

**Canterbury Lectern Plus**

Top - 1250x750x36mm - with Monitor Arm & Control Housing

**UFCL15**

**Canterbury Lectern Pro Plus**

Top - 1500x750x36mm - with Monitor Arm & Control Housing

## Prezenter

### Wall Mounted Lectern

Ideal for small lecture theatres where space is limited, the folding 18mm wood finish top is designed to be functional yet compact, with built in pen tray and space available for laptop and note taking.

A lockable cabinet (with key alike) is provided for a PC with access to PC ports and power through the side of the unit. A 3U rack strip is also built in. A standard UK double gang aperture is provided in the sloping top face along with a custom size aperture. (Please supply controller make & model & size of aperture).

#### How to Order

Choose cabinet finishes listed. Please then provide preference for control panel housing requirements.

Order Code

**UFPL08**

mm

800(w) x 796(h) x 605(d)

#### Table Top and Cabinet Choices:

Table Top



Cabinets



Prezenter lectern with folding top shown in white

# AV Furniture - Teaching Aid Desks & Trolleys

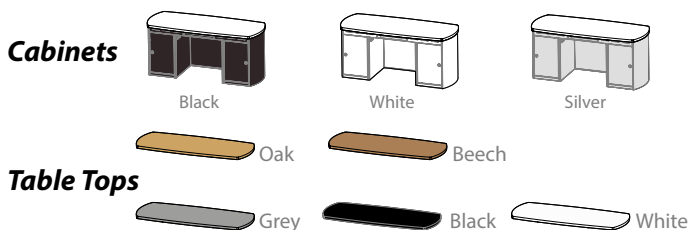
## The Principal Teaching Aid Desk

Provides lecturers with a central desk facility to control AV lecture content, screen or projector video sources, audio and lighting levels and more. Cabinets have 19" rack mounts and at desk level the control housing and fully adjustable screen mount.

- \* 19" removable 6U racks allows pre-installation option
- \* Full cable management allows for bulky connectors
- \* Desk Top 700 x 1700mm in a range of finishes
- \* Screen mount has left/right or multi-screen options
- \* Control Housing has standard & custom apertures
- \* Power socket left and right of control housing
- \* Logo designs including back illuminated versions
- \* Generous desk top space for visualiser if required
- \* Castor mobile for access through standard doorways



### Table Top and Cabinet Choices:



### How to Order

Select any of the table top & cabinet finishes listed. Please then provide preference for monitor arm left or right and control panel housing requirements.

Order Code mm  
**UFPD17** 1715(w) x 778(h) x 700(d)  
 Top - 1715 x 750 x 36 - with Monitor Arm & Control Housing

## NEST-STAR<sup>®</sup> Nesting Trolleys

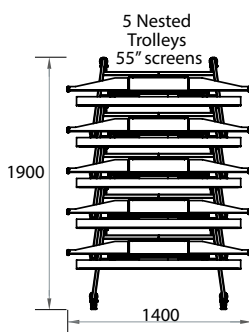
### AV Teaching Aid on Wheels

A complete large format audio visual teaching assistant on wheels that can be deployed quickly and neatly stowed when not in use.

This robust trolley is designed for large format displays and securely houses your favourite PCs and controllers, whilst allowing fast deployment of cabling. The standard trolley build comes with a plain mast. However, we understand that choice of equipment is important and will customise the rear or front of the mast section with a 300 x 300 x 100mm cable/keypad pocket and standard double gang wall plate & cable assembly at an additional cost. (Please call us for a quote). Handles are provided for ease of movement as standard.

These trolleys can quickly turn an empty space into an effective student e-learning environment as and when required. Whilst Sinterflex Black is the standard colour, other bright & bold finishes are available.

- \* Robust modular construction
- \* Easy to assemble and install
- \* Quick and easy deployment
- \* Customisation available
- \* Secure storage for players / PCs
- \* Standard black with colour options



Height to centre of screen  
1500mm

- NST1 80kg MAX
- NST2 150kg MAX
- Typically 33-90" screens

Standard trolley comes with plain mast. The rear / front of the mast can be customised with a cable/keypad pocket and double gang wall plate & cable assembly.

When ordering please state make & model of screen, custom option requirement and colour choice. There will be an additional charge of 18% for non-standard colours.

Order Code

**NST1** For up to 70" screens (Trolley only - no electronics)

**NST2** For up to 90" screens (Trolley only - no electronics)



# Media Screen Units, Cabinets & Tilting Lecterns

## 19" Rack Cabinet & Screen Units

This versatile range provides secure storage for media electronics. 19" rack mounting as standard, shelves optional. Select mast & screen mount units from the listings below.



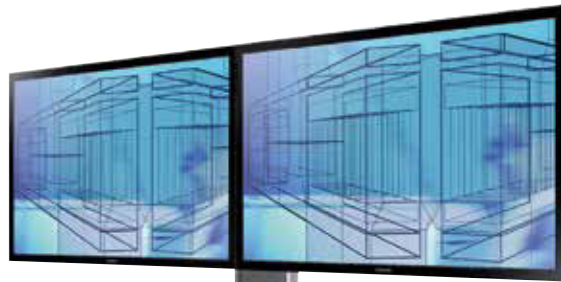
**AVR5 - M1X1**  
Media Screen Unit

Typically 33-57" screens

40kg MAX



**AVR5**  
Standard cabinet  
500w x 700h x 500d



**Twin 19" Rack Cabinet & Screen Units**



**AVRT5** Standard twin cabinet  
1015w x 700h x 500d

Order Code

- AVR5** Standard rack mount depth 442mm
- AVR7** Extended rack mount depth 642mm
- AVR9** Oval style cabinet (dims as standard)

Mast assembly inc single screen mount

Order Code

- AVRT5** Standard rack mount depth 442mm
- AVRT7** Extended rack mount depth 642mm

Mast assembly inc twin screen mount

\* Special Non-standard Versions of these cabinets, screen mounts and accessories are also manufactured – Call us for details.

## Universal Shelves

Fit all cabinet versions and locate into rack mount slots. Useful above / below rack mounted equipment or in any way required.

Order Code

- VR500** Shelf – 430mm(d)
- VR700** Shelf – 630mm(d)



## Large Screen Lecterns



Two models are offered:

Shown left, a rigid and stable platform supporting a fixed angle screen mount.

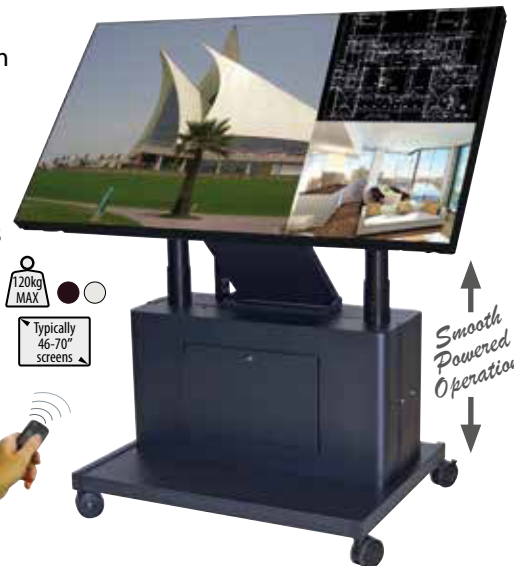
Shown right, a trolley with a variable angled mount that can be powered through 90 degrees from horizontal to vertical, stopping anywhere in between. Both are designed specifically for touch screen use and screens up to 70inch.



Height to centre of screen  
1000mm

80kg MAX

Typically 33-70" screens



120kg MAX  
Typically 46-70" screens

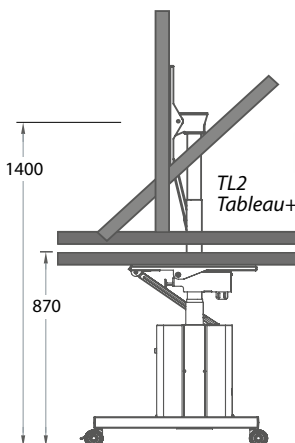
Smooth Powered Operation

Mast incorporates two compartments, both 344(w) x 95(d) – 1 x 280(h) & 1 x 398 (h), to house small PCs or other electronics together with cabling. Base unit has resilient non marking feet and clearance for cables routed beneath.

Order Code

**TL1-PZXU** for screens 33" - 70"

State screen make & model when ordering



Cabinet incorporates one lockable compartment 500(w) x 200(d) x 200(h) to house small PCs or other electronics. Connector panel is positioned at the rear for plug & play. Braked wheels are standard.

Order Code

**TL2** for screens 46" - 70"

State screen make & model when ordering

# Avecta Stands & Trolleys

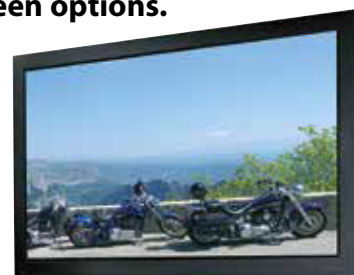


From boardroom to show venue – a flexible and adaptable stand system with excellent cable management. Static or wheeled versions, single or dual screen options.

## Hi-Level Stand & Trolley

Height to centre of screen adjustable from 1100mm to 1500mm complete with PZX universal screen mount, 4-way power socket and all metal shelf.

Order Code  
**AVHP**  
**AVHT**



Standard  
Avecta AVHT  
with AVP1  
shelf

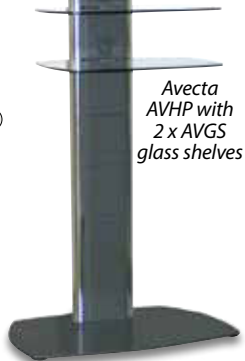
Height  
to centre  
of screen  
1250 to  
1520mm



60kg  
MAX  
Typically  
33-70"  
screens

## Wall Mounted

Pivots to adjust  
viewing angle.



Avecta  
AVHP with  
2 x AVGS  
glass shelves

## Lo-Level Stand

Height to centre of screen fully adjustable. Comes with PZX universal screen mount, 4-way power socket and all metal shelf.

Order Code  
**AVLP**

Typically  
33-57"  
screens 70kg  
MAX

Height to  
centre of  
screen 600  
to 950mm



Avecta  
AVLP

60kg  
MAX  
Typically  
33-70"  
screens



## Heavy Duty Trolley

For screens up to 110" – this trolley comes with a PLX3 Xactmatch mount (Page 18). Height to centre of screen adjustable up to 1500mm.

State screen make & model when ordering

Order Code  
**TCAVT**

TCAVT  
Height  
to centre  
of screen  
adjustable  
to 1500mm

120kg  
MAX  
Typically  
33-110"  
screens

## Video conference & twin screen units

Different screen sizes can be accommodated using one of 3 central cross member types which carry our standard Pozimount universal mounts.

Comes with metal shelf. Order video conference camera mount, or glass shelf as required.

Order Code

**ACHT** Hi-level Trolley

**ACHP** Hi-level Stand

Typically  
33-57"  
screens 35kg MAX  
per screen



VCM Video  
Conference  
Mount also  
available –  
(See Page 7)

Avecta ACHT with AVP1  
metal shelf and optional  
VCM video conference mount

## Avecta Accessories



20kg  
MAX

## Metal Equipment Shelves

Height adjustable. Cable entry.

Order Code mm  
**AVP1** 500w x 400d  
**AVP2** 550w x 450d  
**AVP3** 300w x 300d



20kg  
MAX

## Safety Glass Shelf

Toughened glass fully edge polished. Height adjustable. Cable entry.

Order Code mm  
**AVGS** 500w x 400d



20kg  
MAX

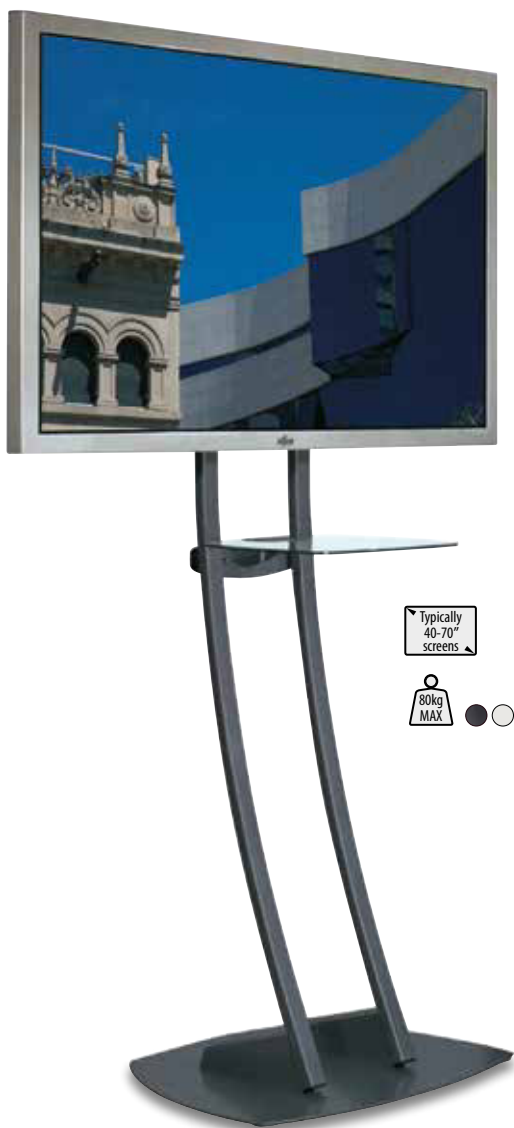
## Locking Cabinet

Height adjustable. Door conceals into roof. Has usable top surface.

Order Code inside dimensions mm  
**AVLC** 500w x 140h x 400d



# Popular & Specialist Stands



# Parabella®

**The inspirational stand unit for exhibitions & conferences.**

- \* Curved slim design
- \* For screens 40 - 70inch
- \* Neat cable management
- \* 1.8m viewing height
- \* Large base available

Order Code

**PA2** Stand inc mount

Typically 40-70" screens



State screen make & model when ordering

## Parabella Accessories

### Large Base

For screens up to 80"

Order Code mm

**PARAB2** size 1210w x 700d

(Use PLW3 or PZX9 (P18/19) & 300 x 300 Converter)

Order Code mm

**C1523030** 300 x 300 Converter

### Glass Shelf



Toughened glass fully edge polished.

Order Code mm

**PARAGS2** size 500w x 400d



TVT1

Typically 15-40" screens

# TEVELLA™

series

### Tevella TV Stand

- \* Cables routed through base & column
- \* Bolt down version also available
- \* Stand height to centre of screen 100cm
- \* Trolley height to centre of screen 140cm

Order Code

**TVV1** Upright - 15-32" screens

**TVL1** Lectern Version - 15-32" screens

**TVT1** Trolley Version - 15-40" screens

Order Code

**LBP/1000/EPS** Bolt Down Version  
15-40" screens



TVL1

TVV1

Typically 15-32" screens



# Axia Titan Large Format Stands & Trolleys



Designed for large format or multi-screen applications, these trolleys incorporate heavier mast sections and increased base footprint to accommodate large screen sizes and heavier loads. Axia Titan trolleys come in 3 versions:

- \* **Fixed Height**
- \* **Manual Easy Lift**
- \* **Powalift with Remote**

*Safety Note: Safety must always be the first priority when handling large / heavy screens, which should be installed by qualified personnel using appropriate lifting equipment. Manoeuvre and position trolleys only on flat and even surfaces.*

## Manual Easy Lift

Smooth 'ratchet action' for easy lifting. Practical, reliable and immune from show venue power outages!



## Manual Easy Lift Trolley For Screens up to 98"

Order Code  
**AXW20** 1.5m to 2.5m centre of screen

## Powalift Electronic

### Axia Titan Powalift Versions. – Smooth powered vertical travel for screens up to 110"

These trolleys incorporate a powerful linear drive system within the heavy duty mast. Supplied with hand held remote and manual switch option as standard.

Order Code  
**AXL15T2J** for screens up to 110"

CE approved & DDA compliant

Typically 70-110" screens

200kg MAX



Shown supporting Panasonic 103"

Fixed Height 2m Trolley Version

Typically 70-110" screens

200kg MAX

## Fixed Height

### For Screens up to 110"

Order Code  
**AX15T2J** 1.5m to centre of screen  
**AX20T2J** 2m to centre of screen

### For multiple 2 x 2 (4) Screens Up to 55" & 35kg max per screen

Order Code  
**AXM20T31** 2m to centre of screen

State make & model of screen



Prices quoted are ex-works as the Easy Lift is despatched by dedicated courier.

Manual Easy Lift

Typically 70-98" screens

120kg MAX



35kg MAX per screen

Smooth Powered Operation

Shown on plinth base supporting 4 x 55" screens



# Motorised Stands & Trolleys



Electronic control & PowaLift technology combine in these versatile units.

- \* Safe, smooth operation
- \* Well proven technology
- \* Quality, long life components
- \* For screens 33 to 70 inch
- \* Controllable by Remote fob, cord switch or direct from your laptop – all supplied with unit

Operated by wireless remote or manual switch, screens can be commanded to rise or descend smoothly through 700mm, stopping safely at any point.

These units serve many requirements, particularly in the field of education, enabling young children or wheel chair users to interact with touch screens. 'Touch of a button' height control also makes it easy to move from one location to another through doorways.

Screen mount, hand held remote with manual switch and 4-way power socket supplied as standard.

CE approved & DDA compliant



Smooth Powered Operation



AVMT31

## Trolley Version

Order Code  
**AVMT31** 33" to 70"

State make & model of screen

Typically 33-70" screens

100kg MAX



Rear of unit shown with 4-way power socket, antenna, power-in, USB & cord switch socket



Laptop Arm fully extends & articulates

## Laptop platform

Order Code  
**AVML2**



AVMW31

## Floor to Wall Version

Using the same proven mast technology as our trolley version these units allow fixed installation with the benefit of compactness and slim profile.

Order Code Standard  
**AVMW31** 33" to 70"

100kg MAX

Order Code Heavy Duty  
**AVMW91** 71" to 98"

150kg MAX

Please state make & model of screen

Typically 33-98" screens

There is a range of PC housings to fit these units – Call for details

# Table Stands for screens 40 – 70 inches

A wide range for home cinema or corporate use.



Standard PFT1 stand with universal mount

Typically 40-57" screens

60kg MAX

Our table stands are available in two versions: Screens from 40 to 57 inch fit neatly on our standard PFT1 stand which has a universal mount to cover most VESA sizes.

Screens up to 70 inch are covered by our dedicated model range designed and manufactured for each make & model listed.

All versions have resilient non marking feet.

Order Code  
**PFT1** Universal 40" to 57"

**PFL3** Dedicated 58" to 70"

State screen make & model when ordering



Illustration shows 70 inch screen version from our dedicated model range

Typically 58-70" screens

80kg MAX

## Dedicated Screen Mounts



**Approved mounts specifically designed for each make and model of screen listed**

Xactmatch mounts take all the guesswork out of ordering and installing screen mounts whatever the make or model and whether stand, trolley, wall or ceiling fixed. Our range covers all popular makes of screens and are available in landscape or portrait versions.

- \* **Factory designed & tested for each screen model**
- \* **Cable entry & cooling vent positions allowed for**
- \* **Landscape and portrait versions for all models**
- \* **Correct screen fixings included**



PLX1

### Slim line Flat Mounts (Landscape)

Order Code

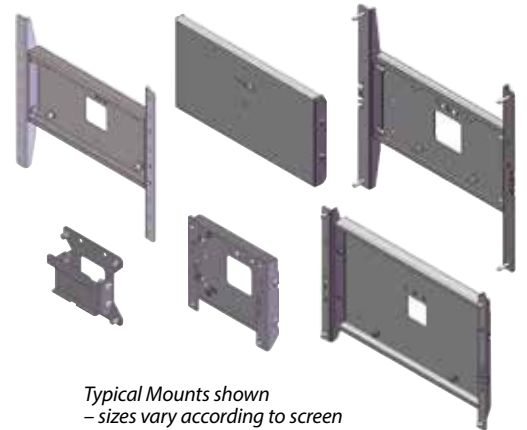
**PLX1** Screens up to 70" landscape - 80kg

**PLX3** Screens 71" to 110" landscape - 150kg

### Slimline Flat Mounts (Portrait)

Order Code

**PPX1** Screens up to 70" portrait - 80kg



Typical Mounts shown  
- sizes vary according to screen

State screen make & model when ordering



PLW1

### Tilting Mounts (Landscape)

Order Code

**PLW1** Screens up to 70" - 80kg

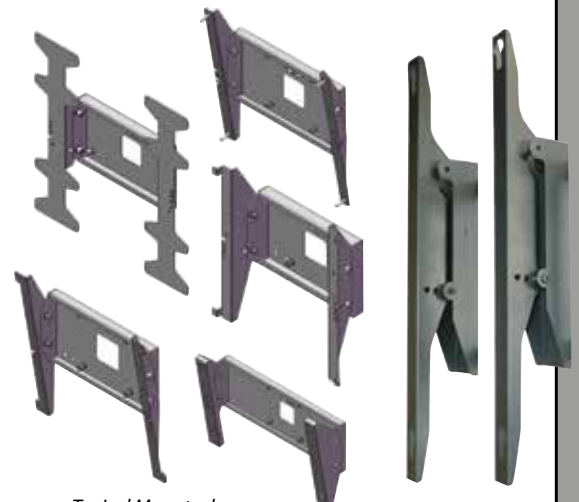
**PLW3** Screens 71" to 110" - 150kg

### Tilting Mounts (Portrait)

Order Code

**PPW1** Screens up to 70" - 80kg

**PPW3** Screens 71" to 90" - 150kg



Typical Mounts shown  
- sizes vary according to screen

PLW3

State screen make & model when ordering

## Xactmatch Rota Mounts

Smoothly rotate screens from landscape to portrait and anywhere in between.

Rota Mount RTM1 is designed to fit most Unicol stand & trolley models or floor to ceiling systems and can also be direct wall fixed if required. In-built safety stops allow precise indexing to both landscape and portrait positions.

Use Rota Mount in conjunction with any of our range of Exactmatch slim line flat mounts, stating make & model of screen when ordering.

Order Code

**RTM1** Screens up to 70" - Includes PLX mount



Comes with screen mount  
Please state screen make & model

**Safety Note:** Ensure safe cable management when using Rota Mount units. Cables should be sheathed or otherwise protected and have sufficient freedom of movement.

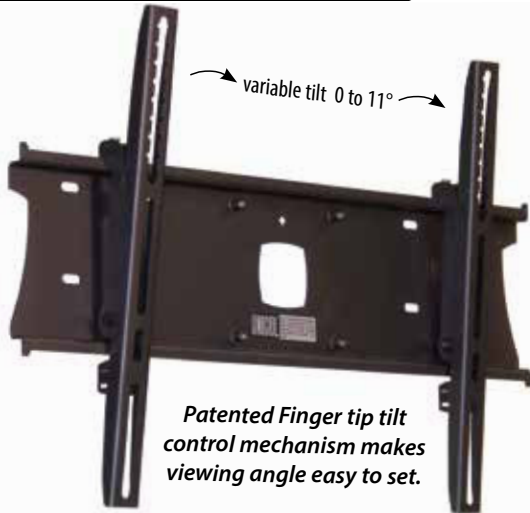


Higher capacity Rota Mounts for screens up to 103" (see illustration) also available - Call us for details.

# Universal Screen Mounts



## Universal range of flat screen mounts



- \* Industry standard quality product
- \* Fully adjustable – accommodates wide range of screen fixings including VESA
- \* Use direct fixed to wall, also fits all stands, wall arms or ceiling mounts in our range
- \* Universal screen fixing kit supplied
- \* Versions in landscape and portrait
- \* In built screen levelling
- \* Security options
- \* Flat to wall & tilt version available

### Flat to Wall Version – 30" to 40"

Depth from wall 45mm

Order Code  
**PZX0** VESA 200 x 200 to 400 x 200  
 Overall width / height of mount - 465mm x 332mm

### Flat to Wall Version – 33" to 70"

Depth from wall 45mm

Order Code  
**PZX3** VESA 200 x 200 to 400 x 400  
 Overall width / height of mount - 540mm x 440mm

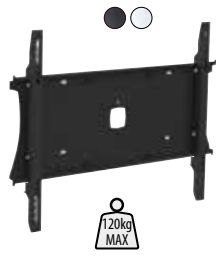
**PZXU** VESA 200 x 200 to 600 x 400  
 Overall width / height of mount - 666mm x 440mm

(For VESA 800 x 400 order **PZX5**)  
 (Overall width / height of mount - 870mm x 640mm)

### Flat to Wall Version – 71" to 110"

Depth from wall 50mm

Order Code  
**PZX9** VESA 1000 x 600  
 Overall width / height of mount - 1070mm x 700mm



### Tilting Version – 30" to 40"

Depth from wall 55mm

Order Code  
**PZW0** VESA 200 x 200 to 400 x 200  
 Overall width / height of mount - 465mm x 332mm

### Tilting Version – 33" to 57"

Depth from wall 55mm

Order Code  
**PZW3** VESA 200 x 200 to 400 x 400  
 Overall width / height of mount - 540mm x 440mm

**PZWU** VESA 200 x 200 to 600 x 400  
 Overall width / height of mount - 666mm x 440mm

### Tilting Version – 58" to 70"

Depth from wall 65mm

Order Code  
**PZW8** VESA 200 x 200 to 600 x 400  
 Overall width / height of mount - 700mm x 536mm



### MOUNT SELECTOR

Choose the Pozimount most suited to the fixings (VESA sizes) used on your screen. Each mount is supplied with Universal fixing pack covering screw sizes M4, M5, M6 & M8.

### Pozimount – Portrait

For screens – typically from 40" to 70"  
 VESA 400 x 400 to 400 x 600

#### Flat to Wall Version

Order Code  
**PPZX2** depth from wall 45mm  
 Overall width / height of mount - 465mm x 700mm

(VESA 200 x 200 to 400 x 400 use PZX3)

**Tilt Version** (intended for column suspension mounting - add column adapter PS7, column & ceiling plate).



### Stainless Steel Options

We offer stainless Pozimounts to combat harsh environments when using waterproof / IP rated screens.

#### Pozimount 400SS

Order Code  
**SS\_PZX3**

#### Pozimount 600SS

Order Code  
**SS\_PZXU**



- \* We also offer all stainless steel installation components when using these mounts for ceiling suspension – Call us for details



# Universal Screen Mount – Trade Packs

## Trade Packs for screen suspension

These 'package priced' kits offer ease and convenience for specifiers and installers, combining the necessary ceiling plate, column & Universal tilting mount for a typical installation.

Three column lengths are listed to suit different ceiling heights. Trade Packs consist of Ceiling plate, Column & Mount(s).



### Single Screen Trade Packs for VESA 300 x 300 to 600 x 400

Order Code  
**KP110CB** with 1m suspension column

**KP120CB** with 2m suspension column

**KP130CB** with 3m suspension column

\* (please see note below)

Bundled package in one box

Order Code  
**KPBC** with 3 x 1m columns & 2 x couplers



KP110CB



### Back to Back Twin Screen Trade Packs for VESA 300 x 300 to 600 x 400

Order Code  
**KP110DB** with 1m suspension column

**KP120DB** with 2m suspension column

**KP130DB** with 3m suspension column

\* (please see note below)

Bundled package in one box

Order Code  
**KPBD** with 3 x 1m columns & 2 x couplers



KP110DB

For 32" Back-to-Back screens with VESA 200 x 200 fixings use CP1, Column length & DCV1 (Page 21)



### Wall Arm Trade Packs for VESA 200 x 200 to 600 x 400

Order Code  
**KPWB** Direct coupled  
**KP105WB** with 50cm suspension column  
**KP110WB** with 1m suspension column

\* (please see note below)



KPWB

\* **Note:** The above Trade Packs use PZW1 style mounts. Smaller PZW0 style mounts (P19) for VESA 200 x 200 to 400 x 400 are also available at same price – Call for details.

# Slim Profile Mounts

## Versus Thin Mount Range

As screens become thinner and lighter it is only natural to have a mounting system that shows off the virtues of Direct and Edge Lit LED technology.

This new range of screen mounts is available in wall, stand or ceiling versions, tilting & non-tilting. The ceiling version is supplied with an adapter to fit a standard PS1. The trolley version fits directly to a standard PS2 twin column adapter.

The non-tilting version is only 26mm deep from back plate to rear of screen, (tilting 40mm) and fits most popular VESA fixing centres 200, 300, 400 & 600 x 400.

## Ceiling Mount Version

Order Code

**VZWC1** 0 to 10 degrees tilt

Add ceiling plate, column & PS2 as required

## Wall Mount Only

Order Code

**VZWW1** 0 to 10 degrees tilt

## VS1000 Trolley Version

Order Code

**VZWV1** 0 to 10 degrees tilt

Typically  
33-57"  
screens

35kg  
MAX



7.5  
millimetres  
thin

35kg  
MAX

Typically  
33-57"  
screens

**excalibur™**

## Excalibur Ultra Slim Universal Wall Mounts

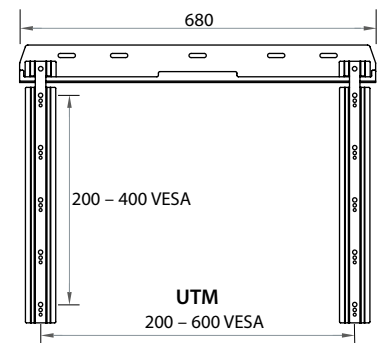
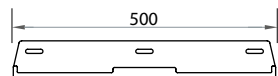
- \* Only 7.5 millimetres thin!
- \* For screens up to 57" (max 35Kg)
- \* Fits all of the following VESA sizes: 200x200 / 300x300 / 400x400 / 600x400

Order Code

**UTM** with 680mm wall plate  
with 500mm wall plate

(Caution: Do check that your screen has cabling connections which allow the use of a slim style wall mount and do not protrude excessively from the rear).

UTM1  
200 - 400  
VESA



## Small Screen Mount Range



20kg  
MAX

### Slim-line Wall Mount

- \* for displays up to 21"

Order Code

**LVC** VESA up to 100 x 100



35kg  
MAX

### Clip-On Slim-line Wall Mount

Easy to use, fits most screens and has concealed security screw.

- \* for displays up to 32"
- \* VESA 75 x 75, 100 x 100, 200 x 100

Order Code

**SVC1** VESA up to 200 x 100  
**SVC2** VESA only 200 x 200



8kg  
MAX

### Swivel & Tilt Mount

- \* for displays up to 21"
- \* VESA 75 x 75 and 100 x 100

Order Code

**LVA** Tilt Only  
**LVB** Swivel & Tilt



15kg  
MAX

### Lectern style screen mount

For use with touch screens or in show room displays. Tilt angle fully adjustable.

- \* for displays up to 32"
- \* VESA 75 x 75, 100 x 100, 200 x 200

Order Code

**SEV1** VESA up to 200 x 200



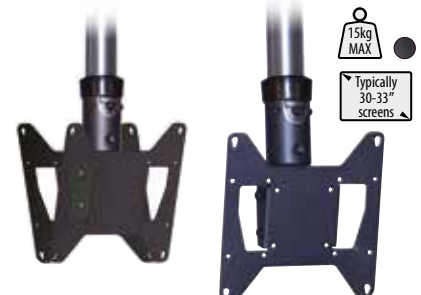
15kg  
MAX

### Tilting Wall Mount

- \* for displays up to 32"

Order Code

**STV1** VESA up to 200 x 200  
**SMV1V** with Swivel & Tilt



15kg  
MAX  
Typically  
30-33"  
screens

### Suspension units with swivel & tilt

Use with any Unicol ceiling or wall suspension equipment.

Order Code

**SCV1** VESA up to 200 x 200  
**DCV1** Back to Back version

# Installation Components



has cable entry



## Standard Ceiling Plate

Use with any column length for suspension of projectors & single screens up to 57".

Order Code Plate holes mm

**CP1** 120 x 120



has cable entry



## Anti-Vibration Ceiling Plate

Internal damping system provides floating action to reduce vibration from above.

\* plate holes 120 x 185mm

Order Code Plate holes mm

**CPAV1** 120 x 185



has cable entry



## Large Ceiling Plate

For long column or heavy installations typically up to 70" or twin 57" screens.

Order Code Plate holes mm

**CP2** 240 x 240



has cable entry



## Tube Clamp

For suspending screens from lighting gantries, show stands or other structures. Screens up to 57".

Order Code

**TM05** for 50mm tubes



CP3

CP4



## Stub Column Ceiling Plate

Useful in low headroom situations. Allows direct connection of Unicol PSU projector mounts etc.

Order Code Plate holes mm

**CP3** 120 x 120

**CP4** 240 x 240



has cable entry



## Truss Clamp

For suspending screens and projectors from standard Truss.

- for truss 40 - 55mm dia

Order Code

**CT1** up to 57" screens



## Gantry Ceiling Plate

Primarily for spider gantry units (See Page 35). Has internal safety mechanism that allows limited movement of suspension column to protect ceiling fixings.

Order Code Plate holes mm

**CP5** 500 x 500

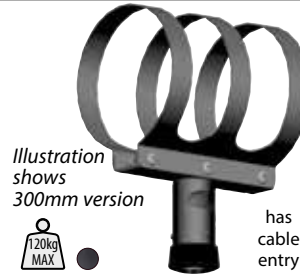


Illustration shows 300mm version

has cable entry



## Pipe Clamps

Available in a wide range of sizes. Please state pipe diameter when ordering.

Typical mount for 75 - 300mm pipe shown.

Order Code

**TM530**



has cable entry



## Tilting Ceiling Plate

For sloping or 'out of level' installations. Projectors & single screens up to 57".

Order Code Plate holes mm

**CP6** 120 x 120



Typical unit shown for pillar diameter of 600 - 625mm

## Pillar Clamps

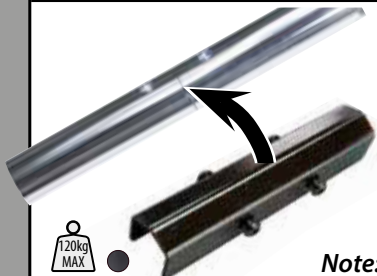
We manufacture these clamps in a wide range of sizes for circular pillars.

Order Code

**VCC1** Single Arm

**VCC2** Double Arm

(Triple-arm versions available - Call for details)



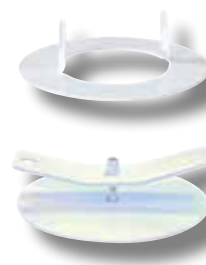
## Column Coupler

To enable columns with 'through bolt' holes to be joined together for vertical suspension. Coupler conceals neatly within column.

Order Code

**CC**

Note: For ceiling suspension use only



## Trim Disc

Gives a neat finish where columns pass through suspended ceilings.

Order Code

**TD1**

## Blanking Disc

Will blank any unwanted holes in ceiling tiles from 6mm to 60mm.

Order Code

**TDB1**



## Standard Column sizes

mm	Chrome finish Order Code	Stainless Steel Order Code
500	<b>500</b>	<b>SS 500</b>
1000	<b>1000</b>	<b>SS 1000</b>
1500	<b>1500</b>	<b>SS 1500</b>
2000	<b>2000</b>	<b>SS 2000</b>
2500	<b>2500</b>	<b>SS 2500</b>
3000	<b>3000</b>	<b>SS 3000</b>

Safety 'through bolt' holes must be used for suspension applications



## Safety Locking Ring

Necessary at the lower end of any ceiling suspension installation using column mounted components, where safety 'through bolts' are absent.

Order Code

**LR**



# Installation Components



## Single Column Tilting Adapter

Use with Pozimount and Xactmatch mounts when ceiling suspended.

- \* Variable tilt to 15°
- \* 360° swivel

Order Code  
**PS7**



## Girder Clamps

For girders 75 to 250mm & 350mm wide. Adjustable from level to extreme angles of tilt.

Order Code	Span mm
<b>GC25</b>	250
<b>GC35</b>	350

Wider span versions available.



## Single Column Adapters

Use in conjunction with Pozimount and Xactmatch mounts to position screens vertically on columns. Can also be used for fixing single columns to walls.

Order Code  
**PS3U1** As illustrated, for screens 33"-70"  
**PS5TB** Back-to-Back version



## Twin Ceiling Plates

For suspension of screens over 50" & floor to ceiling column installations using Floor Plates FP8 (see below). CP9 360° swivel version also listed.

Order Code	Version	Plate holes mm
<b>CP8</b>	Standard	220 x 180
	Swivel	240 x 240



## Single Suspension Adapters

Single column mount adapter for Pozimount and Xactmatch mounts when used for ceiling suspension.

\* 360° swivel  
Order Code  
**PS1** Single column - up to 70"



## Twin Column Adapters

Use in conjunction with Pozimount and Xactmatch mounts to position screens vertically on columns. Can also be used for fixing twin columns to walls.

Order Code  
**PS3V1** Twin column - 33" to 70"  
**PS8** Back-to-Back version



## Back-to-Back Single Suspension Adapter

Single column mount adapter for Pozimount and Xactmatch mounts when used for ceiling suspension.

Order Code  
**PS5** up to 70"



## Twin Column Suspension Adapter

Twin column mount adapter for Pozimount and Xactmatch mounts when used for ceiling suspension.

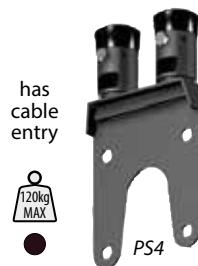
Order Code  
**PS12** Twin column - up to 70"



## Floor to ceiling Column Coupler

For mounting screens on two part columns.

Order Code  
**PS6U1** for screens - 33" to 70"



## Twin Column Back-to-Back Suspension Adapter

We advise the use of Twin Column suspension for large / heavy back to back installations or screens which may be subject to stress or wind loads.

Order Code  
**PS4** up to 70"



## Compact Bolt Down Bases

Offer minimal base footprint for fixed screen stands. M10 floor bolts (not supplied) fully recess into base. Trim caps complete the installation.

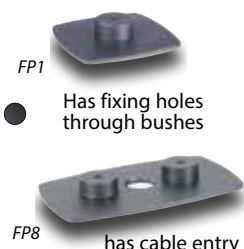
Order Code	mm
<b>ESF</b>	Single - 290w x 240d
<b>VSF</b>	Twin - 400w x 300d



## Twin Column Floor to Ceiling Couplers

For mounting screens on two part columns.

Order Code  
**PS6V1** VS Range - 33" to 70"



## Floor to Ceiling Base Plates

In single or twin column versions. Columns locate securely over bushes to give neat appearance.

Order Code  
**FP1** Use with CP1 (see page 22)  
**FP8** Use with CP8 (see above)

## Custom Made Accessories

We offer a service in making all kinds of special or non-standard accessories - Call us when planning your next installation.



## UNICOL PANARM™

## Range of Swivel Arms

All steel, lasting quality, user adjustable joint tensioning, full swivel & tilt plus screen levelling



EU Registered Design

### Compact Single & Dual Arms for screens up to 32inch

The extra versatility of our dual arm units provide increased viewing flexibility – good also in alcoves or corner situations. Unit folds 7.7cm to wall and reaches 46cm fully extended. Mount plate fits all small screen VESA sizes, has tilt to 10 degrees plus screen levelling fine adjustment.

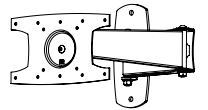
Order Code

**SRV** Single Arm – Fits VESA 75 x 75, 100 x 100, 200 x 100

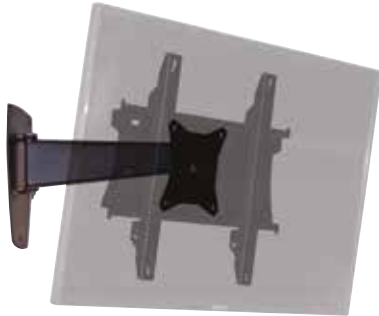
**SSV** Dual Arm – Fits VESA 75 x 75, 100 x 100, 200 x 100

Typically 15-32" screens

20kg MAX



These heavy duty (35Kg rated) swivel arms are fitted with our Pozimount universal screen mounts. Each arm version (single or dual) is listed with mounts suitable for either standard or small screen / portrait use.



EU Registered Design

### HD Single Arm for screens up to 57inch

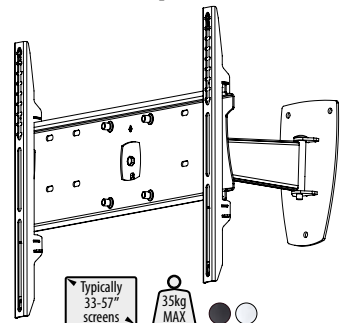
Arm fully extends to 43cm (11.5cm when folded flat) has full swivel & tilt plus screen levelling feature.

Order Code

**PLS1X1** Fits VESA 200 x 200 to 600 x 400  
(With Pozimount PZX1 for most standard applications)

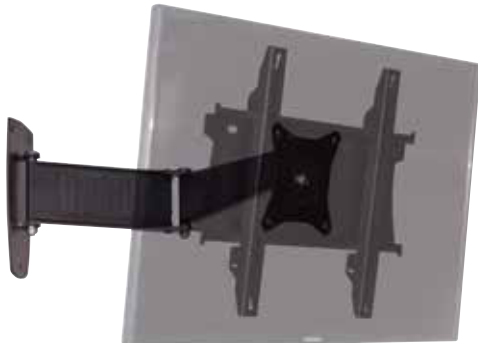
**PLS1X3** Fits VESA 200 x 200 to 400 x 400  
(With Pozimount PZX3 for small (32") screens or portrait mounting)

(For full Pozimount details see page 17)



Typically 33-57" screens

35kg MAX



EU Registered Design

### HD Dual Arm for screens up to 57inch

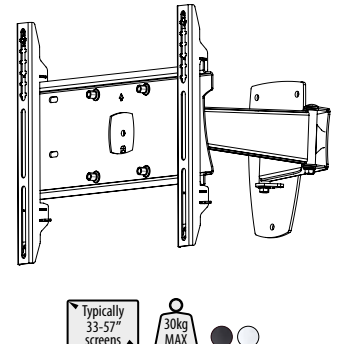
Offers enhanced degree of adjustment for more extreme viewing angles – Arm fully extends to 73cm (15.5cm when folded flat) has full swivel & tilt plus screen levelling feature.

Order Code

**PLA1X1** Fits VESA 200 x 200 to 600 x 400  
(With Pozimount PZX1 for most standard applications)

**PLA1X3** Fits VESA 200 x 200 to 400 x 400  
(With Pozimount PZX3 for small (32") screens or portrait mounting)

(For full Pozimount details see page 17)



Typically 33-57" screens

30kg MAX

### HD "Parallel Action" Dual Arm for screens up to 110inch



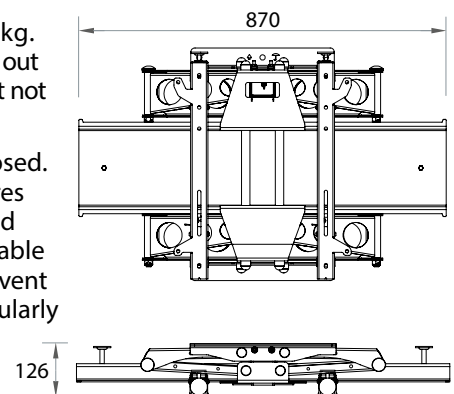
Robust construction for screens up to 130kg. Able to swivel left or right as well as track in and out in a parallel manner where its use in alcoves (but not exclusively) works particularly well.

Unit fully extends to 535mm. 126mm when closed. Comes complete with fine adjustment features for accurate screen positioning and has a cord release latch for locking when closed. Adjustable stops are included on the screen arms to prevent screens being pushed in at the sides – particularly useful when using touch screens.

Order Code

**PLA4** Fits VESA 400 x 400 - 900 x 600  
(Comes with fully adjustable arms)

Please provide us with the make and model of your screen.



Typically 71-110" screens

130kg MAX

# UNICOL Wall Arm System

## Wall suspension for screens, projectors, Guardboxes etc.

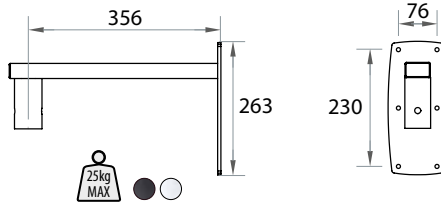
These standard wall arm units are designed for use with any of our screen or projector mounts, Guardboxes etc.

We manufacture two versions; WB1 allows direct connection of mount (using PS1 suspension adapter) and WB2 as a suspension column version. Wall arms can be fitted with any Unicol screen or projector mount listed in this catalogue.

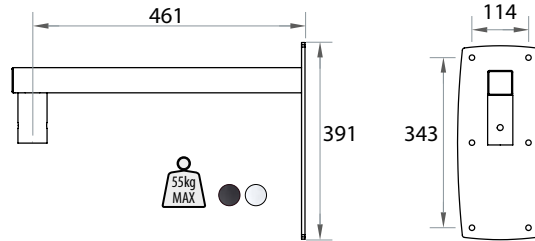
See pages 18 & 19 for screen mounts and page 23 for PS1 adapter.



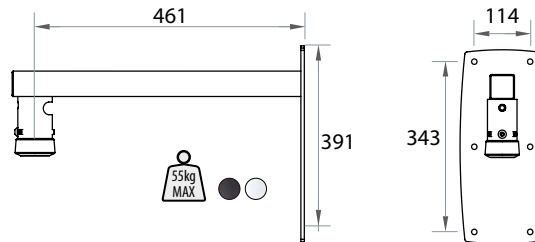
Order Code  
**WB0** Peg  
**WB02** Socket



Order Code  
**WB1** Peg



Order Code  
**WB2** Socket



Other arm lengths are available – Call us for details.

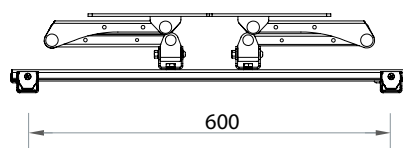
## HD "Parallel Action" Dual Arm for screens up to 70inch



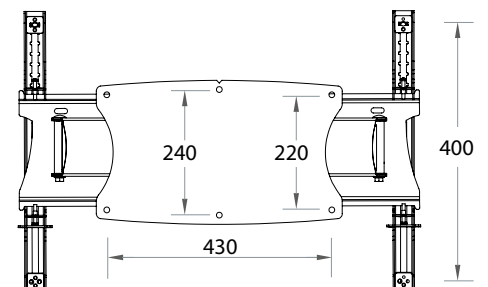
Robust construction for screens up to 60kg. Able to swivel left or right as well as track in and out in a parallel manner where its use in alcoves (but not exclusively) works particularly well.

Unit fully extends to 520mm. 150mm when closed. Adjustable tilt built in.

Order Code  
**PLA2XU** Fits VESA 300 x 300 to 600 x 400  
(Comes with Pozimount PZXU)



Typically 33-70" screens  
60kg MAX



150mm deep with mount attached



## Outdoor Housings



## Outdoor Housings for up to 80" screens

Unicol pioneered the development of outdoor housings and has unrivalled experience in this specialised field. Our well proven range of housings go from small screen monitors used in harsh environments right up to the latest 80inch large format screens.

All are constructed in 1050 grade aluminium and utilise high quality temperature control components within. Screen viewing panels in impact resistant polycarbonate are incorporated as standard, toughened or laminated glass is also available as an option.



### The UNICOL Difference

Why our outdoor housings look so good and work so well is because each and every one is tailor made to perfectly fit the screen specified. Our dedicated software and manufacturing capabilities enable us to do this and offer a prompt & reliable delivery, – usually within 7 to 10 days.

– a perfect result in rapid time!

### Your Choice of Square or Round Corner Housings

Order Code

**ODH0** Square Corners – 30" to 32"

**ODH1** Square Corners – 33" to 57"

**ODH2** Square Corners – 58" to 70"

**ODH3** Square Corners – 80"

Square Corners – 86" Stretched

Anti-reflective screen optional



Order Code

**ODR0** Round Corners – 30" to 32"

**ODR1** Round Corners – 33" to 57"

**ODR2** Round Corners – 58" to 70"

**ODR3** Round Corners – 80"

Anti-reflective screen optional

\* Slimline screens have enabled us to manufacture these housings in our new slimline style. These will always be supplied where the screen depth allows. – Please call us for confirmation if needed.



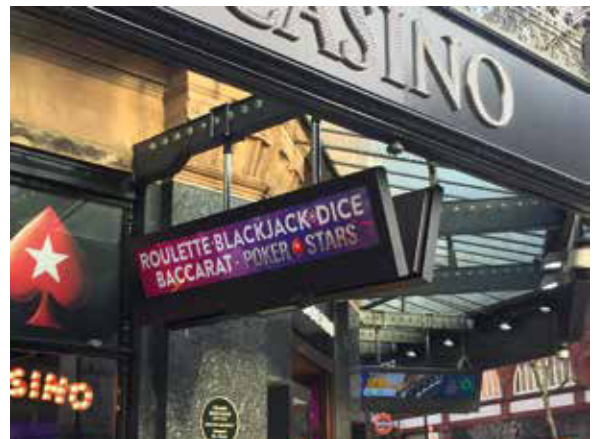
## ODH's for Special Applications

Unicol has been entrusted with many Outdoor Housing projects for special applications.

Shown here are ODH's manufactured for the LG 86" Ultra Stretch signage displays. These were required to be suspended back to back and tilted for optimum viewing angle.

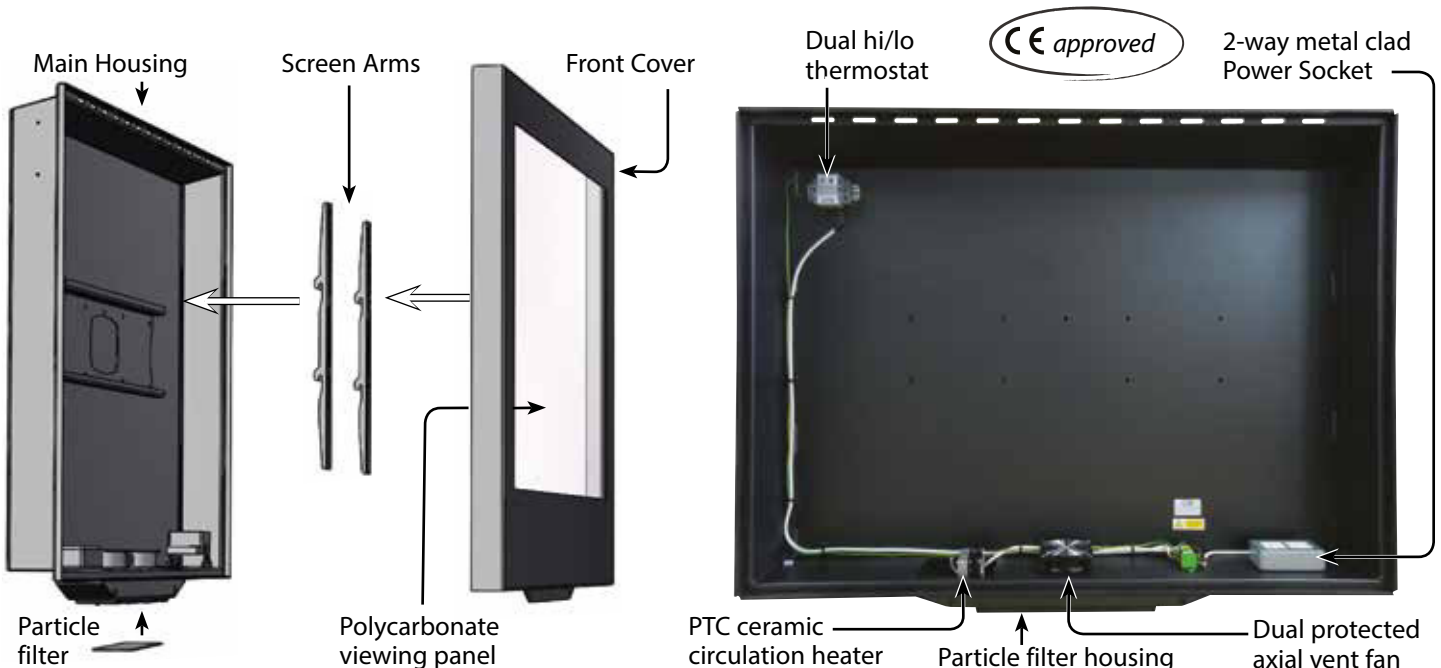
Our portfolio of ODH specials include housings for twin side by side screens, touch screens, housings for production line monitors and extra heavy duty versions for psychiatric hospital applications.

– Call us for technical advice on any special project needs



### *For the Technical: housings all feature the following:*

- \* Tailor made for perfect screen fit every time
- \* Wide range available – 32" to 86" screens
- \* IP53 rated with vandal resistant screen
- \* Corrosion free for long life in all weathers
- \* Light weight aluminium construction
- \* Wall, ceiling or back-to-back mountable
- \* Thermostatic internal Heating & cooling
- \* User replaceable cartridge air filtration



# UNIVERSAL LED MOUNTING SYSTEM



**VLED**® – The **UNICOL** patented universal LED mounting system

### Unicol VLED 'Tile' Videowall Static Version

With 'tile module' LED displays offering the ability to configure seamless displays in previously unattainable scale - typically 8m x 3m or larger and in any desired format i.e. normal screen, stretched landscape or extended portrait, the need for a safe and well engineered support structure has become all the more essential.

Unicol has been at the forefront of developing support systems for indoor 'tile module' LED displays, resulting in the patented LED structure system described here. This safe, precision made and adaptable structure can be configured either for free-standing, floor to wall or ceiling suspension.

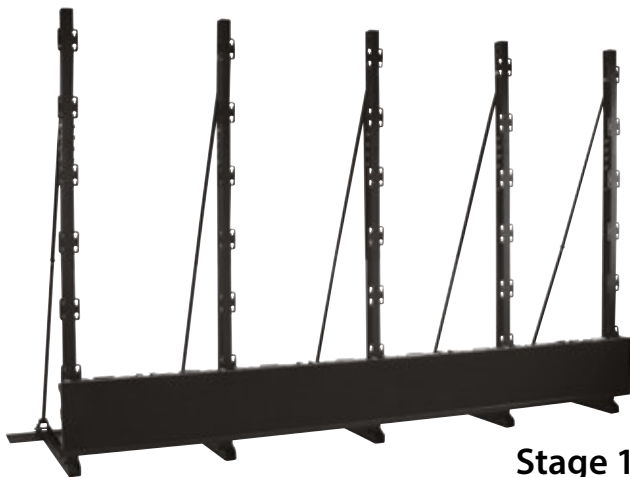
### Unicol VLED 'Tile' Videowall Roller Trak Version

Enables 'once configured' (cabled & connected) videowall systems to be rolled tight to a wall to preserve valuable retail floor space. Also used where videowalls are installed within shop window displays and periodic front access is required.

The Roller Trak version enables the whole videowall to be rolled smoothly back and forth on precision bearings. Removable track sections are supplied for use during installation and these clip in place to extend the tracks for the necessary extra movement in either direction.

### Free-Standing Structure System

Shown below in its build up stages. The basic mast units offer sure and precise location of the LED chassis and carry dedicated brackets designed to suit all popular makes of LED tile systems. These key features make the LED tile system universal and uniquely easy to use.



Stage 1



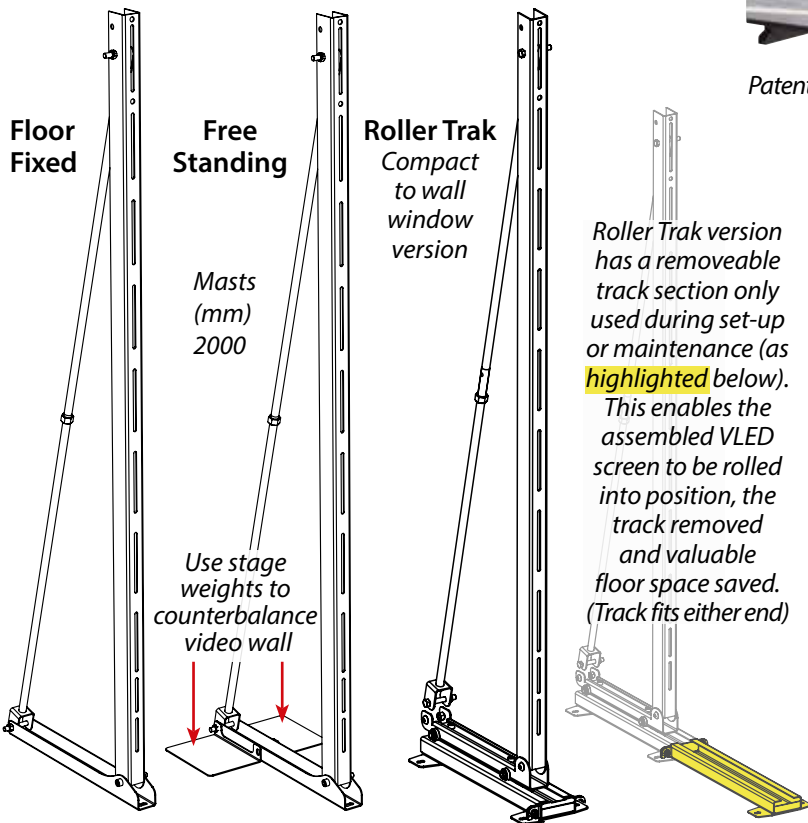
Stage 2



- \* Free standing, fixed & rolling installation versions  
Floor to ceiling & floor to wall installation versions  
Ceiling suspension or curved screens also possible
- \* Custom designed versions possible to meet specific architectural or special project needs
- \* Simple on-site assembly and easy LED chassis location
- \* Structures for most LED tile system makes / models
- \* Installer and maintenance friendly
- \* Expert advice for any project being considered

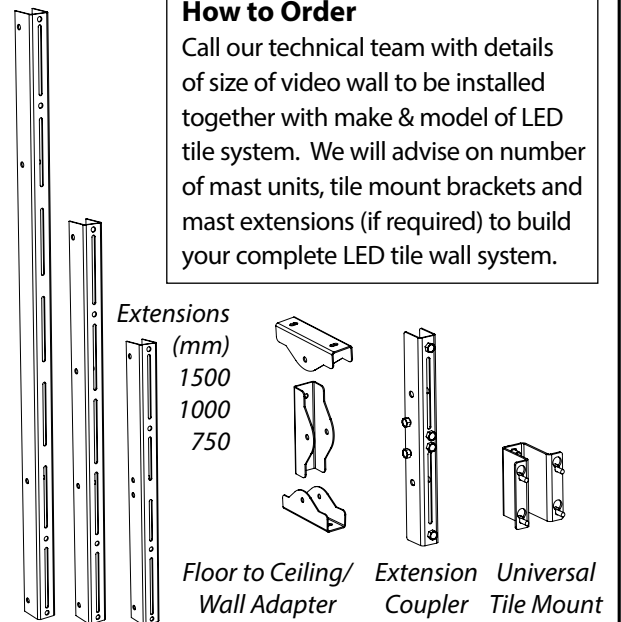


Patent No. – GB1616898.1



### How to Order

Call our technical team with details of size of video wall to be installed together with make & model of LED tile system. We will advise on number of mast units, tile mount brackets and mast extensions (if required) to build your complete LED tile wall system.



### Mast Versions

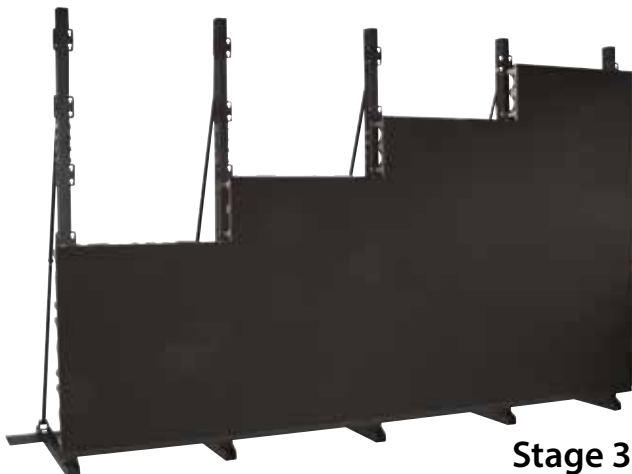
<i>Order Code</i>	
<b>LDFF</b>	Floor Fixed System
<b>LDFS</b>	Free standing System
<b>LDRT</b>	Roller-Trak System

### Extensions

<i>Order Code</i>	
<b>LDE75</b>	750mm Extension
<b>LDE100</b>	1000mm Extension
<b>LDE150</b>	1500mm Extension

### Extension Coupler & Universal Tile Mount

<i>Order Code</i>	
<b>LDEC</b>	Extension Coupler
<b>LDUM</b>	Universal Tile Mount
<b>LDA1</b>	Floor to ceiling/wall adapter



Stage 3



Stage 4

## ADAPTA-WALL®

Patent Pending Registered Design

**The installer friendly Pop Out mount loaded with innovative features.**

- \* With standard 'Push to close - Push to open' action. Also available with remote latching system where closure with absolutely no screen contact in the case of ultra thin or delicate displays is required.
- \* For widest range of screen fixings; VESA 200 x 200 to 800 x 400mm.
- \* Full screen adjustment in all planes.
- \* For screens up to 45Kg.
- \* Accurate horizontal / vertical centre line marks on all back plates for easy set up. (Set up templates also available).
- \* For direct wall fixing or use with our video wall structure components for ceiling, floor to ceiling or floor to wall applications.
- \* Optional 'pull cord' security feature prevents unauthorised 'Pop out' operation in public areas or any situation required.

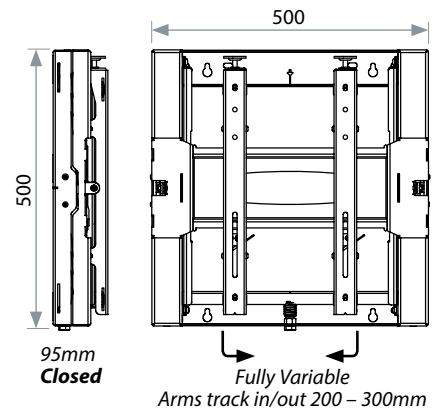


### Compact Version

Order Code  
**VWP0**

The compact size of this version is for screens up to 40" & covers VESA sizes 200 to 300mm. Comes complete with fine adjustment features for accurate screen positioning.

Fits VESA  
200 x 200mm  
300 x 300mm  
(and any screen fixings in between)

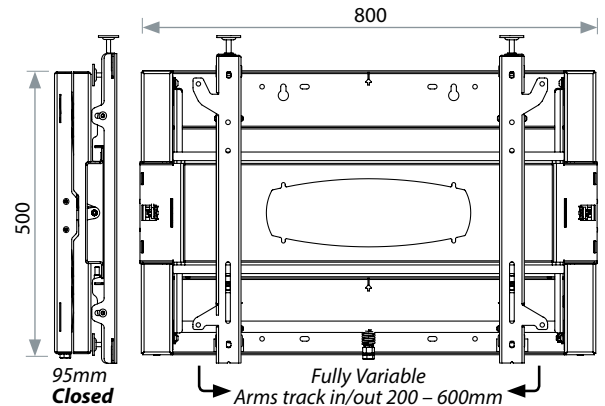


### Standard Version

Order Code  
**VWP1**

Ideal for most video wall applications and covering a wide range of VESA sizes. As with all Adapta-Wall mounts comes complete with fine adjustment features for accurate screen positioning.

Fits VESA  
300 x 300mm  
400 x 400mm  
600 x 400mm  
(and any screen fixings in between)



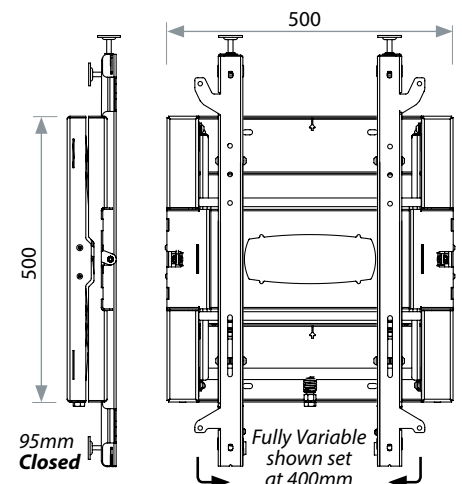
For screens with VESA 800 x 400mm fixing points a stretched version, VWP3 is available

### Portrait Version

Order Code  
**VWP2**

The compact (500mm) width of this version allows use of screens in portrait mode whilst accommodating a wide range of VESA sizes.

Fits VESA  
300 x 300mm  
400 x 400mm  
400 x 600mm  
(and any screen fixings in between)



\* All versions can be direct wall fixed or used in conjunction with our Adapta-Wall structure system fittings

# Pop Out Mount Video Wall Structures

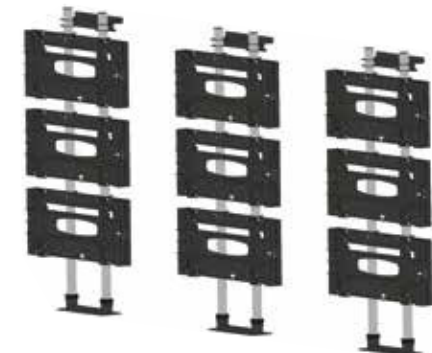
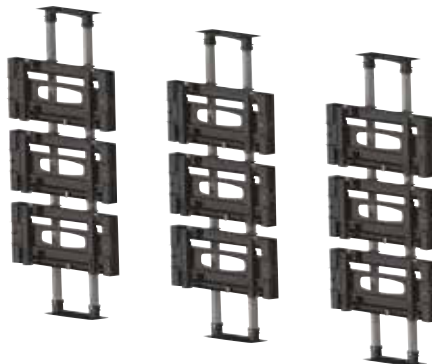
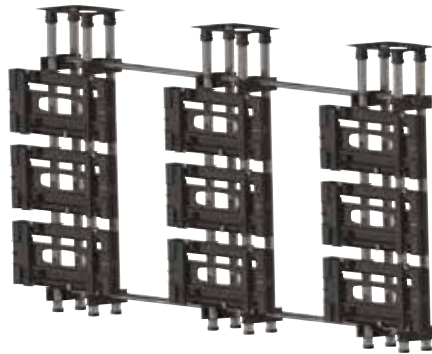
Adapta-Wall structure system is designed for use with our Pop Out mounts where direct wall fixing is not appropriate. Ceiling / floor to ceiling / floor to wall structures can be constructed easily, using multiples of the parts listed below together with standard Unicol columns.

We offer a rapid free design service (with full drawings & technical information supplied). Call us for any installation being considered.

## Ceiling Suspended

Uses four column parts to provide a rigid suspended structure and increased spread for ceiling fixings. Structures consist of;

- Quad Ceiling Plates VWPA10
- Tie Braces VWPA1
- Safety Locking Rings LR
- Columns (see Page 20)
- Adapta-wall Pop Out mounts
- Mount U-Clamps VWPA5



## Floor to Ceiling

Uses twin column parts to provide anchorage at floor and ceiling levels. Structures consist of;

- Floor Plates VWPA4
- Twin Ceiling Plates VWPA2
- Columns (see Page 20)
- Adapta-wall Pop Out mounts
- Mount U-Clamps VWPA5

## Floor to Wall

Uses twin column parts to provide anchorage at floor and wall positions. Structures consist of;

- Floor Plates VWPA4
- Wall Plates VWPA9
- Columns (see Page 20)
- Adapta-wall Pop Out mounts
- Mount U-Clamps VWPA5



3x3x46" Ceiling Suspended video wall, Cheshire University



8x3x55" Curved video wall for Emirates Airline, Thames cable car, London

## Four Column Structure Parts



### Ceiling Plate

Order Code  
**VWPA10** Quad Ceiling Plate



### Tie Brace Units (pair)

Use with 4 column structures. These neat units connect vertical and horizontal columns to form a rigid structure.

Order Code  
**VWPA1** Tie brace units (pair)

### Locking Rings

Column safety end stops, -necessary for all ceiling suspension installations.

Order Code  
**LR** Locking Ring



## Twin Column Structure Parts



### Ceiling Plate

Order Code  
**VWPA2** Twin Ceiling Plate



### Wall Plate

Order Code  
**VWPA9** Wall Plate



### Floor Plate

Order Code  
**VWPA4** Twin Floor Plate



### Mount U-Clamps (set of four)

To fit Adapta-wall mounts to columns. (Universal for all Adapta-wall structures).

Order Code  
**VWPA5** U-Clamps



# ScreenRail Universal Mounts



Photo courtesy of Pioneer Digital Solutions

## ScreenRail™

### ScreenRail Universal Multi-Display System

A highly adaptable rail system for mounting flat screens in-line, in any number. –Ideal for Digital Menus, Telepresence, basic Video walls etc.

ScreenRail system comprises a choice of 3 standard rail modules and a range of screen arms to cover all applications. The screen arms are listed in standard non-tilting & tilting versions & for displays in portrait or landscape. Other options include micro adjustable arms for precision alignment of screen faces.



2 x MD2U70 shown with VWA1 Arms

60kg MAX per screen

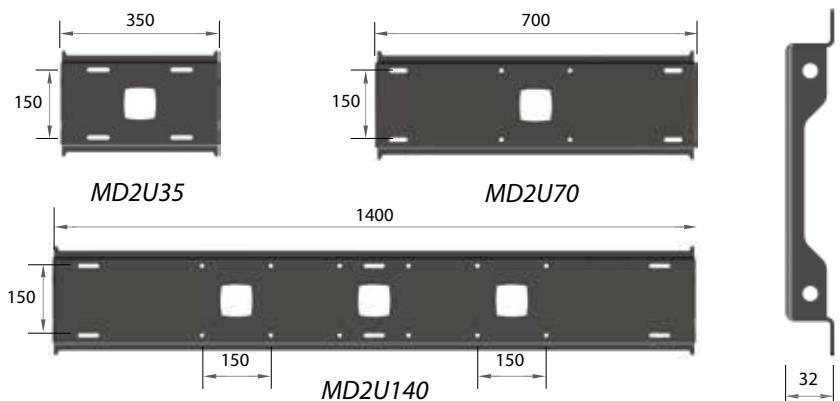
### How to order

Select any combination of rail modules and screen arms for your installation. (Total rail length should be just shorter than the total length of the display to allow the screen arms ample latitude when fitted to the VESA locations).

### Rail Modules

In 3 standard lengths, all with identical section profile for full interchangeability. Provision for bolting together as required. May be direct wall fixed, with or without tilt extension brackets (SR10 / SR20) or ceiling suspended.

Order Code	mm
<b>MD2U35</b>	350(w) x 45(d)
<b>MD2U70</b>	700(w) x 45(d)
<b>MD2U140</b>	1400(w) x 45(d)

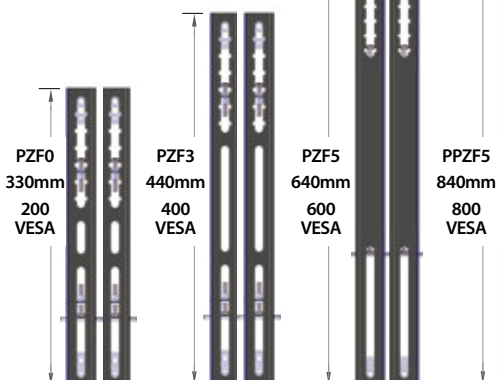


Other lengths available to order: 450(w), 800(w), 1200(w), 1700(w), 1800(w), 2100(w) – Call for details

### Standard Arms

As used on our Pozimount universal mounts. Supplied with M4, M5, M6 & M8 fixing screws. Arms incorporate 5mm screen levelling feature and are 45mm deep.

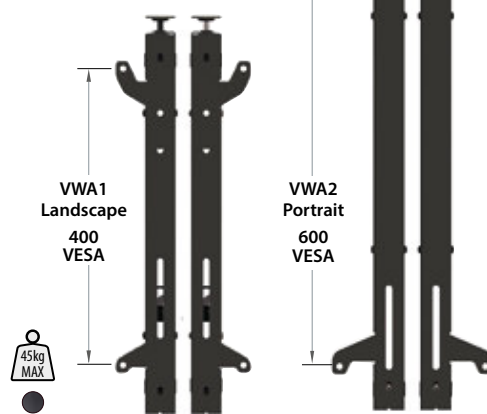
Order Code	length
<b>PZF0</b>	330mm
<b>PZF3</b>	440mm
<b>PZF5</b>	640mm
<b>PPZF5</b>	840mm



### Tool-less Adjustable Arms

Feature 15mm in-out adjustment and 15mm of levelling fine adjustment. Side to side adjustment included.

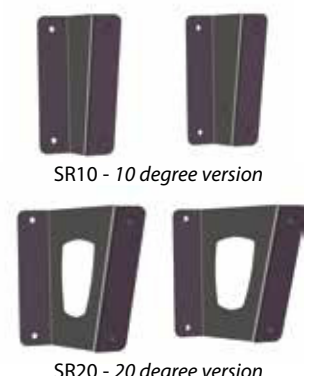
Order Code	
<b>VWA1</b>	Landscape
<b>VWA2</b>	Portrait



### Fixed Tilt Stand-off Brackets

Use these optional brackets to provide tilted display whenever required. 10 or 20 degree tilt versions listed.

Order Code	
<b>SR10</b>	10° tilt (pair)
<b>SR20</b>	20° tilt (pair)



## Free Standing Video Walls & Roller Trak



### Free-standing video wall system

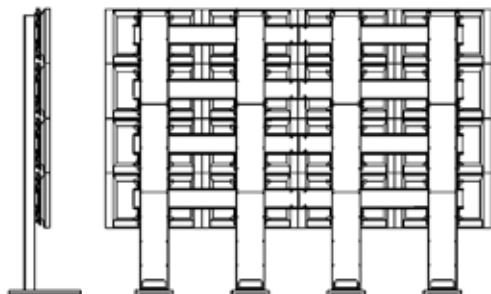
Ideal for situations when quick, easy and accurate assembly is required such as hire and retail, where regular change is inevitable.

This robust modular structure is made of individual mast units that are joined with cross members enabling a 4-high display unit to have infinite width, (3-high display units are also available). Cable management runs are catered for and there is adequate space for players or PCs.

Each display fixes to the VWP1 standard 'Push to close - Push to open' video wall mount capable of VESA 200 x 200 to 800 x 400, for displays up to 45kg. (See Page 30) The mount allows for tool-less adjustment in all planes by means of knurled wheels for in-out and up-down movement. Lateral action is achieved by sliding the display smoothly on wheels located in the mount arms.

- \* **Robust modular construction**
- \* **Easy to assemble and install**
- \* **Wide choice of screen options**
- \* **Space for players and PCs**
- \* **Discreet cable management**
- \* **'Push to open' - 'Push to close' mounts**
- \* **Tool-less screen adjustment**

– Call us for details



4 x 4 Video wall illustrated uses 46inch displays

## Retail Window Solutions

Ideal for retail and other applications to enable screens to be tracked in / out or from side to side, thus opening exciting possibilities for window displays, dynamic presentations, servicing needs or just access for screen / store front cleaning.

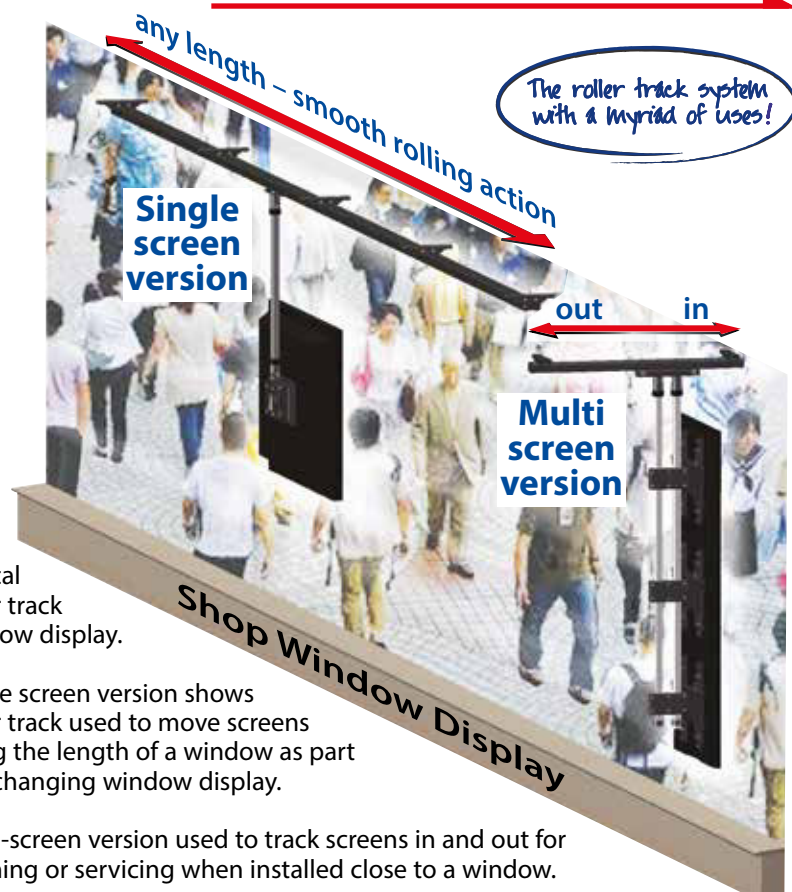
AV Roller Trak system consists of track lengths of standardised design which carry smooth running ball bearing trolley units. Standard Unicol column lengths & screen mounts complete the installation.

- \* **Smooth, easy operation**
- \* **Single or multiple screens**
- \* **Wide choice of track lengths**
- \* **Swivel or Rotamount options**



– Call us for full system details and options.

## AV Roller Trak™



Typical roller track window display.

Single screen version shows roller track used to move screens along the length of a window as part of a changing window display.

Multi-screen version used to track screens in and out for cleaning or servicing when installed close to a window.

## Floor to Ceiling and Floor to Wall Systems

These are available in standard (single column) and heavy duty (twin close column & 'goal post') versions, giving the option of single sided, back to back or multiple screen presentation. Floor to wall options are built up in the same way from the standard installation accessories listed on Pages 22 & 23 of this catalogue to give an almost infinite range of options.

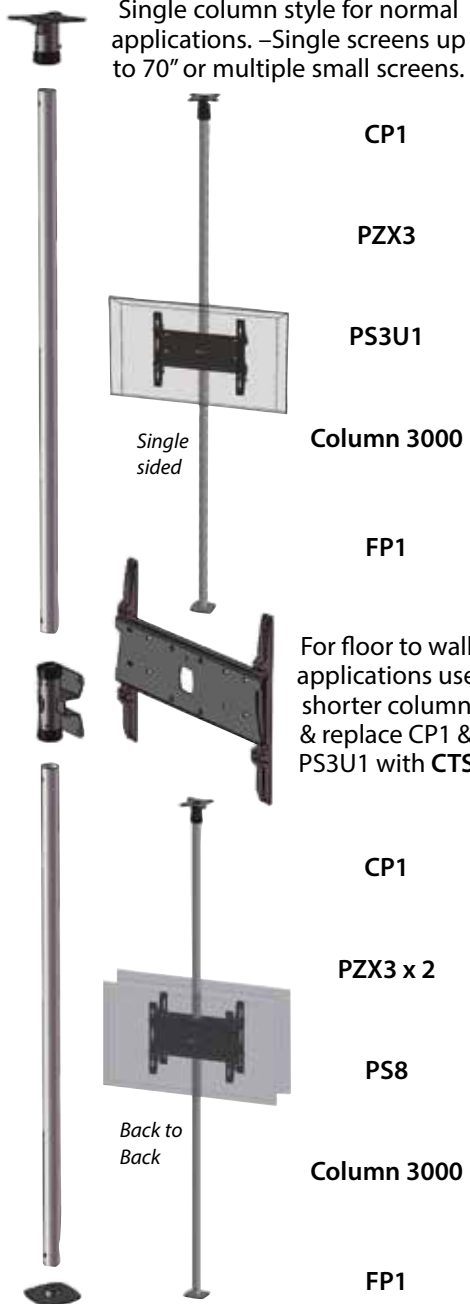
– Our technical support team are pleased to advise on the best choice for any installation project being considered.



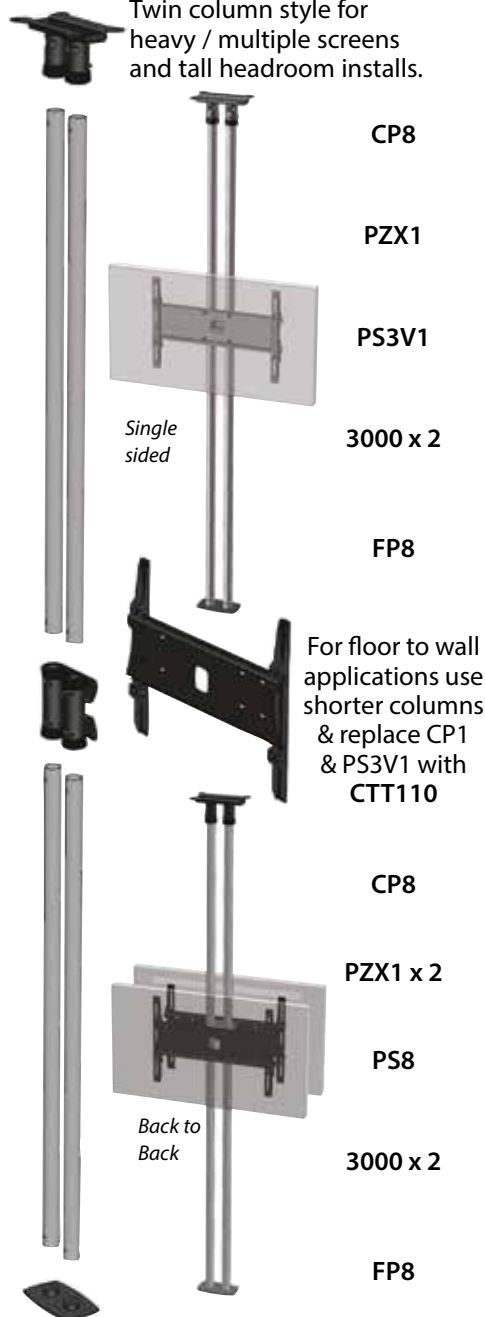
Typical corporate hidden floor to ceiling installation

There are three standard methods of installing screens both floor to ceiling and floor to wall, typical components shown below:

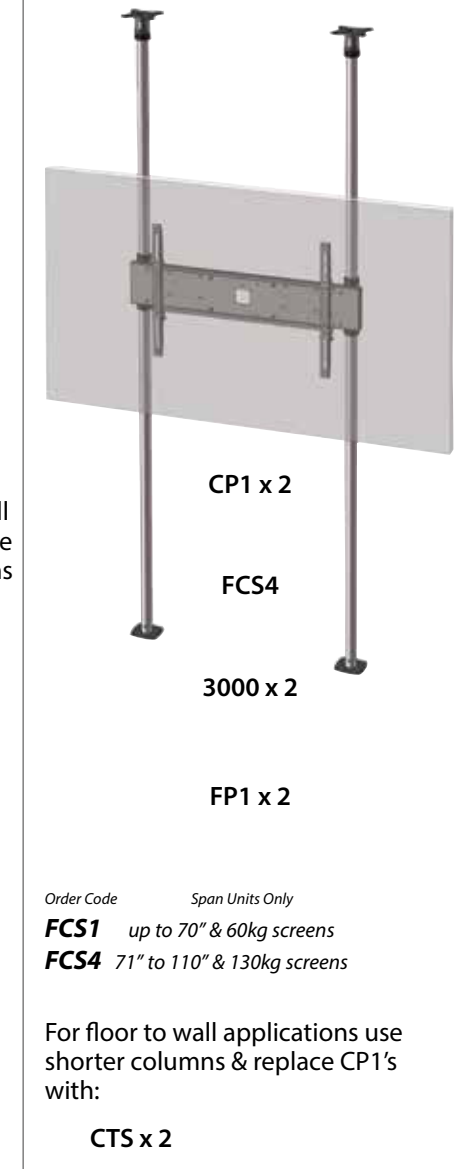
Single column style for normal applications. –Single screens up to 70" or multiple small screens.



Twin column style for heavy / multiple screens and tall headroom installs.



Goal post style using a span mounting unit for large displays or touch screens. Can be used for floor to ceiling or floor to wall applications.



(The range of installation components for columns, ceiling & floor plates is shown on Pages 22 & 23)



# Multi-Screen Gantry Systems

## Spider Gantries

These ceiling mounted units are available for a wide range of screen sizes incorporating our Pozimount universal tilting screen mounts. The spider style and single column gantry versions have swivel capability and all have cable entry ports for neat installation.

By their very nature all spider style and in-line gantries incorporate parts which are factory made to suit specific requirements but all versions are available on a short turn round basis.

Call our technical support team for advice on any project or installation being considered.



Spider – triple screen unit



\* We also manufacture gantries for projectors  
–Call us for details

## In-line Gantries

Spider – five screen 'pentagon' unit



CP5 Ceiling Mount

Side View



Single sided In-line gantry



Back-to-back In-line gantry

Side View



Typically 33-57" screens



Typically 33-57" screens

Spider five screen gantry - illustration shows typical gantry main frame. Add heavy duty column / CP5 ceiling mount (special to these gantries) & screen mounts (pages 18/19).

Order Code

- SG3** 3 screen spider gantry - max weight per screen 50Kg
- SG4** 4 screen spider gantry - max weight per screen 50Kg
- SG5** 5 screen spider gantry - max weight per screen 40Kg
- CP5** Large gantry ceiling mount for use with above (Page22)

Order Code Bar Length (mm)

- DIG5** 100-500
- DIG10** 500-1000
- DIG15** 1000-1500
- DIG20** 1500-2000

Order Code

- MSS1** Bolt on socket
- MSP1** Bolt on peg

In-line gantries require MSS1 sockets or MSP1 pegs (above), Single sided require PS1s, Back-to-Back PS5s (Page23). All require Screen Mounts (Pages 18/19).

Product codes & prices listed are intended as a guide as most gantry installations are 'project driven' with the make/model & number of screens as well as the location already chosen. Call our technical team who have wide experience in advising the necessary mount component 'package' to best meet the needs of your installation.

# Protective Covers & PC Housings



## Screen Protective Covers

5mm thick, clear, anti-shatter screen with a metal bezel provides a durable front cover for screens.

Two landscape versions are available, one that clips to the screen (square corners only), the other attaches to the wall (square & rounded corners available). For portrait versions use order code PCP instead of PCL below. Anti-reflective screens also available.

We can supply bespoke versions in branded colours including logos. – Call for details.

## Landscape clip-on (square corners)

Order Code	Square corners only
<b>PCL0</b>	Clip-on - 15" to 32"
<b>PCL1</b>	Clip-on - 33" to 57"
<b>PCL2</b>	Clip-on - 58" to 70"

## Landscape wall mounted (square or rounded corners)

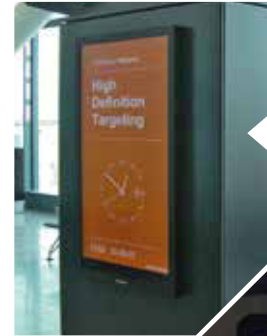
Order Code	Square corners
<b>PCL5</b>	Wall mounted - 15" to 32"
<b>PCL7</b>	Wall mounted - 33" to 57"
<b>PCL8</b>	Wall mounted - 58" to 70"

Order Code	Rounded corners
<b>PCL10</b>	Wall mounted - 15" to 32"
<b>PCL11</b>	Wall mounted - 33" to 57"
<b>PCL12</b>	Wall mounted - 58" to 70"

Anti-reflective screen – additional price

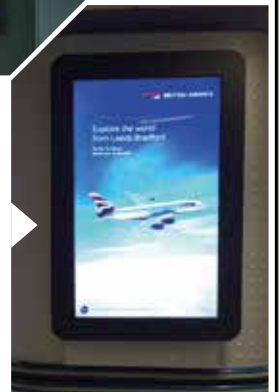


Typical landscape clip-on version with square corners



Portrait wall mounted Cover PCP7 with standard square corners. (bespoke screen branding retained) – Heathrow Airport T5

Portrait wall mounted Cover PCP11 with rounded corners London City Airport



Tesco Stores

## Rear Covers

We design and manufacture custom made rear covers for a wide range of screen sizes. These enhance any installation and provide a neat appearance enabling cables & connections to be hidden when screens are installed in open areas.

Full screen versions or partial covers to enclose only the cables & connections are available.

Order Code	
<b>BCW1</b>	Full covers - screens 33" to 57"
<b>BCW2</b>	Full covers - screens 58" to 70"



Call us for details quoting make & model of screens being installed



Birmingham Bullring

## Screen Mount / PC housing combinations

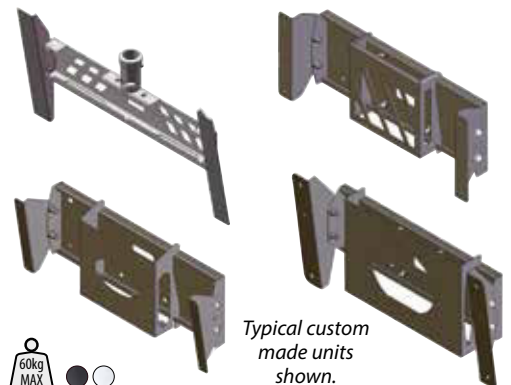
We manufacture screen mounts incorporating housings for small form factor PCs. These units greatly reduce installation time. Units are listed below incorporating our Pozimount universal mounts in tilting & non-tilting versions.

Custom made, security locking versions & power socket options also available.

Order Code	
<b>PCZW</b>	Universal PC Housing Tilting
<b>PCZX</b>	Universal PC Housing non-Tilting

Universal Mount Version

Housing inner dimensions 320(w) x 100(d) x 330(h) mm



Typical custom made units shown.



State make & model of screen & PC to be housed



# Totems & Kiosk Style Enclosures

Kiosk style enclosures for large format screens in floor-fixed and free standing versions. Ideal for indoor digital signage applications.

Our Special Projects Design department has been engaged in the ongoing development of these units and can produce conceptual and production versions for many varied applications. Versions shown below include single column with domed base, wide column for large screens, complete kiosk for 75" display with plinth protection and freestanding twin column unit.



- \* Single or back-to-back displays
- \* Interactive touch foil option
- \* Internal air circulating fans
- \* Polycarbonate screen cover
- \* Laminated glass option
- \* Easy to assemble and install
- \* Bolt down or free-standing
- \* Branding options available
- \* Access panel for easy maintenance
- \* Sinterflex black and other finishes
- \* Optional plinth protection
- \* Wide choice of screen options
- \* Square or rounded corners
- \* Space for players and PCs
- \* Fast order turnaround

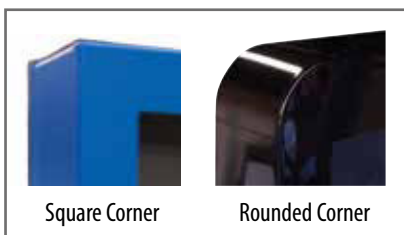


– Call us for details

## K-Touch Kiosk

Trolley or wall mounted for 40" to 75" screens in portrait or landscape. It has a touch foil on 6mm laminated glass with 2 point or 20 point touch options.

Call us for details stating make & model of screen



Square Corner

Rounded Corner

Screen Size	Order Code	Standard Single Sided		Standard Back to Back	
		2 x Square Corners	2 x Rounded Corners	2 x Square Corners	2 x Rounded Corners
46"	Order Code	TOTEM461	TOTEM463	TOTEM462	TOTEM464
55"	Order Code	TOTEM551	TOTEM553	TOTEM552	TOTEM554
65"	Order Code	TOTEM651	TOTEM653	TOTEM652	TOTEM654
75"	Order Code	TOTEM751	TOTEM753	TOTEM752	TOTEM754



\* For single and twin column versions please call for details.



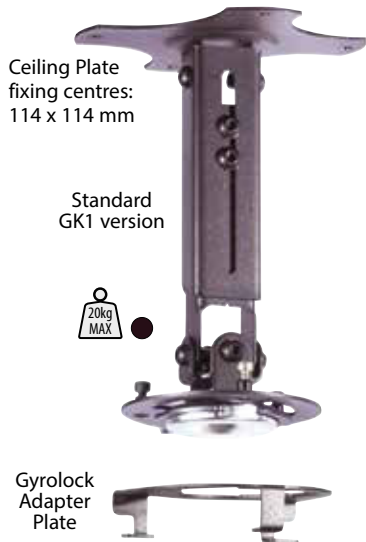
# Gyrolock Projector Mounts – Adapter Plate Range

## Gyrolock® ~ With Trilok® Docking System

The Trilok docking system uses a standardised 'bayonet style' fitting to carry projector mounting plates made specifically to fit each make & model of projector (a universal version also listed). The docking system allows easy projector set up, removal for routine maintenance and for future model change.

10  
Years  
of  
proven  
design

Over 150,000 sold!



\* **Installer friendly – Standard GK1 version fits anyway up, ceiling, wall or base fixable**

\* **Projector locks into Trilok® docking system, using either our dedicated Gyrolock Adapter Plates (GAP) or universal adapter (GAPU)**

\* **Full tilt & turn adjustment for easy screen set up**

\* **Telescopic – for use through suspended ceilings or in any high, low or normal headroom situation**

\* **Safety rated for projectors up to 20Kg ceiling mounted or 12Kg wall mounted (GK1 only)**



Select any of these versions to suit your headroom needs.

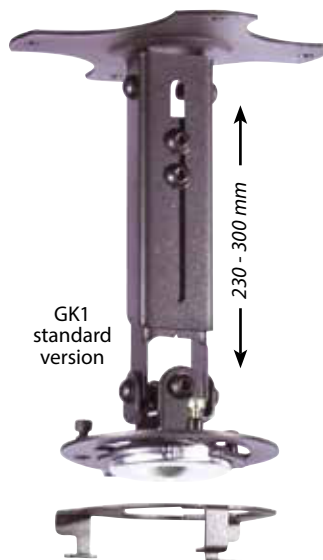
All use the Trilok docking system and are supplied with either a dedicated projector mount (GAP) or optional universal adapter plate (GAPU).



### Close Ceiling Version

Order Code max weight  
**GKC-GAP** 20kg  
(Projector adapter plate version – state projector make & model).

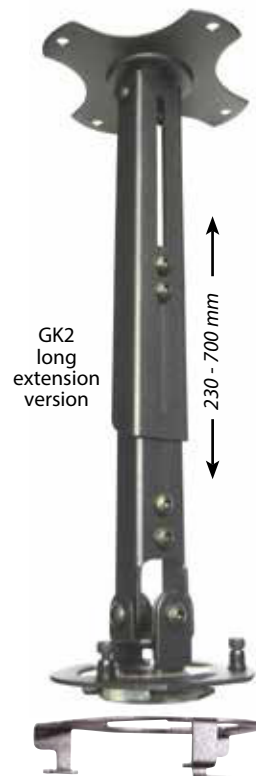
Order Code max weight  
**GKC-GAPU** 12kg  
(Universal projector mount version)



### Standard Version

Order Code max weight  
**GK1-GAP** 20kg  
(Projector adapter plate version – state projector make & model).

Order Code max weight  
**GK1-GAPU** 12kg  
(Universal projector mount version)



### Long Extension Version

Order Code max weight  
**GK2-GAP** 20kg  
(Projector adapter plate version – state projector make & model).

Order Code max weight  
**GK2-GAPU** 12kg  
(Universal projector mount version)



### Column Suspension Version

Gyrolock 'head' complete with adapter plate (or universal mount). –Needs column and ceiling plate (see Page 20) to complete your installation.

Order Code max weight  
**GK4-GAP** 20kg  
(Projector adapter plate version – state projector make & model).

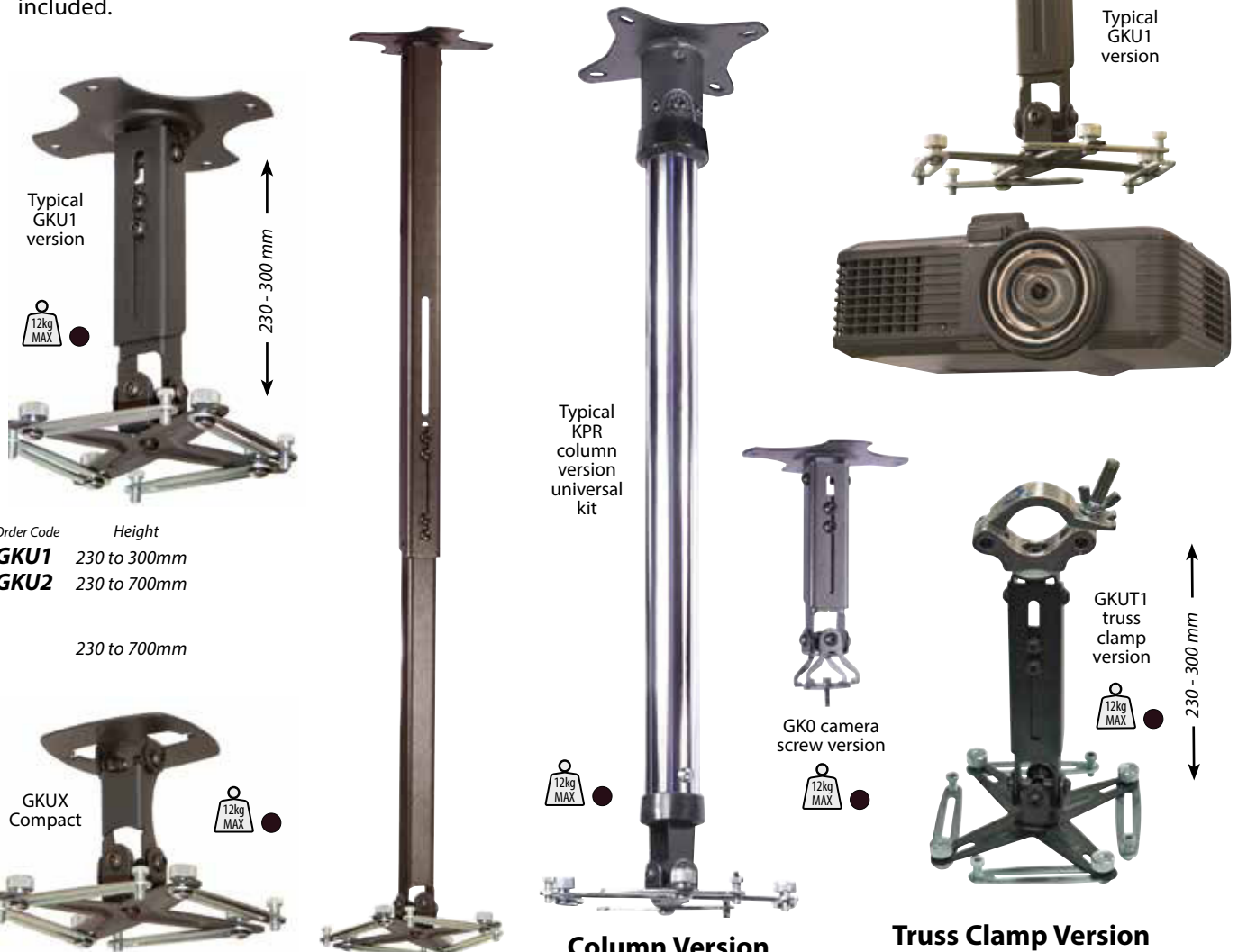
Order Code max weight  
**GK4-GAPU** 12kg  
(Universal projector mount version)

# Gyrolock Projector Mounts – Universal Mount Range

These products are the subject of UK and USA design rights. UK Registered Design 3071575. UK Trade Mark 2244062. US Patent 10/049390.

## Gyrolock® ~ With Universal Mounts

These universal mounts offer a wide range of adjustment not only to cover widely differing projector screw fixing centres but also allow clearance for contour variations often found in projector design. A universal screw pack to cover most projectors is included.



Typical GKU1 version



230 - 300 mm

Order Code	Height
<b>GKU1</b>	230 to 300mm
<b>GKU2</b>	230 to 700mm

230 to 700mm

GKUX Compact



**Gyrolock Long**  
Adjustable from 700 to 1200mm

Typical KPR column version universal kit



### Column Version Universal Kits

Order Code	Column mm
<b>KPR15CB</b>	500
<b>KPR110CB</b>	1000
<b>KPR120CB</b>	2000
<b>KPR130CB</b>	3000

GK0 camera screw version



GKUT1 truss clamp version



230 - 300 mm

### Truss Clamp Version

Universal mount with standard truss clamp fitting. For all trusses 45 – 55mm dia.

Order Code	Extension mm
<b>GKUT1</b>	230 - 300
<b>GKUT3</b>	700 - 1200

## Gyrolock Parts & Accessories



Wide range available

### Adapter Plates

Enables changeover whenever replacing projector. State make & model when ordering.

Order Code  
**GAP**



EU Registered Design 00221072-0001

### Universal Adapter Plate

Designed to fit most projectors.

Order Code  
**GAPU**



### Column Suspension Version

Universal mount for direct column connection. See Page 20 for columns & ceiling plates.

Order Code  
**GKU4**



### Gyrolock Trim Disc

Shaped to fit Gyrolock mast. Gives a neat finish to installations through suspended ceilings.

Order Code  
**GKTD**

\* For standard column trim discs see page 18.

# Projector Suspension Units



Copyright Hilary Lloyd, Photo courtesy of Sadie Coles HQ, London

Our PSU (Projector Suspension Unit) range covers all makes of projectors. Each mount is specifically designed for the individual projector models listed, supporting the projector either inverted or in a cradle according to manufacturer's recommendations.

## Direct Fixing



PSU shown

The preferred method of projector mounting. All our PSU mounts are designed to align accurately with the projector mounting holes and take account of cooling or lamp access needs.

All PSU mounts are now available as micro adjustable versions having 2 axis, level & tilt. (See centre panel).

Order Code

- PSU** Standard direct fixing version
- PSC** Cradle direct fixing version
- VSU** Vertical down aspect version
- PPSU** Portrait version
- PSM** Micro-adjustable version

## Trim Disc

Gives a neat finish where columns pass through suspended ceilings.

Order Code

**TD1**



## Cradle Units



CSU shown

An alternative method of projector mounting, either to meet a projector's optical needs or to give protection to projectors when used in 'location to location' or hire circumstances.

## Micro Adjustment®

This 2 axis micro adjustment factory fitted option is available for most PSU units and provides a range of precision adjustment in level and tilt.



Registered Design



## PSU Specials



We have a wealth of expertise in the design and manufacture of all kinds of projector suspension units to meet client's special requirements. These include mounts for downward or upward projection, multi-projector units, 3D rigs and one-off projects.

– Call us when planning your next installation

**Our range now extends to over 600 PSU projector suspension units!**



Photos courtesy of Smelling Business Systems



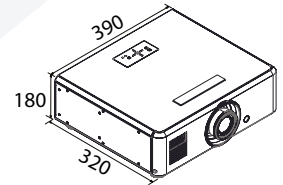
# Guardbox Projector Security Cages

## GUARDBOX® Anti-theft Enclosures

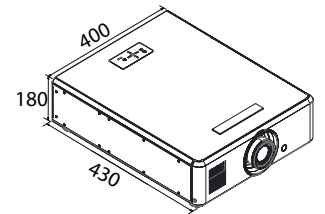
Constructed from heavy gauge steel and incorporating many innovative features. Five sizes are available covering a wide range of projectors. Each Guardbox incorporates our unique twin bar system, designed to fit into a number of slots for different projector lens positions. Each bar has another bar fitted inside making it virtually impossible to hacksaw through.



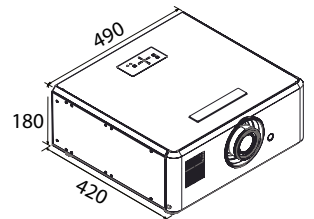
Order Code  
**PGX**



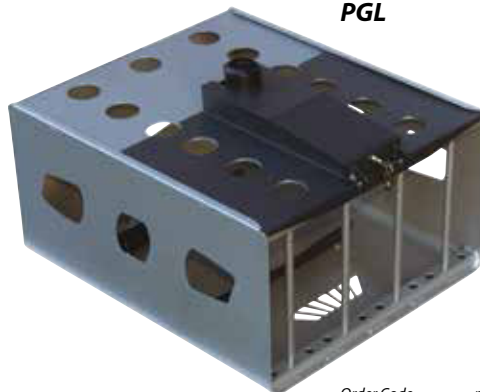
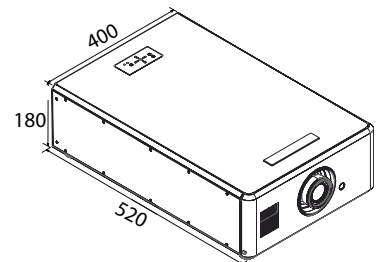
Order Code  
**PGS**



Order Code  
**PGM**



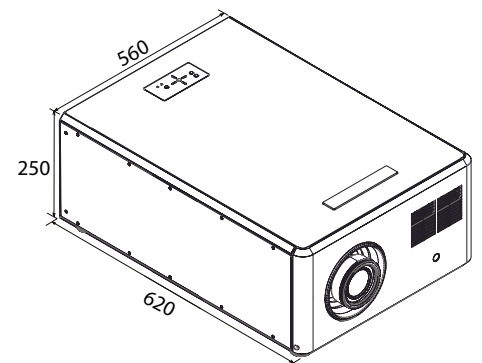
Order Code  
**PGL**



Order Code mm

**PGG** 560(w) x 620(d) x 250(h)

**PGW** 600(w) x 550(d) x 250(h)



Colour  Silver/Black/Orange

## Taglock Kit

As a further aid to security for the Guardbox range, our 'Taglock' Kits are available to provide secondary locking.

Order Code

**TLK** Comes with padlock



# Single Column Stands & Trolleys

Since 1963 - The original Unicol system of stands & trolleys



Height 1225mm  
**Projector Trolley**  
S/45/PA

Height 700mm  
**General Purpose Trolley**  
M/24/PB

Height 1200mm  
**Lectern**  
MG/45/PE

Height adjustable 640 - 800mm  
With short telescopic column & shelf  
**Telescopic Trolley**  
S/2533/PC

**Telescopic Trolley**  
S/3350/TGA

Height adjustable 900 - 1270mm  
With long telescopic column & tilting shelf

**Platforms**  
In a range of useful sizes.

Order Code      Size mm

**PA**      300 x 450

**PB**      450 x 450

**PC**      450 x 550

**Lectern Platform**  
Fixed reading angle of 15 degrees.

Order Code      Size mm

**PE**      450 x 450

**Tilting Platforms**  
Fully adjustable from level to 10 degrees.

Order Code      Size mm

**TGA**      300 x 450

**TGB**      450 x 450

**TGC**      450 x 550

**Standard Columns**

Order Code	Length
16	410mm
24	610mm
30	760mm
36	900mm
45	1140mm

Also available with longer inner columns

**Telescopic Columns**

Order Code	Trolley height range
2533	640 to 840mm
3350	840 to 1280mm

**Accessory Shelves**  
Fully height adjustable.

Order Code      Size mm

**AP**      300 x 300

**AD**      400 x 400

**Bases**

Order Code      Size mm

**M**      Trolley 400 x 400

**MG**      Stand 400 x 400

**Bases with Jacking Feet**

Order Code      Size mm

**S**      450 x 550

**L**      550 x 650

## Other Trolleys

**Equipment Trolley**  
Utility trolley with a great many uses to carry medical, laboratory or test equipment. Other platform sizes listed.

Has heavy base with 10cm rubber tyre castors.

Platform 45x45cm  
Trolley Height 75cm

Order Code  
**T1B/24/PB**

Base unit available as separate purchase.

Order Code  
**T1B**

**Original TC1000 Trolleys**  
The standard trolley in service with many schools & colleges. Has universal screen mount & equipment shelf. Conversion kit also available for existing trolleys.

Order Code  
**TC1000**

Conversion kit complete

Gives existing TC1000 trolleys a new lease of life. Conversion kit replaces old style TV mount for modern flat screen use.

Order Code  
**TCK**

**Camera Stands**  
Superior to tripods for a great many applications. Solid base with braked wheels gives excellent stability.

Fluid effect head

Telescopic camera stand

Order Code  
**CS1000**

35 - 200cm vertical movement

Studio camera stand

Order Code  
**CS2000**

## Parts & Accessories



**10cm Castors**  
(Standard – set of 4)  
Order Code  
**C104**



**10cm Heavy Duty Castors**  
(HD braked – set of 4)  
Order Code  
**BC104**



**Socket Cap**  
Order Code  
**SC**



**Spray Paint**  
Touch in paint in Sinterflex Black / White or Diamond Silver – 400ml cans.



**Replacement Lock & Keys**  
Order Code  
**LK**

Please note: Our 10cm Heavy Duty castors (BC104) are bolt fixed for added strength and to prevent swivel as well as rotation of the wheel, they are intentionally not interchangeable with our 10cm (C104) castors.



**7.5cm Castors**  
(2 plain / 2 braked – set of 4)  
Order Code  
**C074**



**5cm Castors**  
(Orbit set of 4)  
Order Code  
**C054**



**Hand Wheel**  
Order Code  
**HW38F**



**Drilling Jig**  
Installer's cutting and through-bolt drilling jig for columns.  
Order Code  
**CDJ1**



**Allen Key**  
Fits Grub Screws & Through Bolts  
Order Code  
**AK316**



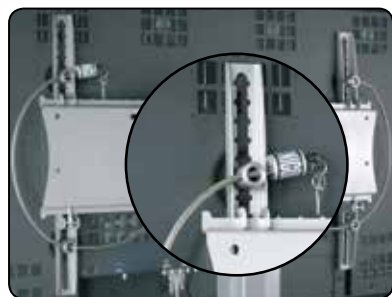
**Safety Through-bolt**  
Order Code  
**TB38F**



**Grub Screw**  
Order Code  
**GS38F**

Order Code  
**SPB** Black  
**SPW** White  
**SPS** Silver

## Security Devices, Video conference Shelves, Unicol Columns



### Screen Security Kit

Use this easily fitted Security Kit with any of our mounts.

The 2200mm tough steel cable system has special fittings which shield access to the screen fixing screws.

Order Code  
**PSK**



### Locking Ceiling Plate

Fits standard CP1 ceiling plate shielding the fixings to deter unauthorised removal.

Order Code  
**CPSC1**



### Remo Guard™ TV Remote Wall Holders

- \* Locks remote to wall
- \* Reflects beam to TV or projector



Ideal in any classroom or lecture theatre. These clever devices reflect the remote control IR beam direct to projector or screen thus avoiding the need for hard wiring, locking the remote ready for use.

Order Code

**RGHW** Standard for most remote Units

**RGH1W** Custom unit for large remotes

### TETHERLOC® Gyrolock Anti-theft Kit

Tough steel cable system has special fittings which shield access to the projector fixing screws and link the mount and projector to protected ceiling fixing bolts.

Order Code

**GT40** for GK1 (40cm cables)

**GT80** for GK2 (80cm cables)

**GT130** for GK3 (130cm cables)



### Video Conference Camera Wall Shelves

Neat units in glass or metal for wall mounting.

Order Code

**WBVC** Metal - 350w x 250d

**WBVG** Glass - size: 500 x 400

**WBVG1** Glass - size: 780 x 390

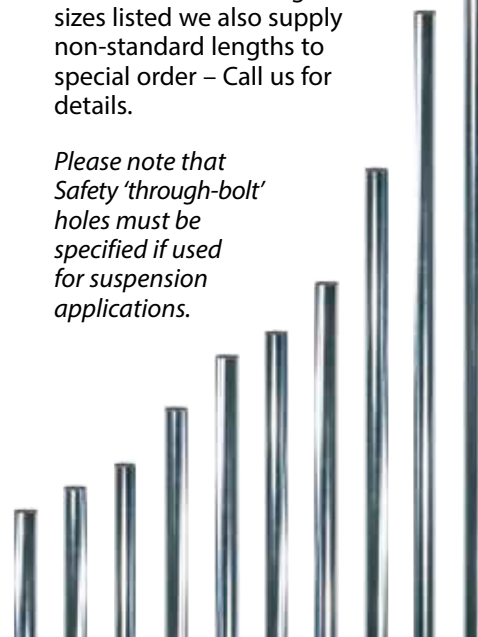
Versions also available for specific video conference cameras and codecs – Call us for details.

### Unicol Columns

In standard chrome finish and stainless steel. Also available in colour finishes to special order & unpainted.

In addition to the range of sizes listed we also supply non-standard lengths to special order – Call us for details.

Please note that Safety 'through-bolt' holes must be specified if used for suspension applications.



#### Standard Chrome Finish

(Order Code suffix 'C' – for ceiling suspension only)

Order Code	Length
<b>410</b>	410
<b>500</b>	500
<b>610</b>	610
<b>760</b>	760
<b>900</b>	900
<b>1000</b>	1000
<b>1140</b>	1140
<b>1500</b>	1500
<b>2000</b>	2000
<b>3000</b>	3000

#### Stainless Steel

Order Code
<b>SS410</b>
<b>SS500</b>
<b>SS610</b>
<b>SS760</b>
<b>SS900</b>
<b>SS1000</b>
<b>SS1140</b>
<b>SS1500</b>
<b>SS2000</b>
<b>SS3000</b>

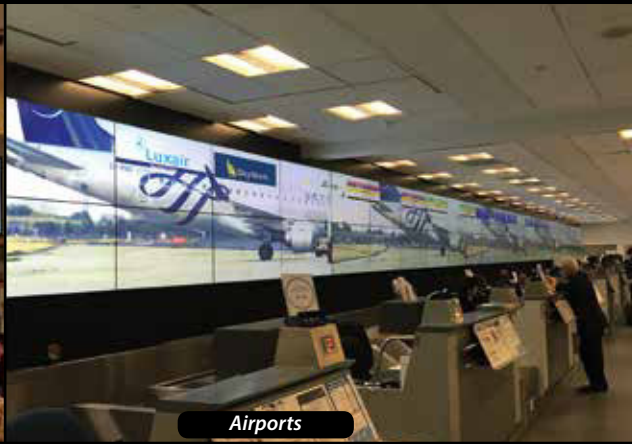
List above indicates traditional imperial and metric lengths



# UNICOL<sup>®</sup> SPECIAL PROJECTS *a small selection . . .*



Digital Menus



Airports



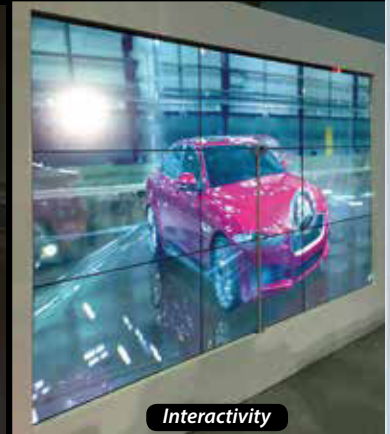
Floor to Ceiling



AV Furniture - Lecterns



Universal LED Mounting System



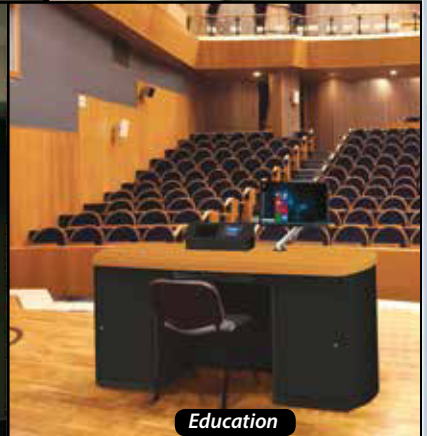
Interactivity



Theatre



Retail



Education



Outdoor Housings



Control Rooms



Museums

UNICOL Willi-Grasser-Str.15 D-91056 Erlangen +49(0)9131 9405 800 info@unicol.de www.unicol.de

