

UNICOL[®]

Edition 53



**Mounting
Solutions**

Supporting You

Welcome to the 2016 Unicol Catalogue

Our comprehensive range of AV equipment mounts is available ex stock and offers unrivalled flexibility. Order either as standard assemblies or in component form to suit your own requirements. We also offer an efficient service in the manufacture of custom made items, from 'one-off' specials to large scale projects for corporate users. – Call us today or visit our website!

Unicol UK



Unicol's solid design principles, driven by a passion to supply safe, cost effective, adaptable and dependable mounting solutions has been at the heart of our 50 years serving the AV industry.

Unicol De



How To Order

Call our sales / technical team direct, email or order on line.

We are ready to help regarding the best choice of items to order or to advise on any project being considered.

Tel: +49(0)9131 9405 800

Email: info@unicol.de

Web: www.unicol.de

Most standard products available on an ex stock basis.
Please state screen or projector make / model & colour choice.

Unicol products have been designed to meet BSI installation specification standard BS8590. All goods are sold subject to the Companies terms & conditions of sale, a copy of which is available upon request or can be downloaded from our website www.unicol.de. Mechanical items have a 10 year design & manufacturing warranty. Electrical parts are covered by a 12 month return to base warranty. Unicol products are the subject of continuous development and we reserve the right to improve designs or change specifications without prior notice.

Products and prices listed in this catalogue are correct at time of going to press (Issue 2 – May 2016). © Peter Ligertwood 2016.

Unicol Deutschland GmbH, Willi-Grasser-Str. 15, D-91056 Erlangen

Symbols used & other information



Typical single screen guide: Light or heavy monitors will influence this.



Maximum carrying capacity for which each product is designed.



Colours ex stock.
Sinterflex black (standard)
Diamond silver (optional)

*Please state colour choice when ordering
(Non-standard colours to special order)*

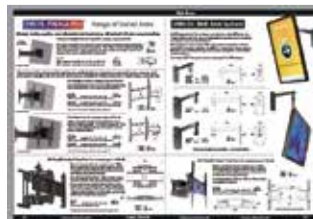
Dimensions shown are metric

Contents – Product Finder Pages



**VS1000
Stands, Trolleys
& Components**

4 & 5



**Wall Arms
Panarm &
Standard Range**

22 & 23



**Axia
Stands & Trolleys**

6 & 7



**Outdoor Housings
Protective Covers &
Interactive Display
Products**

24 & 25



**Rhobus Video
Conference &
Collaboration
Range**

8 & 9



**Adapta-Wall
Video Wall Mount
Range**

26 & 27



**Free Standing V-Wall
Tableau Lecterns
Nesting Trolleys
Smart Kapp & IQ**

10 & 11



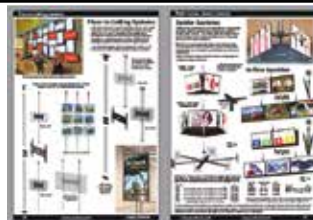
**Screen Rail
Simplex Video Walls
AV Roller Trak**

28 & 29



**Avecta Stands
Media Screen Units
Parabella & Tevella**

12 & 13



**Floor to Ceiling
Systems
Multi-Screen
Gantry Systems**

30 & 31



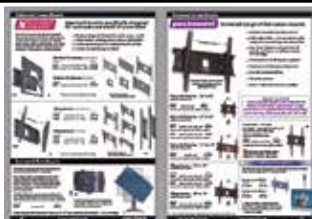
**Large Format
Stands & Trolleys
Motorised Stands
and Trolleys**

14 & 15



**LED Structures
Kiosks**

32 & 33



**Xactmatch
Screen Mounts
Pozimount
Screen Mounts**

16 & 17



**Gyrolock
Projector
Mounts**

34 & 35



**Screen Mount
Trade Packs
Slim Profile Mounts**

18 & 19



**PSU Projector
Suspension Units
Guardbox
Security Cages**

36 & 37



**Installation
Components**

20 & 21



**Single Column
Stands & Trolleys
Parts & Accessories**

38 & 39

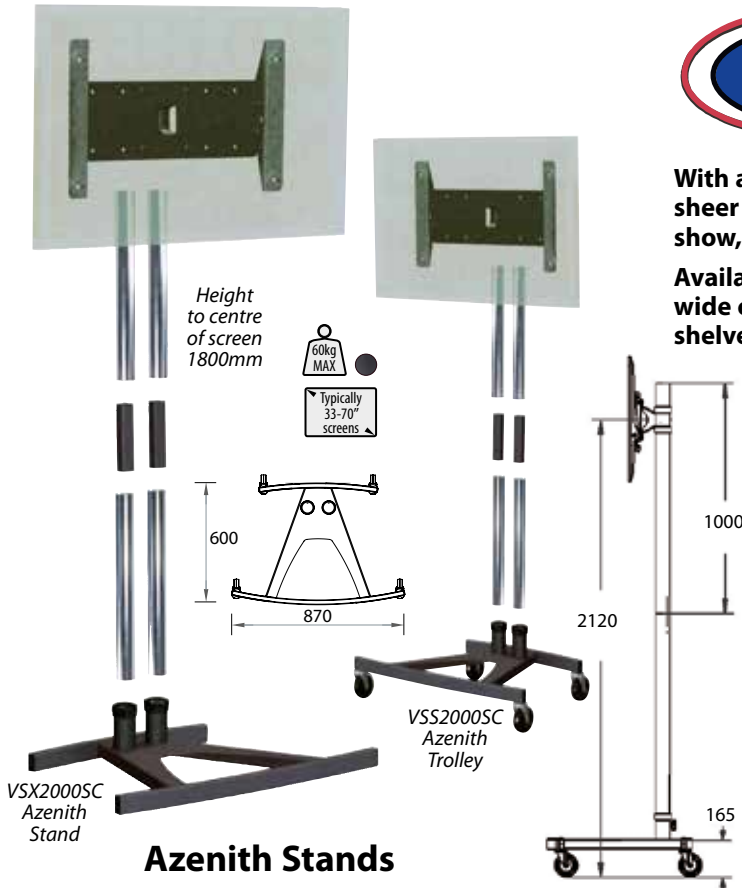
VS1000 Stands, Trolleys & Components



"The Work Horse of the AV industry"

With a wide choice of interchangeable parts, easy assembly and sheer robustness VS1000 trolleys are the favoured choice of trade show, education, broadcast and AV users everywhere.

Available as static, wheeled base or back to back versions, with a wide choice of height options. Accessories include metal or glass shelves, locking cabinets and other options.



Stand for single display on plinth base (shelf optional)

VSLN-1500x2-PS2-PZXU with VP1



Scimitar base with optional locking cabinet

VS1000T with VLC

Azenith Stands

Split column with VESA Screen Mount

Order Code

VSX1800SC - Stand 200 x 200 to 600 x 400 VESA
VSS1800SC - Trolley up to 70" / 60kg max

VSX2000SC - Stand 200 x 200 to 600 x 400 VESA
VSS2000SC - Trolley up to 57" / 60kg max

Heavy duty braked wheel options - see Page 39.

Build any configuration from

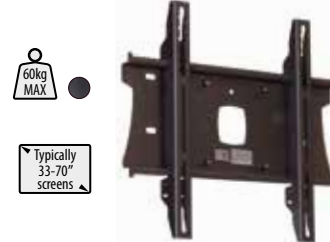


Mount Adapters

Converts Pozimount mounts (or Xactmatch mounts) to fit twin columns. Standard Allen screw fixing. Fully height adjustable.

Order Code

PS2 Standard single screen
PS8 Back to back screens



Pozimount Universal Flat Screen Mount

For screens 42" to 70" plus VESA fixings 200 x 200 to 600 x 400.

Order Code

PZXU non-tilting



Order Code

VSS 870w x 600d
VSR with BRAKED wheels
VSX Stand version (without wheels)

VSR base has higher spec BRAKED wheels - supports up to 105 Kg

Scimitar™ Bases

Elegant curved design. Trolley base has 10cm non marking rubber tyre wheels.

Stand version has 1.5cm plastic feet.



Standard Plinth Base

Stylish plinth base has resilient non-marking feet. Has clearance for cables routed beneath.

Order Code mm

VSLN 760w x 580d



Order Code

VSB 870w x 600d
VBR with BRAKED wheels

VBR base has higher spec BRAKED wheels - supports up to 105 Kg

Original 'K' Base

Still preferred by many for its robust design. Has 10cm non-marking rubber tyre wheels.



Back-to-Back Base

With centralised column sockets for Back-to-Back screen use. Resilient non marking feet & clearance for cables routed beneath.

Order Code mm

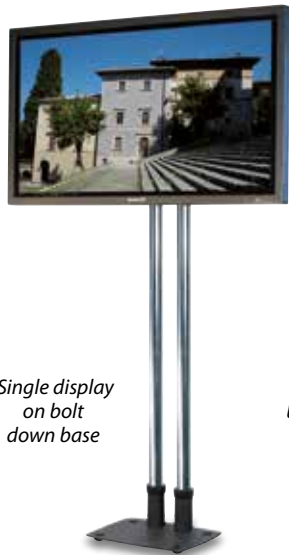
VSLBB 700w x 700d

Choose from the standard units listed or select & assemble any of the parts to suit your needs

VS1000 trolleys with Scimitar bases

The curved design of the Scimitar base units offers an attractive alternative to 'K' base versions.

Whichever style you choose all these trolley assemblies are available in both VESA or Universal screen mount versions.



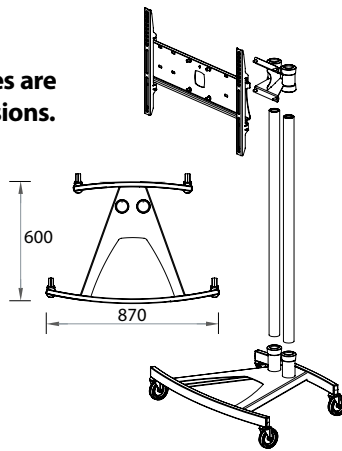
Single display on bolt down base

VSF1000



Portrait back-to-back display on plinth base

VS1000B2B



Heavy duty braked wheel options - see Page 39.



Standard VS1000 trolley with Scimitar base

Height to centre of screen 1500mm



Standard Scimitar base stands & trolleys

Stands

Order Code For screens up to 70" - up to 60kg max
VS1000P - 150cm columns
VSX1800 - 180cm columns
 Order Code For screens up to 57" - up to 60kg max
VSX2000 - 200cm columns

Trolleys

Order Code For screens up to 70" - up to 60kg max
VS1000T - 150cm columns
VSS1800 - 180cm columns
 Order Code For screens up to 57" - up to 60kg max
VSS2000 - 200cm columns

the components listed below

Split Columns

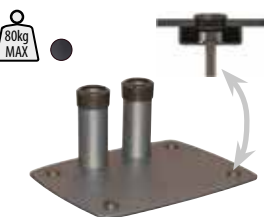
Use with Azenith stands. Ideal for the hire & event industries.

Order Code Description
1800SC - 4 x 89CM + CCSPD
2000SC - 4 x 1M + CCSPD



Columns

Chrome plate finish (pair)
 Order Code Length mm
1500X2 1500
1800X2 1800
2000X2 2000
 Brushed Stainless Steel (each)
 Order Code Length mm
1500SS 1500
2000SS 2000
 (Other column lengths listed on Page 20)



Compact Bolt Down Base

Offers minimal base footprint for fixed screen stands. M10 floor bolts (not supplied) fully recess into base. Trim caps neatly complete installation.

Order Code mm
VSF 400w x 300d

Distance from twin sockets to base rear edge - 25mm

Shelves

In metal or toughened glass.

Order Code metal / mm
VP1 500w x 400d
VP2 550w x 450d
VP3 300w x 300d

Order Code glass / mm
VGS 500w x 400d



Locking Cabinet

For DVD players, PCs etc. Fully height adjustable. Rear panel has access for cables.

Order Code Internal Dimensions mm
VLC 550w x 150h x 400d



4-Way Power Sockets

These clip to the base of the VS1000, TC1000 and the Single Column Trolley range (Page 38). With 3m cable and euro plug.



Order Code
ESE (Europlug)

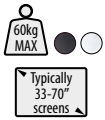
Axia® – the practical artform

- * Graceful, stylish design
- * Neat cable management
- * Screen mount included
- * 4-way power socket
- * Safety glass shelves
- * Video Conference versions
- * Portrait screen options
- * Corporate colour options

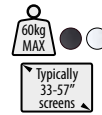


Height to centre of screen
1500mm

Standard Axia Hi-level stand

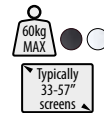


Hi-level Stand with AXLC Locking Cabinet



Hi-level Plinth Cabinet

Height to centre of screen
1650mm



Hi-Level Stands

With our PZ XU universal screen mount. Stylish plinth base has resilient non-marking feet. 4-way power socket neatly locates behind screen.

Select toughened glass or metal shelves as required.

Standard Hi-Level Stand

Order Code

AX15P for screens up to 57"

Heavy Duty Stand

Built with increased strength for screens up to 80Kg.

Order Code

AX17P for screens up to 70"



Standard Axia Lo-level stand

Lo-Level Stands

The quality option for corporate lounges or hospitality seating areas.

With our PZ XU universal screen mount. Plinth base has resilient non-marking feet. 4-way power socket neatly locates behind screen. Toughened glass shelf included.

Standard Lo-Level Stand

Order Code

AX10P for screens up to 57"

Large Screen Lo-Level Stand

Has mast increased to 1200mm to accommodate screens up to 70inch.

Order Code

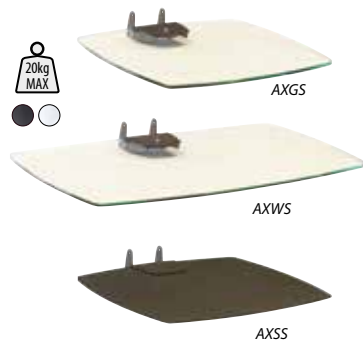
AX12P shelf not included

Plinth Cabinet Stand

Popular for showroom or exhibition use. Lockable base for PCs, DVDs etc has resilient non-marking feet.

Order Code

AX16P Cabinet Base version
Cabinet internal dims 480(w) x 400(d) x 160(h)mm



Shelves

Toughened glass, fully edge polished or metal versions available.

Lugs fit through mast slots & screw securely into position.

Order Code glass / mm

AXGS 500w x 400d

AXWS 780w x 390d

Order Code metal / mm

AXSS 500w x 400d

Axia Locking Cabinet

For DVD players, PCs etc.

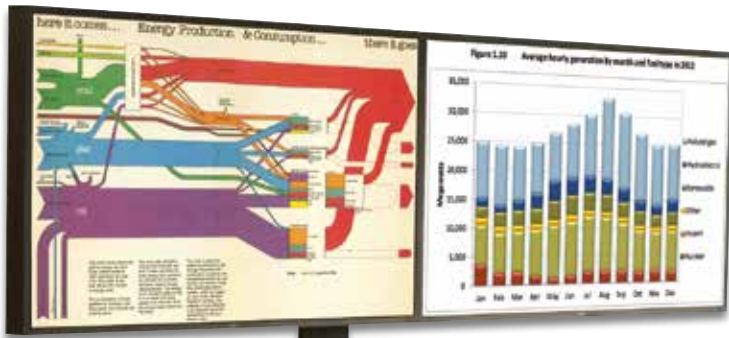
Lockable drop down door.

Rear panel has access for mains and other cables.

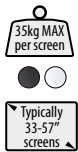


Order Code Internal Dimensions mm

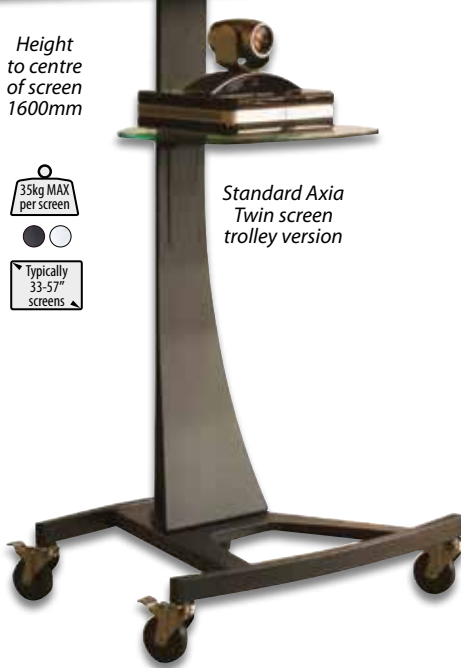
AXLC Size 550w x 150h x 400d



Height to centre of screen 1600mm

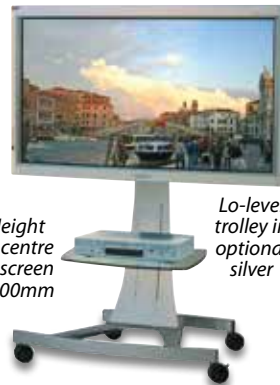


Standard Axia Twin screen trolley version



Standard Axia Hi-level trolley in optional silver

Height to centre of screen 1600mm



Height to centre of screen 1100mm

Lo-level trolley in optional silver



Heavy duty braked wheel options – see page 39.

Axia Twin Screen and Video Conference Stands & Trolleys

These internally strengthened units for twin screen use cover a wide range of screen sizes. Easy to set up, using our PZXU universal screen mounts. Toughened glass shelf is included.

Order Code **AXC15P51** Stand Versions screens 38" - 57"

Order Code **AXC15T51** Trolley Versions screens 38" - 57"

State make & model of screens when ordering. Above screen video conference mounts and larger screen versions also available.

– Call us for any advice or assistance required

Lo-Level Trolleys

Includes PZXU universal screen mount, 7.5cm twin wheel castors and toughened glass shelf.

4-way power socket neatly locates behind screen.

Standard Lo-Level Trolley

Order Code **AX10T** for screens up to 57"

Large Screen Lo-Level Trolley

Has mast increased to 1200mm to accommodate screens up to 70inch.

Order Code **AX12T** for screens up to 70"

Hi-Level Trolleys

With PZXU universal screen mount and base with 7.5cm twin wheel castors. 4-way power socket neatly locates behind screen.

Select toughened glass or metal shelves as required.

Standard Hi-Level Trolley

Order Code **AX15T** for screens up to 57"

Heavy Duty Trolley

Built with increased strength for screens up to 100Kg. Base fitted with 10cm heavy duty braked castors.

Order Code **AX17T** for screens up to 70"

Video Conference Mount

For most makes/models of cameras. Fits either above or below screen.

Telescopic adjustment enables camera platform to be positioned at optimum height.

Dedicated mounts for specific makes/models of cameras also available – Call us for details.

Order Code **VCM** shelf size 340w x 260d



Axia Colour Options

With their graceful flowing curves Axia stands & trolleys already look good in their standard finishes.

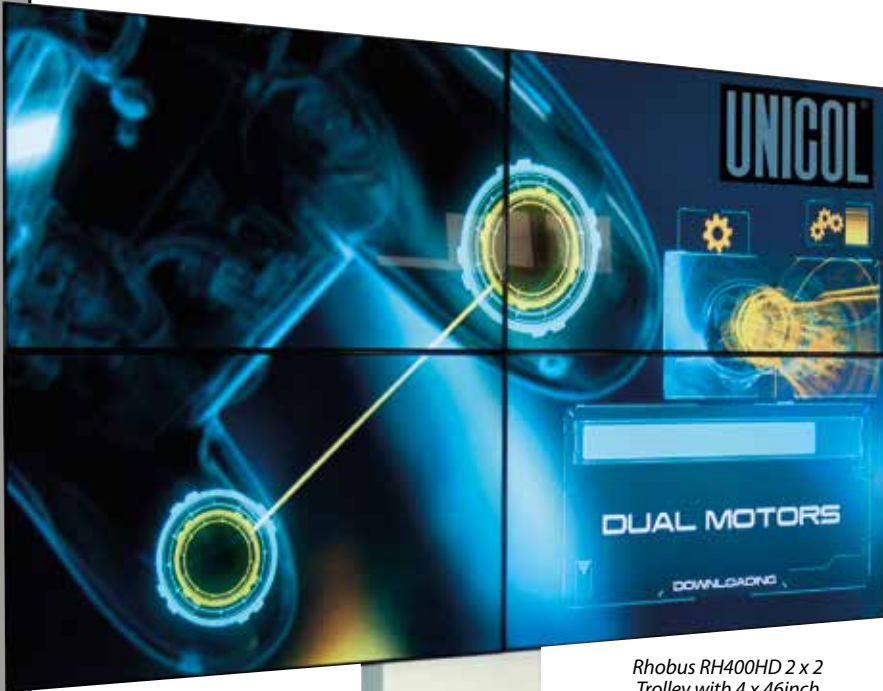
Adding a corporate or individually chosen colour can dramatically enhance the effect, harmonise with interior schemes or even the screen itself.

– Call us for further details

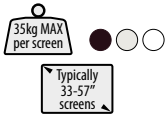


RHOBUS®

- * Premium boardroom quality
- * Piano black and other finishes
- * Wide choice of screen options
- * Discreet cable management
- * Manual lift & Power-lift options
- * Lockable housing for codec etc
- * Supplied with castors & static feet
- * Single box solution



Rhobus RH400HD 2 x 2
Trolley with 4 x 46inch
screens



With its clean lines and superior finish options the new Rhobus range of stands and trolleys answers all the needs of the corporate user – from boardroom to prestige exhibitor.

Choose from the simple but elegant single screen version through to multi-screen units to support the very latest and best in video conferencing. Ample capacity is provided within the central mast for cabling, codecs and other systems, all accessible through a locking door. Built in power socket comes as standard.

Camera mounts available in two versions; vertical blade style mount allow screens to be closed almost together see ① below. Style ② gives separate space for the camera with background panel (optional) to provide a neat finish.

An abundance of practical features



Swap from twin wheel castors to static feet as required



Camera mount options allow choice of camera & screen configurations



Simple to configure for single, twin or triple screens – edge to edge micro adjustment as standard for multi-screens



4-way power socket, generous cable management & equipment space



Drop down locking door allows easy access & provides neat appearance



Rhobus RH100
Stand with 46inch
screen, VCM and
glass shelf

Rhobus RH100 can be supplied with manual or electrical screen lifting capability – Call for details



35kg MAX per screen
Typically 33-70" screens

Rhubus RH300P Trolley with triple portrait screens



RHCC Blade mount conversion shelf

RHCB1 Blade style camera mount

RHP1 centre infill Panel

VCM

35kg MAX per screen
Typically 33-70" screens

Rhubus RH200 Trolley in RAL 7035 light grey with twin screens, blade camera mount & centre infill panel

* We offer a wide range of camera mount options. Our RHCC conversion shelf is also available in versions dedicated to specific cameras. Above screen camera mounts also available –Call us for details.

Rhubus Stands & Trolleys

- Order Code
- RH100** Single Screen version (33" - 70")
 - RH200** Twin Screen version (33" - 70")
 - RH300P** Triple Portrait version (33" - 70")
 - RH300L** Triple Landscape version (33" - 57")
 - RH100HD** Heavy Duty version (71" - 98")
 - RH400HD** 2 x 2 Screen version (33" - 57")

Height to centre of screen 1400mm



RHGS2 wide toughened glass shelf

20kg MAX

Rhubus Accessories

- Order Code mm
- RHGS1** Glass Shelf – 500(w) x 400(d)
 - RHGS2** Glass Shelf – 780(w) x 390(d)
 - RHCB1** Blade style Camera Mount
 - RHCC** Blade mount conversion shelf
 - RHP1** Optional centre infill panel
 - VCM** Standard Camera Mount

RHOBUS Huddle

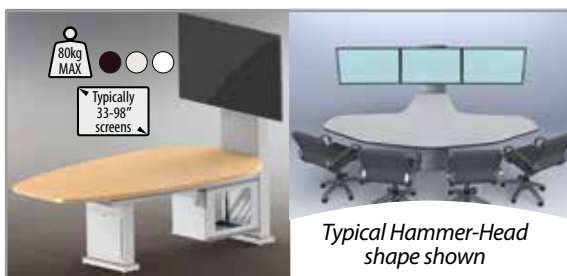
The very latest and best in AV furniture. Ample capacity and connectivity for cabling, codecs, switchers & other systems.

Typical Oval shape shown
Height to centre of screen 1400mm

- * Full unified connectivity
- * Underside rack options
- * Lockable equipment housing
- * Built in hearing induction loop
- * Branding, logos & special finishes
- * Accommodates wide choice of devices
- * Custom table shape & finish options
- * Fast turnaround delivery 7 - 10 days



Prices quoted are ex-works as the Huddle is despatched by dedicated courier.



Typical Hammer-Head shape shown

INAVATION AWARDS 2015 TECHNOLOGY FINALIST

- Order Code
- RHO1** Oval - Single Screen version
 - RHO2** Oval - Twin Screen version
 - RHH1** Hammer-Head - Single Screen version
 - RHH2** Hammer-Head - Twin Screen version

Freestanding Video Wall & Lectern Units

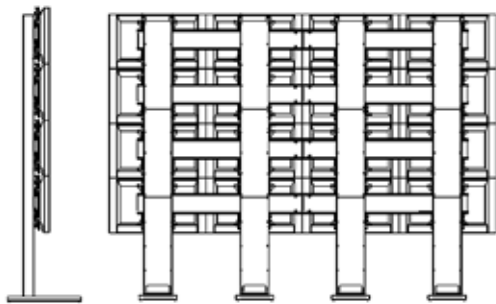


Free-standing video wall system

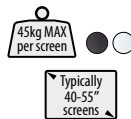
Ideal for situations when quick, easy and accurate assembly is required such as hire and retail, where regular change is inevitable.

This robust modular structure is made of individual mast units that are joined with cross members enabling a 4-high display unit to have infinite width, (3-high display units are also available). Cable management runs are catered for and there is adequate space for players or PCs.

Each display fixes to the VWP1 standard 'Push to close - Push to open' video wall mount capable of VESA 200 x 200 to 800 x 400, for displays up to 45kg. (See Page 26) The mount allows for tool-less adjustment in all planes by means of knurled wheels for in-out and up-down movement. Lateral action is achieved by sliding the display smoothly on wheels located in the mount arms.



4 x 4 Video wall illustrated uses 46inch displays



- * **Robust modular construction**
- * **Easy to assemble and install**
- * **Wide choice of screen options**
- * **Space for players and PCs**
- * **Discreet cable management**
- * **'Push to open' - 'Push to close' mounts**
- * **Maintenance friendly**
- * **Tool-less screen adjustment**

– Call us for details

TABLEAU Large Screen Lecterns

Two models are offered:

Shown left, a rigid and stable platform supporting a fixed angle screen mount.



Height to centre of screen 1000mm



Typically 33-70" screens

Mast incorporates two compartments, both 344(w) x 95(d) – 1 x 280(h) & 1 x 398 (h), to house small PCs or other electronics together with cabling. Base unit has resilient non marking feet and clearance for cables routed beneath.

Order Code

TL1-PZXU for screens 33" - 70"

State screen make & model when ordering

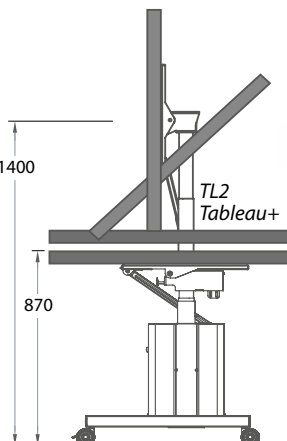
Shown right, a trolley with a variable angled mount that can be powered through 90 degrees from horizontal to vertical, stopping anywhere in between. Both are designed specifically for touch screen use and screens up to 70inch.

TABLEAU+



Typically 46-70" screens

Smooth Powered Operation



Cabinet incorporates one lockable compartment 500(w) x 200(d) x 200(h) to house small PCs or other electronics. Connector panel is positioned at the rear for plug & play. Braked wheels are standard.

Order Code

TL2 for screens 46" - 70"

State screen make & model when ordering

Teaching Aids & Presentation Boards

NEST-STAR[®] Nesting Trolleys

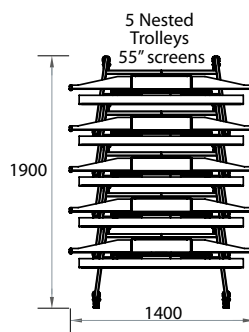
AV Teaching Aid on Wheels

A complete large format audio visual teaching assistant on wheels that can be deployed quickly and neatly stowed when not in use.

This robust modular trolley is designed for large format displays and securely houses your favourite PCs and controllers, whilst allowing fast deployment of cabling. The standard trolley build comes with a plain mast. However, because we understand that choice of equipment is important we will, if required, customise the rear of the mast section with a 300 x 300 x 100mm cable/keyboard pocket and standard double gang wall plate & cable assembly within the list price of the trolley. Handles are provided for ease of movement.

These trolleys can quickly turn an empty space into an effective student e-learning environment as and when required. Whilst Sinterflex Black is the standard colour, other bright & bold finishes are available.

- * Robust modular construction
- * Easy to assemble and install
- * Quick and easy deployment
- * Customisation available
- * Secure storage for players / PCs
- * Standard black with colour options
- * Fast turnaround delivery 5 - 7 days



Order Code

NST1 For up to 90" screens (Trolley only - no electronics)



When ordering please state make & model of screen, custom option requirement and colour choice. There will be an additional charge of 18% for non-standard colours.

SMART kapp Board Trolleys & Mounts

The SMART kapp electronic dry-erase boards and kapp IQ white boards can be mounted on walls or trolleys. Unicol Pozimount universal mounts can be used for wall mounting on all models. There is a specific trolley for the kapp 42 (left) with the remaining boards in the kapp range able to fit VS1000, Axia, Avecta, Rhobus & Nest-Star trolleys (right).

- * Easy to assemble and install
- * Board height adjustment
- * Sinterflex white and other finishes
- * Discreet cable management
- * Single box solution
- * Fast turnaround delivery 2 - 3 days



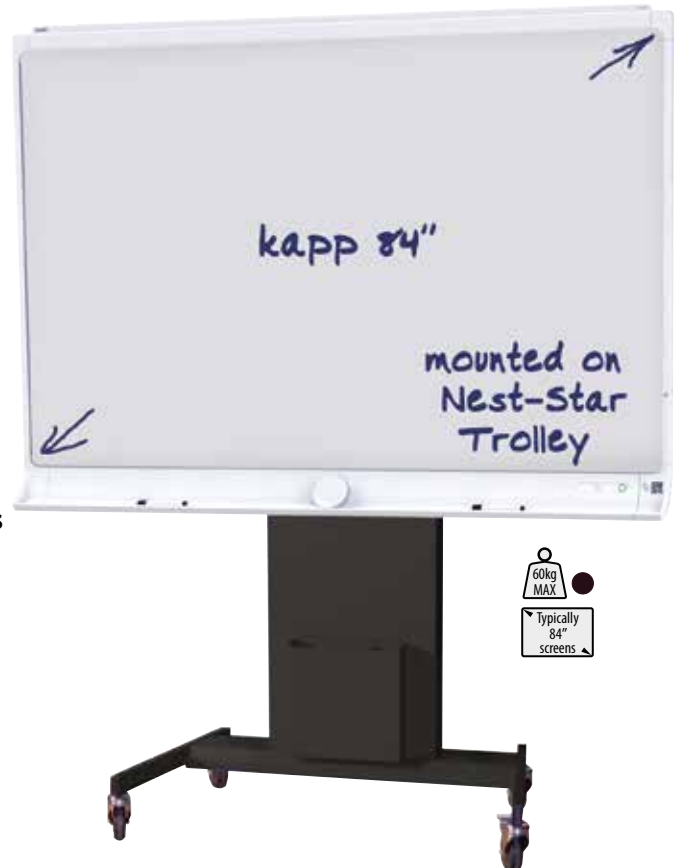
Order Code

KAPP42



Order Code

KT1 Trolley Base with trim disc



Order Code

NST1 Shown supporting a kapp84 board

Avecta Stands & Trolleys



From boardroom to show venue – a flexible and adaptable stand system with excellent cable management. Static or wheeled versions, single or dual screen options.

Hi-Level Stand & Trolley

Height to centre of screen adjustable from 1100mm to 1500mm complete with PZXU universal screen mount, 4-way power socket and all metal shelf.

Order Code

AVHP
AVHT



Standard
Avecta AVHT
with AVP1
shelf

Height
to centre
of screen
1250 to
1520mm



70kg
MAX
Typically
33-70"
screens

Avecta
AVHP with
2 x AVGS
glass
shelves

Wall Mounted

Pivots to adjust
viewing angle.

Lo-Level Stand

Height to centre of screen fully adjustable. Comes with PZXU universal screen mount, 4-way power socket and all metal shelf.

Order Code

AVLP



Avecta
AVLP

Height to
centre of
screen 600
to 950mm

Typically
33-57"
screens

70kg
MAX

70kg
MAX
Typically
33-70"
screens



TCAVT
Height
to centre
of screen
adjustable
to 1500mm

120kg
MAX
Typically
33-90"
screens

Heavy Duty Trolley

For screens up to 90" – this trolley comes with a PLX3 Xactmatch mount (Page 16). Height to centre of screen adjustable up to 1500mm.

State screen make & model when ordering

Order Code

TCAVT



Video conference & twin screen units

Different screen sizes can be accommodated using one of 3 central cross member types which carry our standard Pozimount universal mounts.

Comes with metal shelf. Order video conference camera mount, or glass shelf as required.

Order Code

ACHT

Hi-level Trolley

ACHP

Hi-level Stand

Typically
33-57"
screens

35kg MAX
per screen

VCM Video
Conference
Mount also
available –
(See Page 7)

Avecta ACHT with AVP1
metal shelf and optional
VCM video conference mount

Avecta Accessories



20kg
MAX

Metal Equipment Shelves

Height adjustable. Cable entry.

Order Code

mm

AVP1 500w x 400d
AVP2 550w x 450d
AVP3 300w x 300d



20kg
MAX

Safety Glass Shelf

Toughened glass fully edge polished. Height adjustable. Cable entry.

Order Code

mm

AVGS 500w x 400d



20kg
MAX

Locking Cabinet

Height adjustable. Door conceals into roof. Has usable top surface.

Order Code inside dimensions mm

AVLC 500w x 140h x 400d

Media Screen Units, Furniture & Lecterns



Typically 33-57" screens

40kg MAX



ASD9 Media Screen Unit

Media Screen Units

These versatile units provide secure storage for media electronics. Has rack mounting as standard and shelves optionally available. Mast and PZX mount for screens up to 57".

Order Code

ASD5 Square Style Unit with AVR5 Cabinet

ASD7 Square Style Unit with AVR7 Cabinet

ASD9 Oval Style Unit with AVR9 Cabinet

Media Cabinets & Lectern

Cabinet only - with provision to add mast.

Order Code mm

AVR5 Standard cabinet 500w x 700h x 500d

AVR7 Extra deep cabinet 500w x 700h x 700d

AVR9 Oval style cabinet 500w x 700h x 500d

AVR11 Oval style lectern 500w x 700h x 500d

Accessories

Order Code mm

VR500 Shelf - 500 deep

VR700 Shelf - 700mm deep



Custom made control unit designed to your specifications

AVR11 Lectern Media Cabinet

- * Fast order turnaround
- * branding options available

Shown with articulating arm and control housing which can be ordered separately.

- Call for details

Popular & Specialist Stands



The inspirational stand unit for exhibitions & conferences.

- * Curved slim design
- * For screens 32 - 70inch
- * Neat cable management
- * 1.8m viewing height

Order Code

PA2 Stand inc mount

State screen make & model when ordering

Parabella Accessories

Glass Shelf



20kg MAX

Toughened glass fully edge polished.

Order Code mm

PARAGS2 size 500w x 400d



TVT1



TVL1

TVV1

Typically 15-40" screens

15kg MAX

Tevella TV Stand

- * For up to 32" screens
- * Cables routed through base & column
- * Bolt down version also available
- * Stand height to centre of screen 100cm
- * Trolley height to centre of screen 140cm

Order Code

TVV1 Upright - 15-32" screens

TVL1 Lectern Version - 15-32" screens

TVT1 Trolley Version - 15-40" screens

Order Code

LBP/1000/EPS Bolt Down Version

Axia Titan Large Format Stands & Trolleys

Axia Titan

Designed for large format or multi-screen applications, these trolleys incorporate heavier mast sections and increased base footprint to accommodate large screen sizes and heavier loads. Axia Titan trolleys come in 3 versions:

- * **Fixed Height**
- * **Manual Easy Lift**
- * **Powalift with Remote**

Safety Note: Safety must always be the first priority when handling large / heavy screens, which should be installed by qualified personnel using appropriate lifting equipment. Manoeuvre and position trolleys only on flat and even surfaces.

Manual Easy Lift

Smooth 'ratchet action' for easy lifting. Practical, reliable and immune from show venue power outages!



Manual Easy Lift Trolley For Screens up to 98"

Order Code
AXW20 1.5m to 2.5m centre of screen

Powalift Electronic

Axia Titan Powalift Versions. – Smooth powered vertical travel for screens up to 110"

These trolleys incorporate a powerful linear drive system within the heavy duty mast. Supplied with hand held remote and manual switch option as standard.

Order Code
AXL15T2J for screens up to 110"

CE approved & DDA compliant

Typically 70-110" screens

200kg MAX



Typically 70-98" screens

120kg MAX



Shown supporting Panasonic 103"

Fixed Height 2m Trolley Version

Typically 70-110" screens

200kg MAX

Fixed Height

For Screens up to 90"

Order Code
AX15T2H 1.5m to centre of screen
AX20T2H 2m to centre of screen

For Screens up to 110"

Order Code
AX15T2J 1.5m to centre of screen
AX20T2J 2m to centre of screen

For multiple 2 x 2 (4) Screens Up to 70" & 35kg max per screen

Order Code
AXM20T31 2m to centre of screen

State make & model of screen



35kg MAX per screen

Shown on plinth base supporting 4 x 55" screens



Motorised Stands & Trolleys



Electronic control & PowaLift technology combine in these versatile units.

CE approved & DDA compliant

- * Safe, smooth operation
- * Well proven technology
- * Quality, long life components
- * For screens 33 to 70 inch
- * Controllable by Remote fob, cord switch or direct from your laptop – all supplied with unit



Smooth Powered Operation



Operated by wireless remote or manual switch, screens can be commanded to rise or descend smoothly through 700mm, stopping safely at any point.

These units serve many requirements, particularly in the field of Special Needs, enabling young children or wheel chair users to interact with touch screens. 'Touch of a button' height control also makes it easy to move from one location to another through doorways.

Supplied with screen mount, hand held remote and manual switch as standard.



AVMW71



AVMT71

Trolley Version

Order Code

AVMT31 33" to 70"

State make & model of screen



Laptop Arm fully extends & articulates

Laptop platform

Order Code

AVML2 Laptop Platform

Floor to Wall Version

Using the same proven mast technology as our trolley version these units allow fixed installation with the benefit of compactness and slim profile.

Order Code

AVMW31 33" to 70"

State make & model of screen



There is a range of PC housings to fit these units – Call for details



Table Stands for screens 40 – 70 inches

A wide range for home cinema or corporate use.



Standard PFT1 stand with universal mount



Our table stands are available in two versions: Screens from 40 to 57 inch fit neatly on our standard PFT1 stand which has a universal mount to cover most VESA sizes.

Screens up to 70 inch are covered by our dedicated model range designed and manufactured for each make & model listed.

All versions have resilient non marking feet.

Order Code

PFT1 Universal 40" to 57"

PFL3 Dedicated 58" to 70"

State screen make & model when ordering



Illustration shows 70 inch screen version from our dedicated model range



Dedicated Screen Mounts



Approved mounts specifically designed for each make and model of screen listed

Xactmatch mounts take all the guesswork out of ordering and installing screen mounts whatever the make or model and whether stand, trolley, wall or ceiling fixed. Our range covers all popular makes of screens and are available in landscape or portrait versions.

- * **Factory designed & tested for each screen model**
- * **Cable entry & cooling vent positions allowed for**
- * **Landscape and portrait versions for all models**
- * **Correct screen fixings included**



PLX1

Slim line Flat Mounts (Landscape)

Order Code

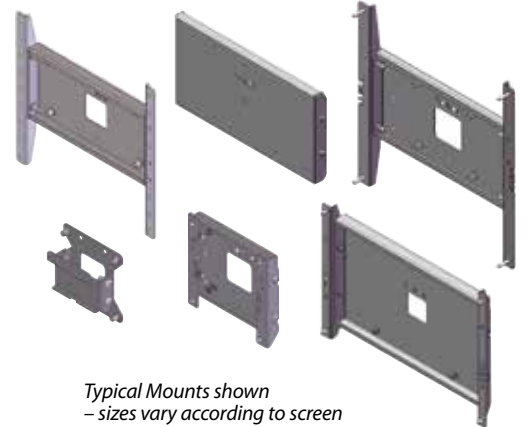
PLX1 Screens up to 70" landscape - 80kg

PLX3 Screens 71" to 110" landscape - 150kg

Slimline Flat Mounts (Portrait)

Order Code

PPX1 Screens up to 70" portrait - 80kg



Typical Mounts shown
- sizes vary according to screen

State screen make & model when ordering



PLW1

Tilting Mounts (Landscape)

Order Code

PLW1 Screens up to 70" - 80kg

PLW3 Screens 71" to 110" - 150kg

Tilting Mounts (Portrait)

Order Code

PPW1 Screens up to 70" - 80kg

PPW3 Screens 71" to 90" - 150kg



Typical Mounts shown
- sizes vary according to screen

PLW3

State screen make & model when ordering

Xactmatch Rota Mounts

Smoothly rotate screens from landscape to portrait and anywhere in between.

Rota Mount RTM1 is designed to fit most Unicol stand & trolley models or floor to ceiling systems and can also be direct wall fixed if required. In-built safety stops allow precise indexing to both landscape and portrait positions.

Use Rota Mount in conjunction with any of our range of Exactmatch slim line flat mounts, stating make & model of screen when ordering.

Order Code

RTM1 Screens up to 70" - Includes PLX mount



Comes with screen mount
Please state screen make & model

Safety Note: Ensure safe cable management when using Rota Mount units. Cables should be sheathed or otherwise protected and have sufficient freedom of movement.

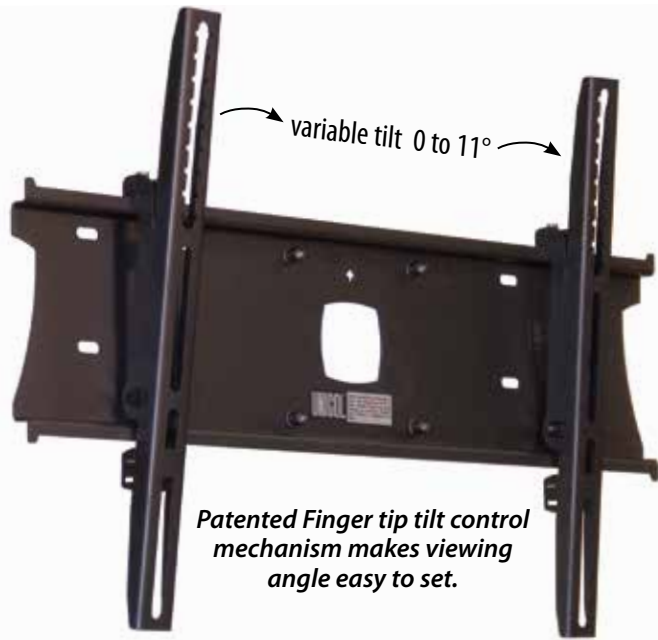


Higher capacity Rota Mounts for screens up to 103" (see illustration) also available - Call us for details.

Universal Screen Mounts



Universal range of flat screen mounts



- * Industry standard quality product
- * Fully adjustable – accommodates wide range of screen fixings including VESA
- * Use direct fixed to wall, also fits all stands, wall arms or ceiling mounts in our range
- * Universal screen fixing kit supplied
- * Versions in landscape and portrait
- * In built screen levelling
- * Security options
- * Flat to wall & tilt version available

Flat to Wall Version – 32" to 40"

Depth from wall 45mm

Order Code

PZX0 VESA 200 x 200 to 400 x 200



Flat to Wall Version – 33" to 70"

Depth from wall 45mm

Order Code

PZX3 VESA 200 x 200 to 400 x 400



Flat to Wall Version – 71" to 110"

Depth from wall 50mm

Order Code

PZX9 VESA 900 x 600



Tilting Version – 33" to 57"

Depth from wall 55mm

Order Code

PZW3 VESA 200 x 200 to 400 x 400

PZU VESA 200 x 200 to 600 x 400



Tilting Version – 58" to 70"

Depth from wall 65mm

Order Code

PZW8 VESA 200 x 200 to 600 x 400



* See our Xactmatch range for tilting mounts covering screen sizes 58 to 110".

MOUNT SELECTOR

Choose the Pozimount most suited to the fixings (VESA sizes) used on your screen. Each mount is supplied with Universal fixing pack covering screw sizes M4, M5, M6 & M8.

Pozimount – Portrait

For screens – typically from 40" to 70"
VESA 300 x 300 to 400 x 600

Flat to Wall Version

Order Code

PPZX2 depth from wall 45mm



Tilt Version (intended for column suspension mounting - add column adapter PS7, column & ceiling plate).

Stainless Steel Options

We offer stainless Pozimounts to combat harsh environments when using waterproof / IP rated screens.

Pozimount 400SS

Order Code

SS_PZX3

Pozimount 600SS

Order Code

SS_PZXU



* We also offer all stainless steel installation components when using these mounts for ceiling suspension – Call us for details

Universal Screen Mount – Trade Packs

Trade Packs for screen suspension

These 'package priced' kits offer ease and convenience for specifiers and installers, combining the necessary ceiling plate, column & Universal tilting mount for a typical installation.

Three column lengths are listed to suit different ceiling heights. Trade Packs consist of Ceiling plate, Column & Mount(s).



Single Screen Trade Packs for VESA 300 x 300 to 600 x 400

- Order Code
KP110CB with 1m suspension column
KP120CB with 2m suspension column
KP130CB with 3m suspension column

Bundled package in one box

- Order Code
KPBC with 3 x 1m columns & 2 x couplers



KP110CB



Back to Back Twin Screen Trade Packs for VESA 300 x 300 to 600 x 400

- Order Code
KP110DB with 1m suspension column
KP120DB with 2m suspension column
KP130DB with 3m suspension column

Bundled package in one box

- Order Code
KPBD with 3 x 1m columns & 2 x couplers



KP110DB

For 32" Back-to-Back screens with VESA 200 x 200 fixings use CP1, Column length & DCV1 (Page 19)



Wall Arm Trade Packs for VESA 200 x 200 to 600 x 400

- Order Code
KPWB Direct coupled
KP105WB with 50cm suspension column
KP110WB with 1m suspension column



KPWB

Note: The above Trade Packs use PZW1 style mounts. Smaller PZW3 style mounts (P17) for VESA 200 x 200 to 400 x 400 are also available – Call for details

Slim Profile Mounts

Versus Thin Mount Range

As screens become thinner and lighter it is only natural to have a mounting system that shows off the virtues of Direct and Edge Lit LED technology.

This new range of screen mounts is available in wall, stand or ceiling versions, tilting & non-tilting. The ceiling and trolley versions are supplied with dedicated column adapters, (single column for ceiling mounting and twin for VS1000 trolley mounting).

The non-tilting version is only 26mm deep from back plate to rear of screen, (tilting 40mm) and fits most popular VESA fixing centres 200, 300, 400 & 600 x 400.

Ceiling Mount Version

Order Code

VZWC1 5 & 10 degrees tilt

Add ceiling plate and column as required

Wall Mount Only

Order Code

VZXW1 Non-tilting

VZWW1 5 & 10 degrees tilt

VS1000 Trolley Version

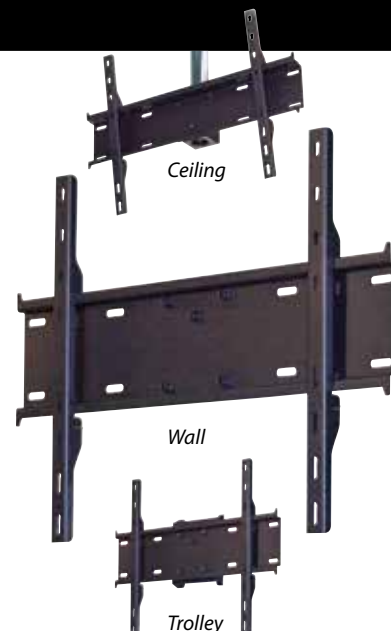
Order Code

VZXV1 Non-tilting

VZVW1 5 & 10 degrees tilt

Typically
33-57"
screens

35kg
MAX



7.5
millimetres
thin

35kg
MAX

Typically
33-57"
screens

excalibur™

Excalibur Ultra Slim Universal Wall Mounts

- * Only 7.5 millimetres thin!
- * For screens up to 57" (max 35Kg)
- * Fits all of the following VESA sizes: 200x200 / 300x300 / 400x400 / 600x400

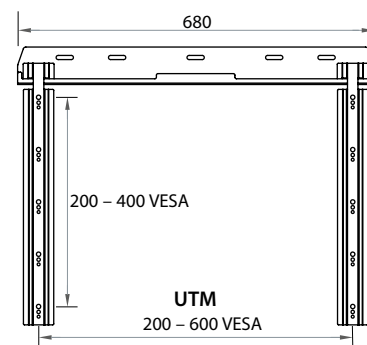
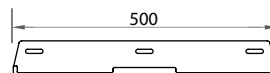
Order Code

UTM with 680mm wall plate

with 500mm wall plate

(Caution: Do check that your screen has cabling connections which allow the use of a slim style wall mount and do not protrude excessively from the rear).

UTM1
200 - 400
VESA



Small Screen Mount Range



20kg
MAX

Slim-line Wall Mount

- * for displays up to 21"

Order Code

LVC VESA up to 100 x 100



35kg
MAX

Clip-On Slim-line Wall Mount

Easy to use, fits most screens and has concealed security screw.

- * for displays up to 32"
- * VESA 75 x 75, 100 x 100, 200 x 100

Order Code

SVC1 VESA up to 200 x 100

SVC2 VESA only 200 x 200



8kg
MAX

Swivel & Tilt Mount

- * for displays up to 21"
- * VESA 75 x 75 and 100 x 100

Order Code

LVA Tilt Only

LVB Swivel & Tilt



15kg
MAX

Lectern style screen mount

For use with touch screens or in show room displays. Tilt angle fully adjustable.

- * for displays up to 32"
- * VESA 75 x 75, 100 x 100, 200 x 200

Order Code

SEV1 VESA up to 200 x 200



15kg
MAX

Tilting Wall Mount

- * for displays up to 32"

Order Code

STV1 VESA up to 200 x 200



15kg
MAX
Typically
30-33"
screens

Suspension units with swivel & tilt

Use with any Unicol ceiling or wall suspension equipment.

Order Code

SCV1 VESA up to 200 x 200

DCV1 Back to Back version

Installation Components



has cable entry



Standard Ceiling Plate

Use with any column length for suspension of projectors & single screens up to 57".

Order Code Plate holes mm

CP1 120 x 120



has cable entry



Tube Clamp

For suspending screens from lighting gantries, show stands or other structures. Screens up to 57".

Order Code

TM05 for 50mm tubes



has cable entry



Large Ceiling Plate

For long column or heavy installations typically up to 70" or twin 57" screens.

Order Code Plate holes mm

CP2 240 x 240



has cable entry



Truss Clamp

For suspending screens and projectors from standard Truss.

- for truss 40 - 55mm dia

Order Code

CT1 up to 57" screens



CP3

CP4



Stub Column Ceiling Plate

Useful in low headroom situations. Allows direct connection of Unicol PSU projector mounts etc.

Order Code Plate holes mm

CP3 120 x 120

CP4 240 x 240



has cable entry



Girder Clamps

For girders 75 to 250mm & 350mm wide. Adjustable from level to extreme angles of tilt.

Order Code Span mm

GC25 250

GC35 350

Wider span versions available.



has cable entry



Anti-Vibration Ceiling Plate

Internal damping system provides floating action to reduce vibration from above.

* plate holes 120 x 185mm

Order Code Plate holes mm

CPAV1 120 x 185



has cable entry



Tilting Ceiling Plate

For sloping or 'out of level' installations. Projectors & single screens up to 57".

Order Code Plate holes mm

CP6 120 x 120

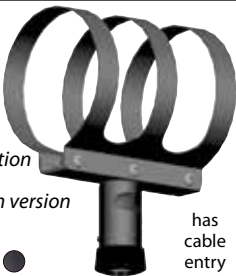


Illustration shows 300mm version



has cable entry

Pipe Clamps

Available in a wide range of sizes. Please state pipe diameter when ordering.

Typical mount for 75 - 300mm pipe shown.

Order Code

TM530



Typical unit shown for pillar diameter of 600 - 625mm

Pillar Clamps

We manufacture these clamps in a wide range of sizes for circular pillars.

Order Code

VCC1 Single Arm

VCC2 Double Arm

(Triple-arm versions available - Call for details)



Column Coupler

To enable columns with 'through bolt' holes to be joined together for vertical suspension. Coupler conceals neatly within column.

Order Code

CC



Trim Disc

Gives a neat finish where columns pass through suspended ceilings.

Order Code

TD1

Blanking Disc

Will blank any unwanted holes in ceiling tiles from 6mm to 60mm.

Order Code

TDB1



mm	Chrome finish	Stainless Steel
500	500	SS 500
1000	1000	SS 1000
1500	1500	SS 1500
2000	2000	SS 2000
2500	2500	SS 2500
3000	3000	SS 3000

Safety 'through bolt' holes must be used for suspension applications



Safety Locking Ring

Necessary at the lower end of any ceiling suspension installation using column mounted components, where safety 'through bolts' are absent.

Order Code

LR

Installation Components



Compact Bolt Down Bases

Offer minimal base footprint for fixed screen stands. M10 floor bolts (not supplied) fully recess into base. Trim caps complete the installation.

Order Code mm
ESF Single – 290w x 240d
VSF Twin – 400w x 300d



has cable entry



Twin Ceiling Plates

For suspension of screens up to 70" and floor to ceiling column installations using Floor Plates FP8 (see below).

Order Code Plate holes mm
CP8 220 x 180

has cable entry



Single Column Tilting Adapter

Use with Pozimount and Xactmatch mounts when ceiling suspended.

- * Variable tilt to 15°
- * 360° swivel

Order Code
PS7



has cable entry



Swivel Twin Ceiling Plate

For suspension of screens over 50" using any column length.

- * 360° swivel

Order Code Plate holes mm
CP9 240 x 240



PS3U1

Single Column Adapters

Use in conjunction with Pozimount and Xactmatch mounts to position screens vertically on columns. Can also be used for fixing single columns to walls.

Order Code
PS3U1 As illustrated, for screens 33"-70"
PS5TB Back-to-Back version



PS3V1

PS8

Twin Column Adapters

Use in conjunction with Pozimount and Xactmatch mounts to position screens vertically on columns. Can also be used for fixing twin columns to walls.

Order Code
PS3V1 Twin column - 33" to 70"
PS8 Back-to-Back version

has cable entry



PS1



Single Suspension Adapters

Single column mount adapter for Pozimount and Xactmatch mounts when used for ceiling suspension.

- * 360° swivel

Order Code
PS1 Single column - up to 70"

has cable entry



PS12



Twin Column Suspension Adapter

Twin column mount adapter for Pozimount and Xactmatch mounts when used for ceiling suspension.

Order Code
PS12 Twin column - up to 70"

has cable entry



PS5



360° swivel

Back-to-Back Suspension Adapter

Single column mount adapter for Pozimount and Xactmatch mounts when used for ceiling suspension.

Order Code
PS5 up to 70"

has cable entry



PS4



Twin Column Back-to-Back Suspension Adapter

We advise the use of Twin Column suspension for large / heavy back to back installations or screens which may be subject to stress or wind loads.

Order Code
PS4 up to 70"

has cable entry



PS6U1



Floor to ceiling Column Coupler

For mounting screens on two part columns.

Order Code
PS6U1 for screens - 33" to 70"

has cable entry



PS6V1



Twin Column Floor to Ceiling Couplers

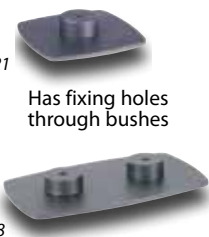
For mounting screens on two part columns.

Order Code
PS6V1 VS Range - 33" to 70"

FP1

Has fixing holes through bushes

FP8



Floor to Ceiling Base Plates

In single or twin column versions. Columns locate securely over bushes to give neat appearance.

Order Code
FP1 Use with CP1 (see page 18)
FP8 Use with CP8 (see above)

Custom Made Accessories

We offer a service in making all kinds of special or non-standard accessories – Call us when planning your next installation.



UNICOL PANARM™

Range of Swivel Arms

All steel, lasting quality, user adjustable joint tensioning, full swivel & tilt plus screen levelling

SSV Dual Arm Shown



EU Registered Design

Compact Single & Dual Arms for screens up to 32inch

The extra versatility of our dual arm units provide increased viewing flexibility – good also in alcoves or corner situations. Unit folds 7.7cm to wall and reaches 46cm fully extended. Mount plate fits all small screen VESA sizes, has tilt to 10 degrees plus screen levelling fine adjustment.

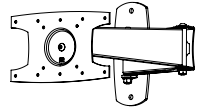
Order Code

SRV Single Arm – Fits VESA 75 x 75, 100 x 100, 200 x 100

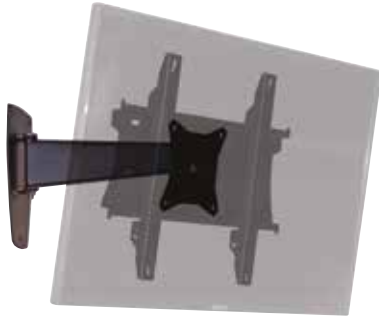
SSV Dual Arm – Fits VESA 75 x 75, 100 x 100, 200 x 100

Typically 15-32" screens

20kg MAX



These heavy duty (35Kg rated) swivel arms are fitted with our Pozimount universal screen mounts. Each arm version (single or dual) is listed with mounts suitable for either standard or small screen / portrait use.



EU Registered Design

HD Single Arm for screens up to 57inch

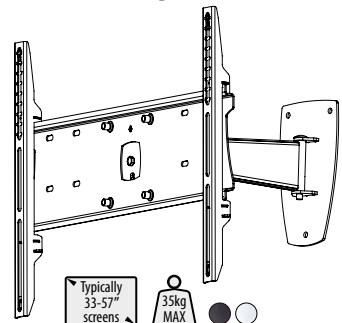
Arm fully extends to 43cm (11.5cm when folded flat) has full swivel & tilt plus screen levelling feature.

Order Code

PLS1X1 Fits VESA 200 x 200 to 600 x 400
(With Pozimount PZXU for most standard applications)

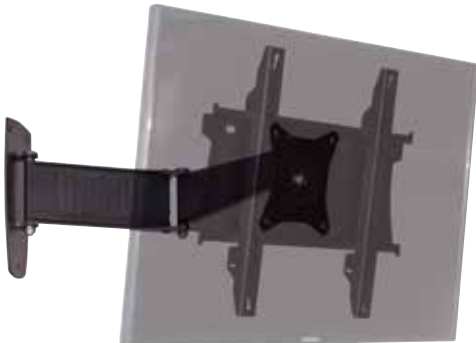
PLS1X3 Fits VESA 200 x 200 to 400 x 400
(With Pozimount PZX3 for small (32") screens or portrait mounting)

(For full Pozimount details see page 17)



Typically 33-57" screens

35kg MAX



EU Registered Design

HD Dual Arm for screens up to 57inch

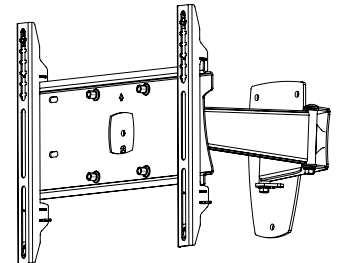
Offers enhanced degree of adjustment for more extreme viewing angles – Arm fully extends to 73cm (15.5cm when folded flat) has full swivel & tilt plus screen levelling feature.

Order Code

PLA1X1 Fits VESA 200 x 200 to 600 x 400
(With Pozimount PZXU for most standard applications)

PLA1X3 Fits VESA 200 x 200 to 400 x 400
(With Pozimount PZX3 for small (32") screens or portrait mounting)

(For full Pozimount details see page 17)



Typically 33-57" screens

30kg MAX

HD "Parallel Action" Dual Arm for screens up to 110inch

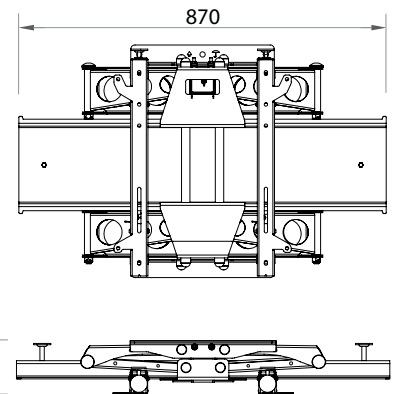
Robust construction for screens up to 130kg. Able to swivel left or right as well as track in and out in a parallel manner where its use in alcoves (but not exclusively) works particularly well.

Unit fully extends to 535mm. 126mm when closed. Comes complete with fine adjustment features for accurate screen positioning and has a cord release latch for locking when closed. Adjustable stops are included on the screen arms to prevent screens being pushed in at the sides – particularly useful when using touch screens.

Order Code

PLA4 Fits VESA 400 x 400 - 900 x 600
(Comes with fully adjustable arms)

Please provide us with the make and model of your screen.



Typically 71-110" screens

130kg MAX

UNICOL Wall Arm System

Wall suspension for screens, projectors, Guardboxes etc.

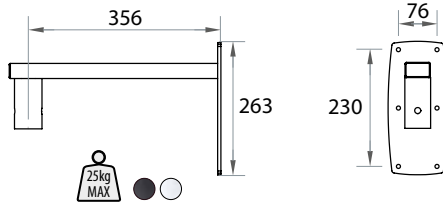
These standard wall arm units are designed for use with any of our screen or projector mounts, Guardboxes etc.

We manufacture two versions; WB1 allows direct connection of mount (using PS1 suspension adapter) and WB2 as a suspension column version. Wall arms can be fitted with any Unicol screen or projector mount listed in this catalogue.

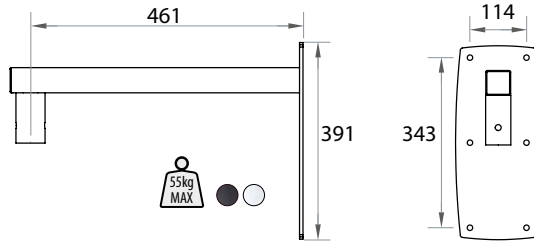
See pages 16 & 17 for screen mounts and page 21 for PS1 adapter.



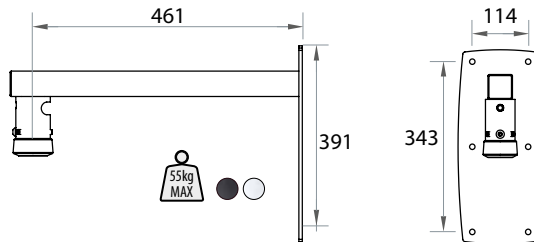
Order Code
WB0 Peg
WB02 Socket



Order Code
WB1 Peg



Order Code
WB2 Socket



Other arm lengths are available – Call us for details.

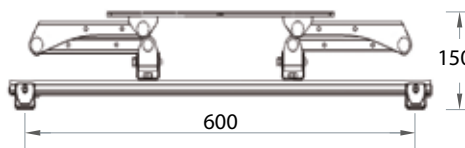
HD "Parallel Action" Dual Arm for screens up to 70inch



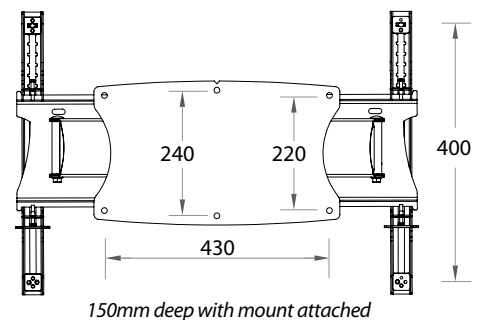
Robust construction for screens up to 60kg. Able to swivel left or right as well as track in and out in a parallel manner where its use in alcoves (but not exclusively) works particularly well.

Unit fully extends to 520mm. 150mm when closed. Adjustable tilt built in.

Order Code
PLA2XU Fits VESA 300 x 300 to 600 x 400
(Comes with Pozimount PZXU)



Typically 33-70" screens
60kg MAX



Outdoor Housings

- * IP53 rated with vandal resistant screen protection
- * Wall, ceiling or back-to-back mountable
- * Wide range of sizes available – 32" to 80" screens
- * Heating / cooling in response to ambient temperatures
- * User replaceable cartridge style air filtration
- * Every housing individually made with
- * Corrosion resistant for long life in all weathers
- * Rounded corners available

- Order Code
- ODH0** Square Corners – 30" to 32"
 - ODH1** Square Corners – 33" to 57"
 - ODH2** Square Corners – 58" to 70"
 - ODH3** Square Corners – 80"

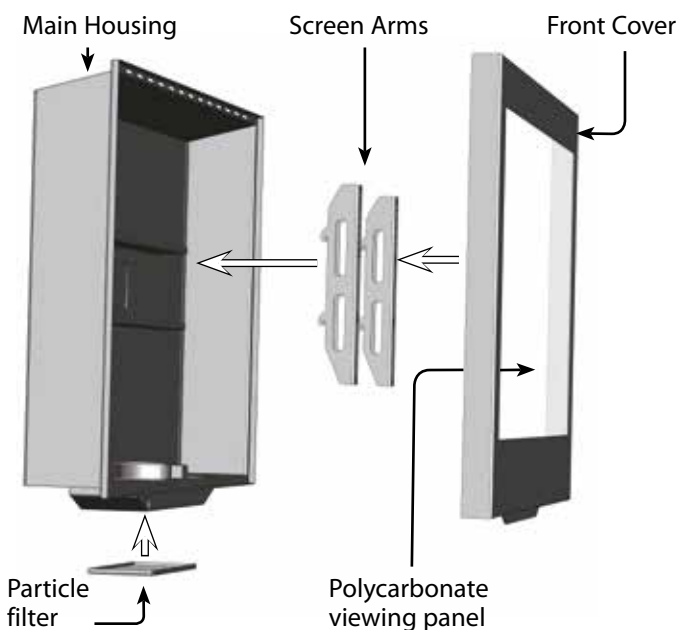
Anti-reflective screen – optional

Rounded corners available
– Call for details

Typically 30-80" screens

Unicol pioneered the development of outdoor housings and has unrivalled experience in this specialised field. Our well proven range of housings go from small screen monitors used in harsh environments right up to the latest 80inch large format screens.

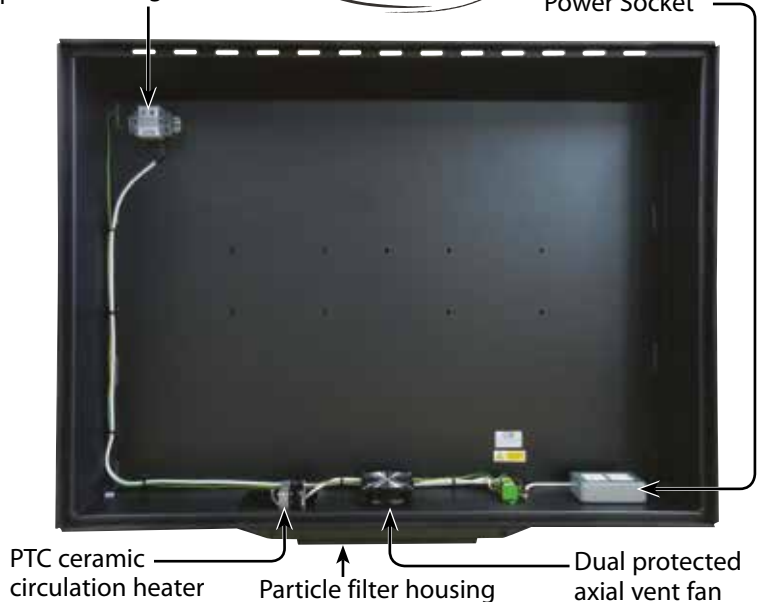
All are constructed in 1050 grade aluminium and utilise high quality temperature control components within. Screen viewing panels in impact resistant polycarbonate are incorporated as standard, toughened or laminated glass is also available as an option.



Dual hi/lo temperature regulator



2-way metal clad Power Socket



Protective Covers & Interactive Display Products



Screen Protective Covers

5mm thick, clear, anti-shatter screen with a metal bezel provides a durable front cover for screens.

We can supply bespoke versions in branded colours including logos. Anti-reflective screens, rounded corners & portrait versions are also available.

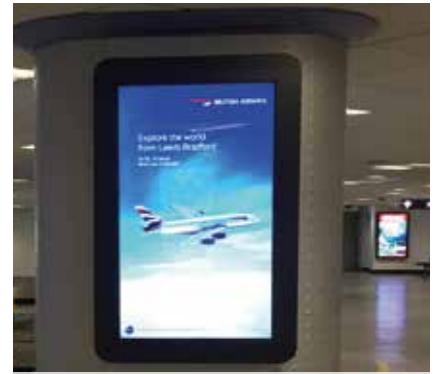
Order Code

- PCL0** 15" to 32"
- PCL1** 33" to 57"
- PCL2** 58" to 70"

Typically 15-70" screens

Anti-reflective screen – additional price

* Rounded corners and portrait versions available – Call for details



Cover with rounded corners
London City Airport



Tesco Stores

Rear Covers

We design and manufacture custom made rear covers for a wide range of screen sizes. These enhance any installation and provide a neat appearance enabling cables & connections to be hidden when screens are installed in open areas.

Full screen versions or partial covers to enclose only the cables & connections are available.

Order Code

- BCW1** Full covers - screens 33" to 57"
- BCW2** Full covers - screens 58" to 70"

Typically 33-70" screens

Call us for details quoting make & model of screens being installed



Birmingham Bullring



Universal Mount Version

Housing inner dimensions
320(w) x 100(d) x 330(h) mm

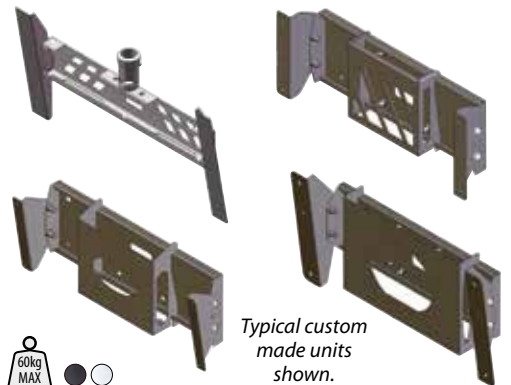
Screen Mount / PC housing combinations

We manufacture screen mounts incorporating housings for small form factor PC's. These units greatly reduce installation time. Units are listed below incorporating our Pozimount universal mounts in tilting & non-tilting versions.

Custom made, security locking versions & power socket options also available.

Order Code

- PCZW** Universal PC Housing Tilting
- PCZX** Universal PC Housing non-Tilting

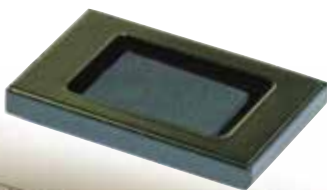
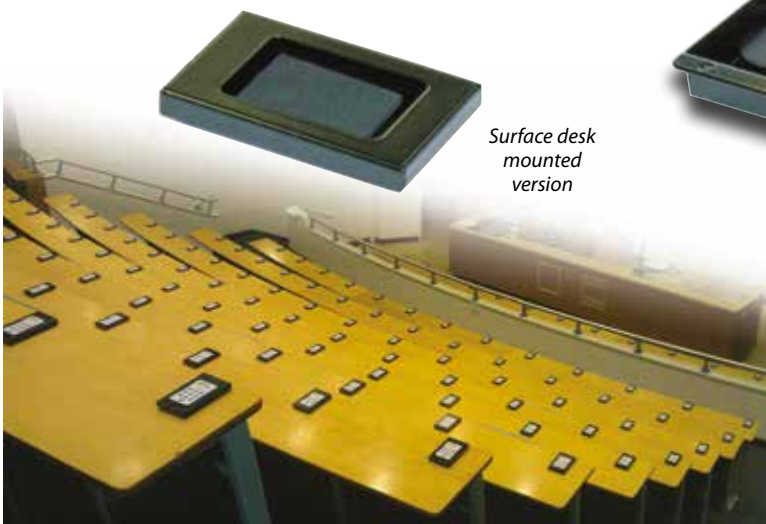


Typical custom made units shown.

60kg MAX

State make & model of screen & PC to be housed

Electronic Voting System Holders



Surface desk mounted version



Under desk cord retractable version

Provides easy but secure use and location of interactive electronic voting units. Two versions available; surface desk mounted and a cord retractable version for discrete under desk fixing.

Order Code

- BAL1** Surface desk mounted
- BAL2** Under desk cord retract version

ADAPTA-WALL®

Patent Pending Registered Design

The installer friendly Pop Out mount loaded with innovative features.

- * With standard 'Push to close - Push to open' action. Also available with remote latching system where closure with absolutely no screen contact in the case of ultra thin or delicate displays is required.
- * For widest range of screen fixings; VESA 200 x 200 to 800 x 400mm.
- * Full screen adjustment in all planes.
- * For screens up to 45Kg.
- * Accurate horizontal / vertical centre line marks on all back plates for easy set up. (Set up templates also available).
- * For direct wall fixing or use with our video wall structure components for ceiling, floor to ceiling or floor to wall applications.
- * Optional 'pull cord' security feature prevents unauthorised 'Pop out' operation in public areas or any situation required.

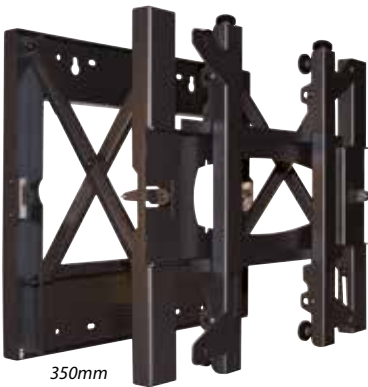
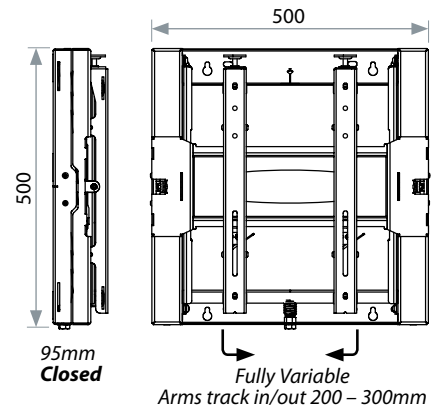


Compact Version

Order Code
VWP0

The compact size of this version is for screens up to 40" & covers VESA sizes 200 to 300mm. Comes complete with fine adjustment features for accurate screen positioning.

Fits VESA
200 x 200mm
300 x 300mm
(and any
screen fixings
in between)

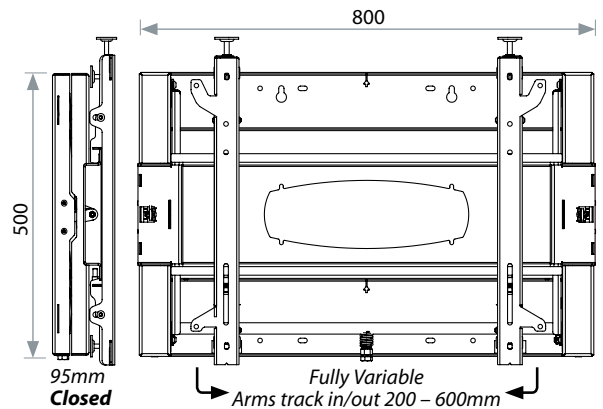


Standard Version

Order Code
VWP1

Ideal for most video wall applications and covering a wide range of VESA sizes. As with all Adapta-Wall mounts comes complete with fine adjustment features for accurate screen positioning.

Fits VESA
300 x 300mm
400 x 400mm
600 x 400mm
(and any
screen fixings
in between)



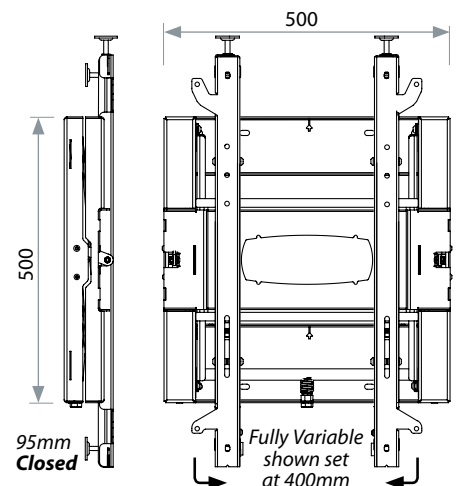
For screens with VESA 800 x 400mm fixing points a stretched version, VWP3 is available

Portrait Version

Order Code
VWP2

The compact (500mm) width of this version allows use of screens in portrait mode whilst accommodating a wide range of VESA sizes.

Fits VESA
300 x 300mm
400 x 400mm
400 x 600mm
(and any
screen fixings
in between)



* All versions can be direct wall fixed or used in conjunction with our Adapta-Wall structure system fittings

Pop Out Mount Video Wall Structures

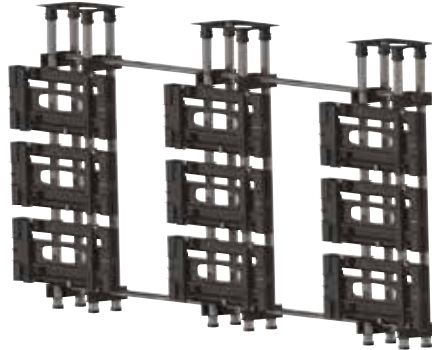
Adapta-Wall structure system is designed for use with our Pop Out mounts where direct wall fixing is not appropriate. Ceiling / floor to ceiling / floor to wall structures can be constructed easily, using multiples of the parts listed below together with standard Unicol columns.

We offer a rapid free design service (with full drawings & technical information supplied). Call us for any installation being considered.

Ceiling Suspended

Uses four column parts to provide a rigid suspended structure and increased spread for ceiling fixings. Structures consist of;

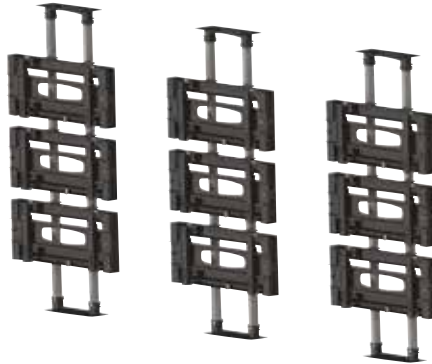
- Quad Ceiling Plates VWPA10
- Tie Braces VWPA1
- Safety Locking Rings LR
- Columns (see Page 20)
- Adapta-wall Pop Out mounts
- Mount U-Clamps VWPA5



Floor to Ceiling

Uses twin column parts to provide anchorage at floor and ceiling levels. Structures consist of;

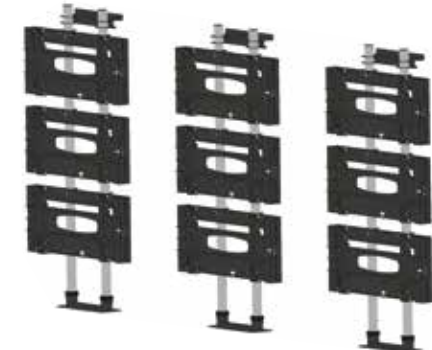
- Floor Plates VWPA4
- Twin Ceiling Plates VWPA2
- Columns (see Page 20)
- Adapta-wall Pop Out mounts
- Mount U-Clamps VWPA5



Floor to Wall

Uses twin column parts to provide anchorage at floor and wall positions. Structures consist of;

- Floor Plates VWPA4
- Wall Plates VWPA9
- Columns (see Page 20)
- Adapta-wall Pop Out mounts
- Mount U-Clamps VWPA5



3x3x46" Ceiling Suspended video wall, Cheshire University



8x3x55" Curved video wall for Emirates Airline, Thames cable car, London

Four Column Structure Parts



Ceiling Plate

Order Code
VWPA10 Quad Ceiling Plate



Tie Brace Units (pair)

Use with 4 column structures. These neat units connect vertical and horizontal columns to form a rigid structure.

Order Code
VWPA1 Tie brace units (pair)



Locking Rings

Column safety end stops, -necessary for all ceiling suspension installations.

Order Code
LR Locking Ring

Twin Column Structure Parts



Ceiling Plate

Order Code
VWPA2 Twin Ceiling Plate



Wall Plate

Order Code
VWPA9 Wall Plate



Floor Plate

Order Code
VWPA4 Twin Floor Plate



Mount U-Clamps (set of four)

To fit Adapta-wall mounts to columns. (Universal for all Adapta-wall structures).

Order Code
VWPA5 U-Clamps

ScreenRail Universal Mounts



ScreenRail™

Photo courtesy of Pioneer Digital Solutions

ScreenRail Universal Multi-Display System

A highly adaptable rail system for mounting flat screens in-line, in any number. –Ideal for Digital Menus, Telepresence, basic Video walls etc.

ScreenRail system comprises a choice of 3 standard rail modules and a range of screen arms to cover all applications. The screen arms are listed in standard non-tilting & tilting versions & for displays in portrait or landscape. Other options include micro adjustable arms for precision alignment of screen faces.

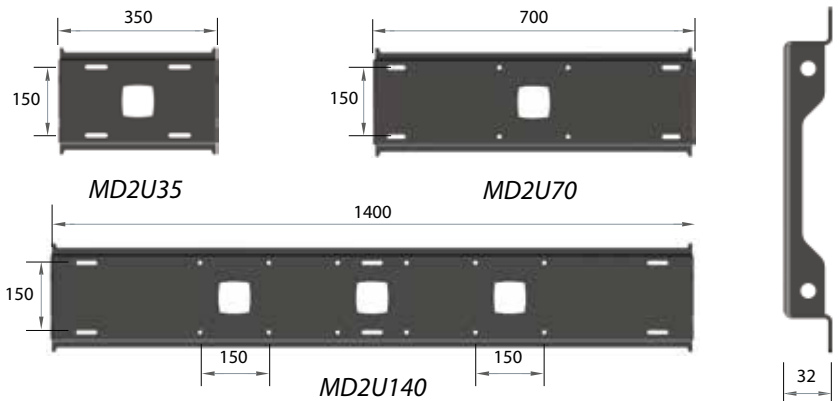


How to order

Select any combination of rail modules and screen arms for your installation. (Total rail length should be just shorter than the total length of the display to allow the screen arms ample latitude when fitted to the VESA locations).

Rail Modules

In 3 standard lengths, all with identical section profile for full interchangeability. Provision for bolting together as required. May be direct wall fixed, with or without tilt extension brackets (SR10 / SR20) or ceiling suspended.



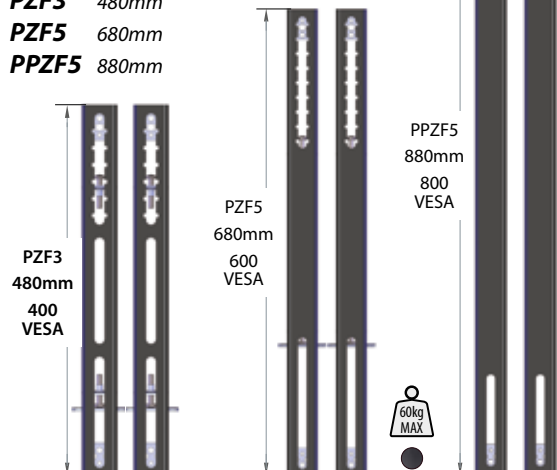
Order Code	mm
MD2U35	350(w) x 45(d)
MD2U70	700(w) x 45(d)
MD2U140	1400(w) x 45(d)

Other lengths available to order: 450(w), 800(w), 1200(w), 1700(w), 1800(w), 21000(w) – Call for details

Standard Arms

As used on our Pozimount universal mounts. Supplied with M4, M5, M6 & M8 fixing screws. Arms incorporate 5mm screen levelling feature and are 45mm deep.

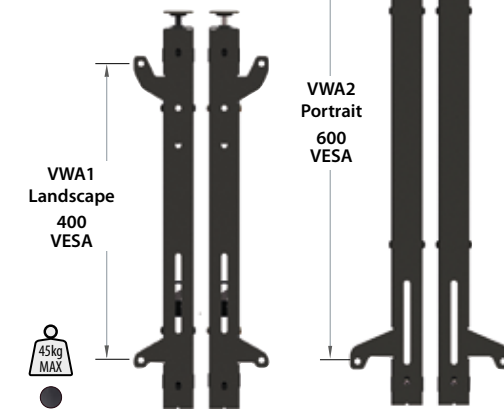
Order Code	length
PZF3	480mm
PZF5	680mm
PPZF5	880mm



Tool-less Adjustable Arms

Feature 12mm in-out adjustment and 5mm of levelling fine adjustment. Side to side adjustment included.

Order Code	
VWA1	Landscape
VWA2	Portrait



Fixed Tilt Stand-off Brackets

Use these optional brackets to provide tilted display whenever required. 10 or 20 degree tilt versions listed.

Order Code	
SR10	10° tilt (pair)
SR20	20° tilt (pair)



Free Standing Video Walls

SimplexTM
Video Wall System

Video Walls Simplified

- * Ideal for screens 40" to 57" (screens up to 35Kg)
- * Safe screw adjustment system for screen height set-up
- * Rapid dismantling / reassembly for storage or transportation
- * Height options easily achieved by changing column uprights
- * Individual screen adjustment – all directions and in all planes
- * Bases include bolt down facility for use whenever required

These video wall units, based upon our latest Screen Rail system and utilising our well proven Unicol column structures are quick and easy to assemble yet robust and reliable in use.

Initial screen set-up is made all the easier by a neat screw jack system. Once set the structure can be part dismantled for relocation / speedy reassembly whenever required.

Order Code

SIM1 3 x 3 - typical 46"

SIM2 3 x 3 - typical 57"

SIM3 4 x 3 - typical 46"

SIM4 4 x 3 - typical 57"

Prices above are for guidance only – Please state screen make & model when ordering



Retail Window Solutions

Ideal for retail and other applications to enable screens to be tracked in / out or from side to side, thus opening exciting possibilities for window displays, dynamic presentations, servicing needs or just access for screen / store front cleaning.

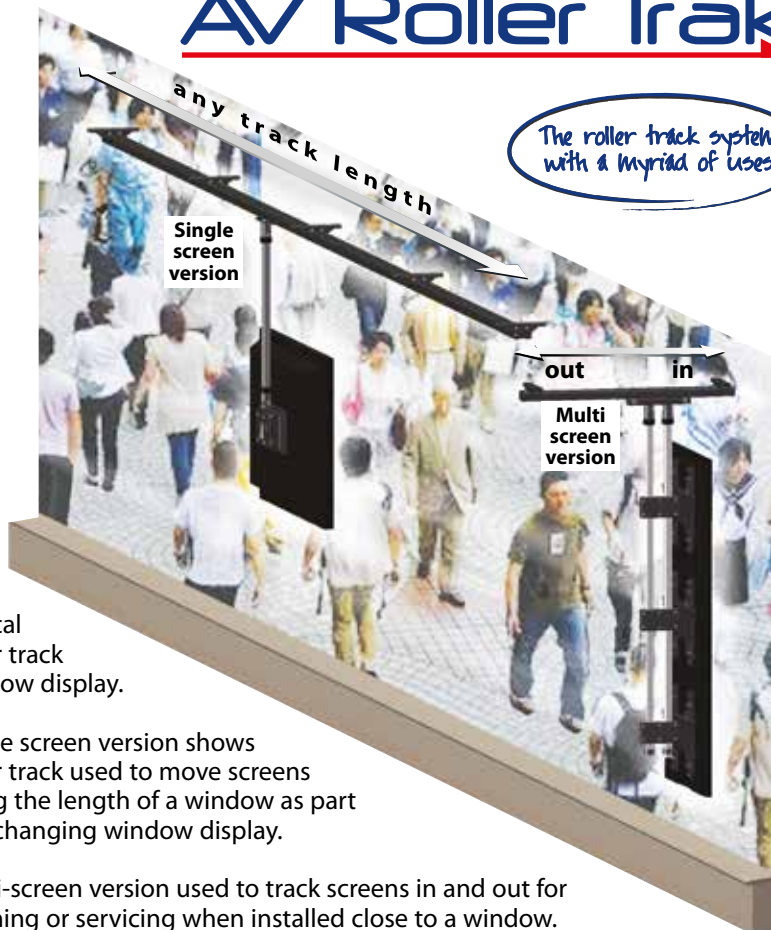
AV Roller Trak system consists of track lengths of standardised design which carry smooth running ball bearing trolley units. Standard Unicol column lengths & screen mounts complete the installation.

- * Smooth, easy operation
- * Single or multiple screens
- * Wide choice of track lengths
- * Swivel or Rotamount options



– Call us for full system details and options.

AV Roller TrakTM



Typical roller track window display.

Single screen version shows roller track used to move screens along the length of a window as part of a changing window display.

Multi-screen version used to track screens in and out for cleaning or servicing when installed close to a window.

Floor to Ceiling Systems

These are available in standard (single column) and heavy duty (twin column) versions, giving the option of single sided, back to back or multiple screen presentation. Our floor to ceiling units are built up from the standard installation accessories listed on Pages 20 & 21 of this catalogue to give an almost infinite range of options.

– Our technical support team are pleased to advise on the best choice for any installation project being considered.



Multi-screen installation World Duty Free, Heathrow Terminal 5

Single column style for normal applications. –Single screens up to 70" or multiple small screens.



Single sided

Typical multi-screen installation

Back to Back

Special version for touch screen applications



Twin column style for heavy / multiple screens and tall headroom installs.

Single sided

Back to Back

Typical twin column assembly using standard parts listed on Pages 20 / 21



Multi-Screen Gantry Systems

Spider Gantries

These ceiling mounted units are available for a wide range of screen sizes incorporating our Pozimount universal tilting screen mounts. The spider style and single column gantry versions have swivel capability and all have cable entry ports for neat installation.

By their very nature all spider style and in-line gantries incorporate parts which are factory made to suit specific requirements but all versions are available on a short turn round basis.

Call our technical support team for advice on any project or installation being considered.



Spider – triple screen unit



* We also manufacture gantries for projectors
–Call us for details

In-line Gantries

Spider – five screen 'pentagon' unit



CP5 Ceiling Mount

Side View



Single sided In-line gantry



Side View



Back-to-back In-line gantry

Typically 33-57" screens

Typically 33-57" screens



Spider six screen gantry - illustration shows typical gantry main frame. Add heavy duty column / CP5 ceiling mount (special to these gantries) & screen mounts (pages 16/17).

Order Code

- SG3** 3 screen spider gantry - max weight per screen 50Kg
- SG4** 4 screen spider gantry - max weight per screen 50Kg
- SG5** 5 screen spider gantry - max weight per screen 40Kg
- SG6** 6 screen spider gantry - max weight per screen 35Kg
- CP5** Large gantry ceiling mount for use with above

Order Code Bar Length (mm)

- DIG5** 100-500
- DIG10** 500-1000
- DIG15** 1000-1500
- DIG20** 1500-2000

Order Code

- MSS1** Bolt on socket
- MSP1** Bolt on peg

In-line gantries require MSS1 sockets or MSP1 pegs (above), Single sided require PS1s, Back-to-Back PS5s (Page21). All require Screen Mounts (Pages 16/17).

Product codes & prices listed are intended as a guide as most gantry installations are 'project driven' with the make/model & number of screens as well as the location already chosen. Call our technical team who have wide experience in advising the necessary mount component 'package' to best meet the needs of your installation.



Unicol are at the forefront of support system design for indoor 'tile module' LED displays, offering bespoke solutions for free-standing, floor to wall and ceiling suspension.

With 'tile module' LED displays not only offering the ability to configure seamless displays to previously unattainable scale - typically 8m x 3m or larger but also in any desired format i.e. normal screen, stretched landscape or extended portrait, the need for a safe and well engineered support structure becomes all the more essential.

Unicol's experience in designing and manufacturing such installs for the retail, corporate, public and other sectors is your reassurance for any new project being considered.

- * Free standing and wall or ceiling suspension versions available
- * Purpose designed and manufactured to fulfill the requirements of each project
- * Simple on-site assembly
- * Structures for most display options
- * Installer and maintenance friendly
- * Expert advice for projects being considered

- Call us for details



Kiosk Enclosures

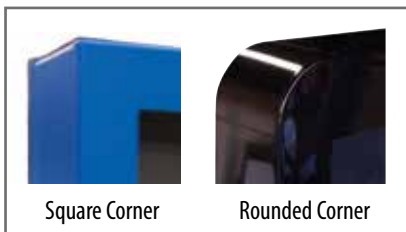


Kiosk style enclosures for large format screens in floor-fixed and free standing versions.
Ideal for indoor digital signage applications.

Our Special Projects Design department has been engaged in the ongoing development of these units and can produce conceptual and production versions for many varied applications. The latest version shown below is for a 75 inch display with optional reinforced plinth protection.

- * Single or back-to-back displays
- * Interactive touch foil option
- * Internal air circulating fans
- * Polycarbonate screen cover
- * Laminated glass option
- * Easy to assemble and install
- * Bolt down or free-standing
- * Branding options available
- * Access panel for easy maintenance
- * Sinterflex black and other finishes
- * Optional plinth protection
- * Wide choice of screen options
- * Square or rounded corners
- * Space for players and PCs
- * Fast order turnaround

– Call us for details



K-Touch Kiosk

Trolley or wall mounted for 40" to 75" screens in portrait or landscape. It has a touch foil on 6mm laminated glass with 2 point or 20 point touch options. The image above shows a 50" version with rounded corners trolley mounted. Call us for details stating make & model of screen



Screen Size		Standard Single Sided		Standard Back to Back	
		Square Corner	Rounded Corner	Square Corner	Rounded Corner
46"	Order Code	TOTEM461	TOTEM463	TOTEM462	TOTEM464
55"	Order Code	TOTEM551	TOTEM553	TOTEM552	TOTEM554
65"	Order Code	TOTEM651	TOTEM653	TOTEM652	TOTEM654
75"	Order Code	TOTEM751	TOTEM753	TOTEM752	TOTEM754

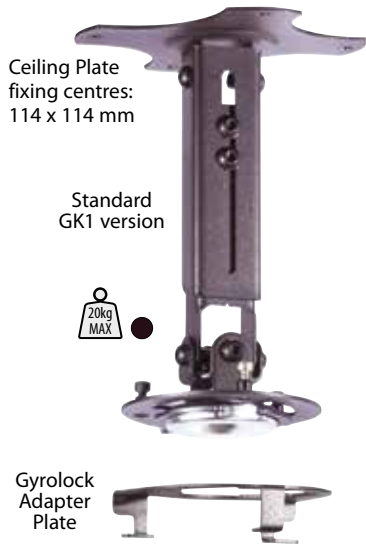
Gyrolock Projector Mounts – Adapter Plate Range

Gyrolock® ~ With Trilok® Docking System

The Trilok docking system uses a standardised 'bayonet style' fitting to carry projector mounting plates made specifically to fit each make & model of projector (a universal version also listed). The docking system allows easy projector set up, removal for routine maintenance and for future model change.

10
Years
of
proven
design

Over 150,000 sold!

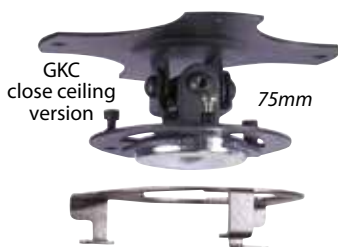


- * **Installer friendly – Standard GK1 version fits anyway up, ceiling, wall or base fixable**
- * **Projector locks into Trilok® docking system, using either our dedicated Gyrolock Adapter Plates (GAP) or universal adapter (GAPU)**
- * **Full tilt & turn adjustment for easy screen set up**
- * **Telescopic – for use through suspended ceilings or in any high, low or normal headroom situation**
- * **Safety rated for projectors up to 20Kg ceiling mounted or 12Kg wall mounted (GK1 only)**



Select any of these versions to suit your headroom needs.

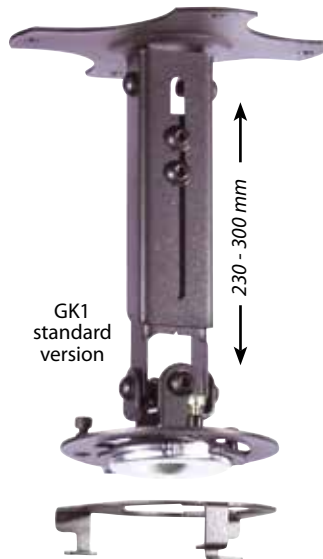
All use the Trilok docking system and are supplied with either a dedicated projector mount (GAP) or optional universal adapter plate (GAPU).



Close Ceiling Version

Order Code max weight
GKC-GAP 20kg
(Projector adapter plate version – state projector make & model).

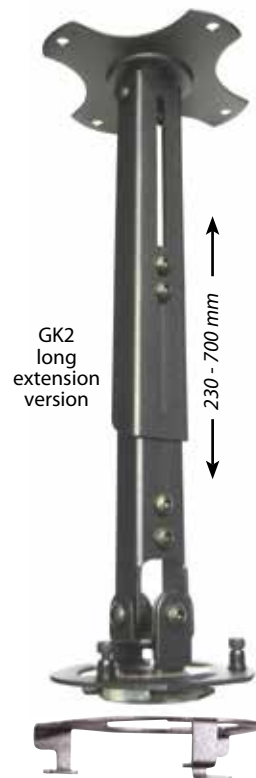
Order Code max weight
GKC-GAPU 12kg
(Universal projector mount version)



Standard Version

Order Code max weight
GK1-GAP 20kg
(Projector adapter plate version – state projector make & model).

Order Code max weight
GK1-GAPU 12kg
(Universal projector mount version)



Long Extension Version

Order Code max weight
GK2-GAP 20kg
(Projector adapter plate version – state projector make & model).

Order Code max weight
GK2-GAPU 12kg
(Universal projector mount version)



Column Suspension Version

Gyrolock 'head' complete with adapter plate (or universal mount). –Needs column and ceiling plate (see Page 20) to complete your installation.

Order Code max weight
GK4-GAP 20kg
(Projector adapter plate version – state projector make & model).

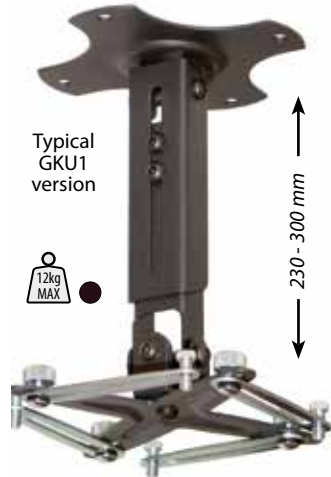
Order Code max weight
GK4-GAPU 12kg
(Universal projector mount version)

Gyrolock Projector Mounts – Universal Mount Range

These products are the subject of UK and USA design rights. UK Registered Design 3071575. UK Trade Mark 2244062. US Patent 10/049390.

Gyrolock® ~ With Universal Mounts

These universal mounts offer a wide range of adjustment not only to cover widely differing projector screw fixing centres but also allow clearance for contour variations often found in projector design. A universal screw pack to cover most projectors is included.



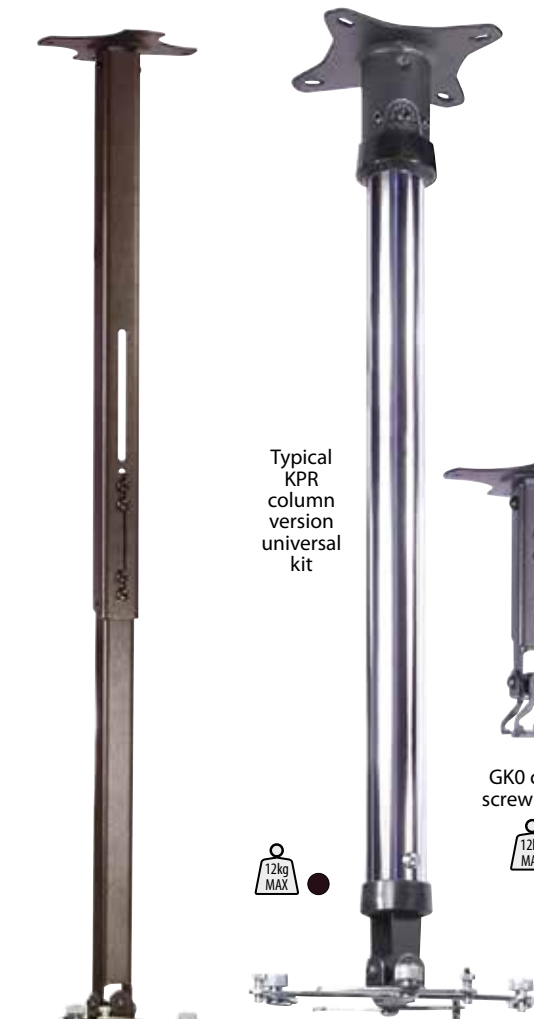
Typical GKU1 version

12kg MAX

230 - 300 mm


Order Code	Height
GKU1	230 to 300mm
GKU2	230 to 700mm

230 to 700mm




Typical KPR column version universal kit

12kg MAX



Typical GKU1 version




GKUX Compact

12kg MAX


Gyrolock Compact
Easy installation
Fixed height

Order Code	GKUX
------------	-------------




Gyrolock Long
Adjustable from 700 to 1200mm

Order Code	GKU3
------------	-------------




Column Version Universal Kits

Order Code	Column mm
KPR15CB	500
KPR110CB	1000
KPR120CB	2000
KPR130CB	3000



GK0 camera screw version

12kg MAX



GKUT1 truss clamp version


12kg MAX

230 - 300 mm

Truss Clamp Version
Universal mount with standard truss clamp fitting.
For all trusses 45 – 55mm dia.

Order Code	Extension mm
GKUT1	230 - 300
GKUT3	700 - 1200

Gyrolock Parts & Accessories




Wide range available

Adapter Plates
Enables changeover whenever replacing projector. State make & model when ordering.

Order Code	GAP
------------	------------

20kg MAX




EU Registered Design 00221072-0001

Universal Adapter Plate
Designed to fit most projectors.

Order Code	GAPU
------------	-------------


12kg MAX



Column Suspension Version
Universal mount for direct column connection. See Page 20 for columns & ceiling plates.

Order Code	GKU4
------------	-------------

12kg MAX



Gyrolock Trim Disc
Shaped to fit Gyrolock mast. Gives a neat finish to installations through suspended ceilings.

Order Code	GKTD
------------	-------------

* For standard column trim discs see page 18.

Projector Suspension Units



Copyright Hilary Lloyd, Photo courtesy of Sadie Coles HQ, London

Our PSU (Projector Suspension Unit) range covers all makes of projectors. Each mount is specifically designed for the individual projector models listed, supporting the projector either inverted or in a cradle according to manufacturer's recommendations.

Direct Fixing



The preferred method of projector mounting. All our PSU mounts are designed to align accurately with the projector mounting holes and take account of cooling or lamp access needs.

All PSU mounts are now available as micro adjustable versions having 2 axis, level & tilt. (See centre panel).

Order Code

- PSU** Standard direct fixing version
- PSC** Cradle direct fixing version
- VSU** Vertical down aspect version
- PPSU** Portrait version
- PSM** Micro-adjustable version

Trim Disc

Gives a neat finish where columns pass through suspended ceilings.

Order Code

TD1



Cradle Units



An alternative method of projector mounting, either to meet a projector's optical needs or to give protection to projectors when used in 'location to location' or hire circumstances.

Micro Adjustment®

This 2 axis micro adjustment factory fitted option is available for most PSU units and provides a range of precision adjustment in level and tilt.



PSU Specials



We have a wealth of expertise in the design and manufacture of all kinds of projector suspension units to meet client's special requirements. These include mounts for downward or upward projection, multi-projector units, 3D rigs and one-off projects.

– Call us when planning your next installation

Our range now extends to over 600 PSU projector suspension units!



Photos courtesy of Smelling Business Systems

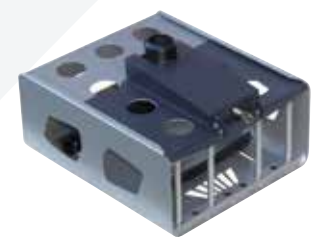
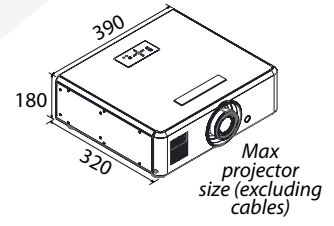
Guardbox Projector Security Cages

GUARDBOX® Anti-theft Enclosures

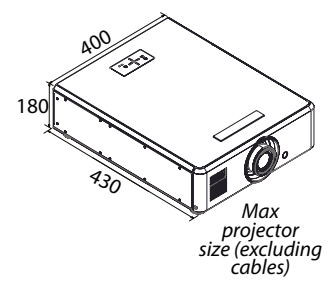
Constructed from heavy gauge steel and incorporating many innovative features. Five sizes are available covering a wide range of projectors. Each Guardbox incorporates our unique twin bar system, designed to fit into a number of slots for different projector lens positions. Each bar has another bar fitted inside making it virtually impossible to hacksaw through.



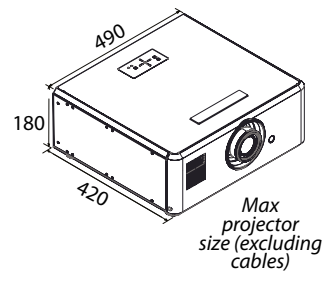
Order Code
PGX



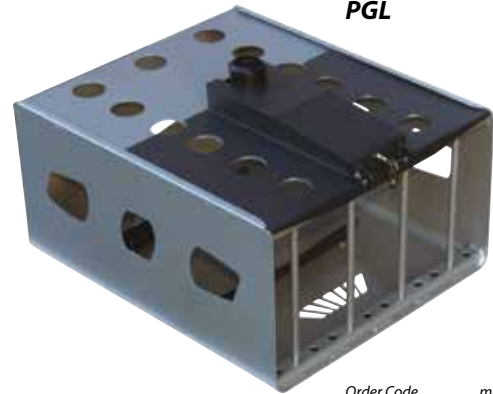
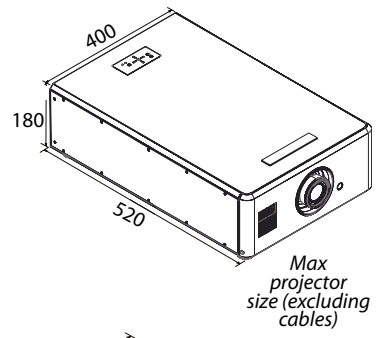
Order Code
PGS



Order Code
PGM



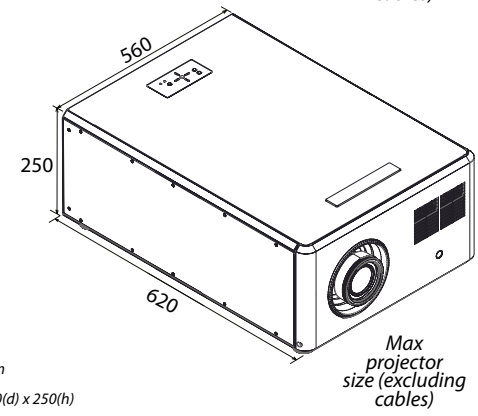
Order Code
PGL



Order Code

PGG 560(w) x 620(d) x 250(h)

PGW 600(w) x 550(d) x 250(h)



Colour Silver/Black/Orange

Taglock Kit

As a further aid to security for the Guardbox range, our 'Taglock' Kits are available to provide secondary locking.

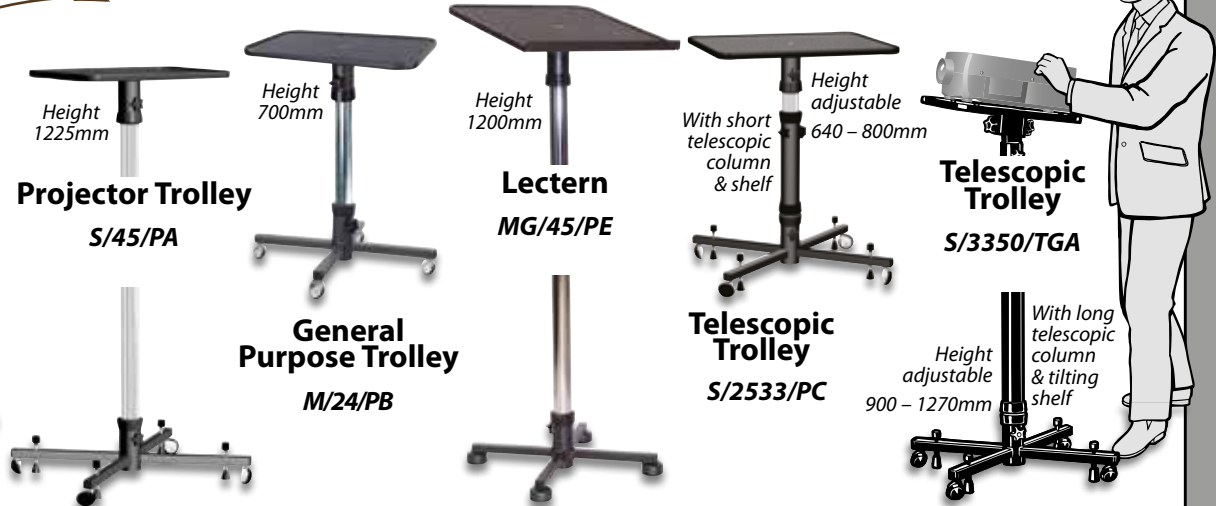


Order Code

TLK Comes with padlock

Single Column Stands & Trolleys

Since 1963 - The original Unicol system of stands & trolleys



Height 1225mm
Projector Trolley
S/45/PA

Height 700mm
General Purpose Trolley
M/24/PB

Height 1200mm
Lectern
MG/45/PE

Height adjustable 640 - 800mm
With short telescopic column & shelf
Telescopic Trolley
S/2533/PC

Height adjustable 900 - 1270mm
With long telescopic column & tilting shelf
Telescopic Trolley
S/3350/TGA

Platforms
In a range of useful sizes.

Order Code Size mm

PA 300 x 450

PB 450 x 450

PC 450 x 550

Lectern Platform
Fixed reading angle of 15 degrees.

Order Code Size mm

PE 450 x 450

Tilting Platforms
Fully adjustable from level to 10 degrees.

Order Code Size mm

TGA 300 x 450

TGB 450 x 450

TGC 450 x 550

Standard Columns

Order Code	Length
16	410mm
24	610mm
30	760mm
36	900mm
45	1140mm

Also available with longer inner columns

Telescopic Columns

Order Code	Trolley height range
2533	640 to 840mm
3350	840 to 1280mm

Accessory Shelves
Fully height adjustable.

Order Code Size mm

AP 300 x 300

AD 400 x 400

Bases

Order Code Size mm

M Trolley 400 x 400

MG Stand 400 x 400

Bases with Jacking Feet

Order Code Size mm

S 450 x 550

L 550 x 650

Other Trolleys

Equipment Trolley
Utility trolley with a great many uses to carry medical, laboratory or test equipment. Other platform sizes listed.

Has heavy base with 10cm rubber tyre castors.

Platform 45x45cm
Trolley Height 75cm

Order Code
T1B/24/PB

Base unit available as separate purchase.
Order Code
T1B

Original TC1000 Trolleys
The standard trolley in service with many schools & colleges. Has universal screen mount & equipment shelf. Conversion kit also available for existing trolleys.

Order Code
TC1000

Conversion kit complete

Gives existing TC1000 trolleys a new lease of life. Conversion kit replaces old style TV mount for modern flat screen use.

Order Code
TCK

Camera Stands
Superior to tripods for a great many applications. Solid base with braked wheels gives excellent stability.

Fluid effect head

Telescopic camera stand

Order Code
CS1000

35 - 200cm vertical movement

Studio camera stand

Order Code
CS2000

Parts & Accessories



10cm Castors
(Standard – set of 4)
Order Code
C104



10cm Heavy Duty Castors
(HD braked – set of 4)
Order Code
BC104



Socket Cap
Order Code
SC



Spray Paint
Touch in paint in Sinterflex Black / White or Diamond Silver – 400ml cans.

Order Code
SPB Black
SPW White
SPS Silver



Replacement Lock & Keys
Order Code
LK

Please note: Our 10cm Heavy Duty castors (BC104) are bolt fixed for added strength and to prevent swivel as well as rotation of the wheel, they are intentionally not interchangeable with our 10cm (C104) castors.



7.5cm Castors
(2 plain / 2 braked – set of 4)
Order Code
C074



5cm Castors
(Orbit set of 4)
Order Code
C054



Hand Wheel
Order Code
HW38F



Drilling Jig
Installer's cutting and through-bolt drilling jig for columns.
Order Code
CDJ1



Allen Key
Fits Grub Screws & Through Bolts
Order Code
AK316

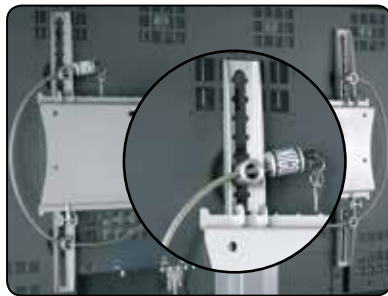


Safety Through-bolt
Order Code
TB38F



Grub Screw
Order Code
GS38F

Security Devices, Video conference Shelves, Unicol Columns



Screen Security Kit

Use this easily fitted Security Kit with any of our mounts.

The 2200mm tough steel cable system has special fittings which shield access to the screen fixing screws.

Order Code
PSK



Locking Ceiling Plate

Fits standard CP1 ceiling plate shielding the fixings to deter unauthorised removal.

Order Code
CPSC1



TV Remote Wall Holders

- * Locks remote to wall
- * Reflects beam to TV or projector



Ideal in any classroom or lecture theatre. These clever devices reflect the remote control IR beam direct to projector or screen thus avoiding the need for hard wiring, locking the remote ready for use.

Order Code
RGHW Standard for most remote Units
RGH1W Custom unit for large remotes

TETHERLOC® Gyrolock Anti-theft Kit

Tough steel cable system has special fittings which shield access to the projector fixing screws and link the mount and projector to protected ceiling fixing bolts.

Order Code
GT40 for GK1 (40cm cables)
GT80 for GK2 (80cm cables)
GT130 for GK3 (130cm cables)



Video Conference Camera Wall Shelves

Neat units in glass or metal for wall mounting.

Order Code
WBVC Metal - 350w x 250d
WBVG Glass - size: 500 x 400



Versions also available for specific video conference cameras and codecs – Call us for details.

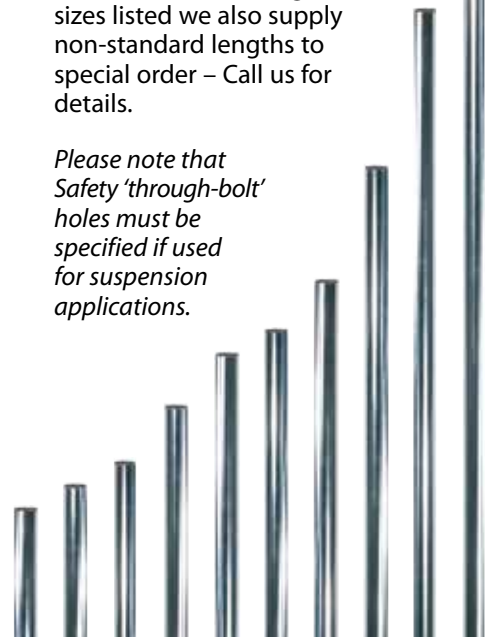


Unicol Columns

In standard chrome finish and stainless steel. Also available in colour finishes to special order & unpainted.

In addition to the range of sizes listed we also supply non-standard lengths to special order – Call us for details.

Please note that Safety 'through-bolt' holes must be specified if used for suspension applications.



Standard Chrome Finish
(Order Code suffix 'C' – for ceiling suspension only)

Order Code	length mm
16	410
500	500
24	610
30	760
36	900
1000	1000
45	1140
1500	1500
2000	2000
3000	3000

List above indicates traditional imperial and metric lengths

UNICOL[®] SPECIAL PROJECTS - a small selection



Digital Menus



Airports



Floor to Ceiling



Pods on Wheels



Ceiling Video Wall



Interactivity



Theatre



Retail



Education



Curved Video Walls



Control Rooms



Museums

UNICOL Willi-Grasser-Str.15 D-91056 Erlangen +49(0)9131 9405 800 info@unicol.de www.unicol.de

