

UNICOL[®]

TABLEAU+

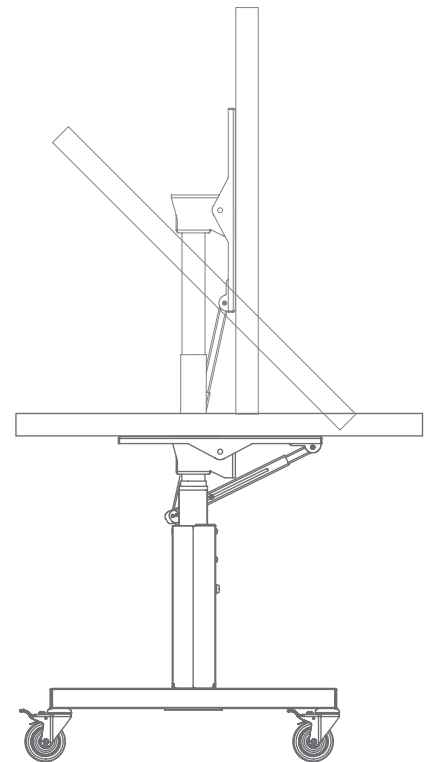


Tableau-Plus Multi-Aspect LFD Trolley

Ideal for the education sector, planning or architects, especially where touch technology is to be used. This compact trolley is capable of supporting up to a 70inch display then commanding it to rise or descend to either vertical or horizontal stopping safely at any point.

The robust modular construction and compact size means it can easily be stored then brought into use anywhere in a building over and over again. The central body has a lockable compartment for small PCs / players and has full connectivity for a number of popular devices. There is one power input and cable chain to the moving display.

Supplied with screen mount and manual switch as standard.

- * Robust modular construction
- * Compact size
- * Sinterflex black and other finishes
- * Supports large displays
- * Space for players and PCs
- * Manual switch operation
- * Discreet cable management

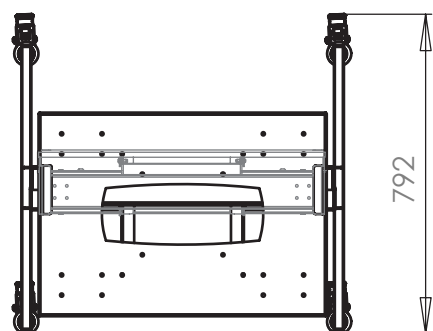
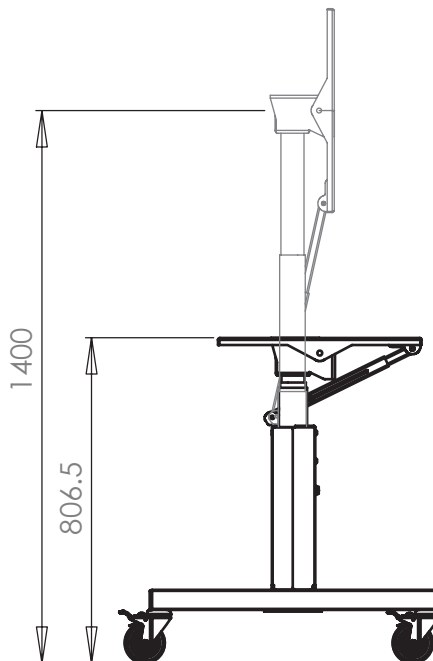
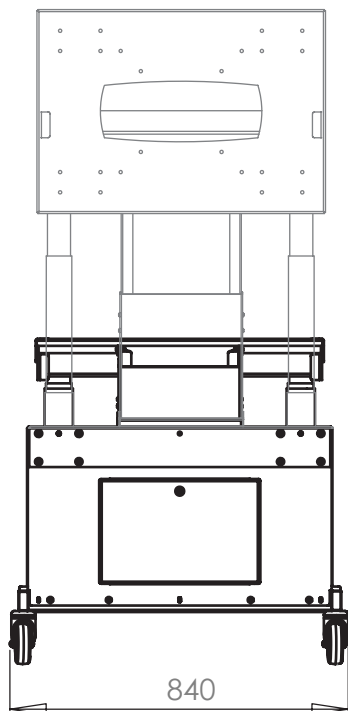


Supporting You



Specifications

Power through 90 degrees from horizontal to vertical stopping anywhere in between



Features

- * Robust modular construction
- * Compact size
- * Sinterflex black and other finishes
- * Supports large displays
- * Space for players and PCs
- * Manual switch operation
- * Discreet cable management



Tableau-de/e-Feb15



Contact us on:
09131 9405800
info@unicol.de

