



## Large Format Display Totem

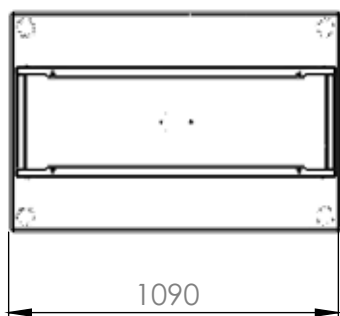
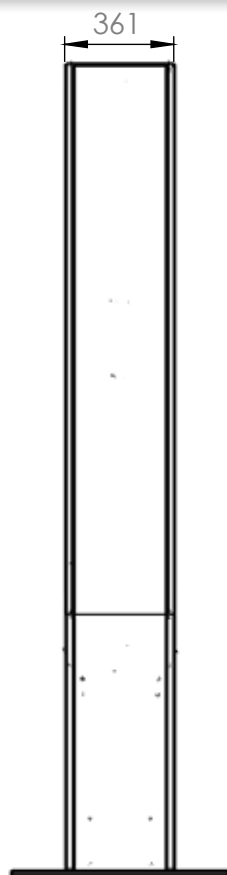
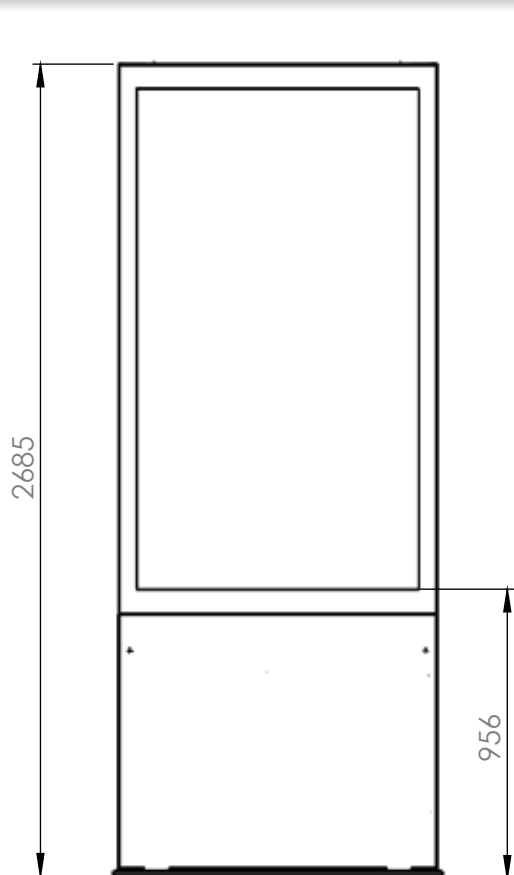
Kiosk style enclosures for large format screens in floor fixed and free standing versions.

This Totem is ideal for indoor digital signage applications.

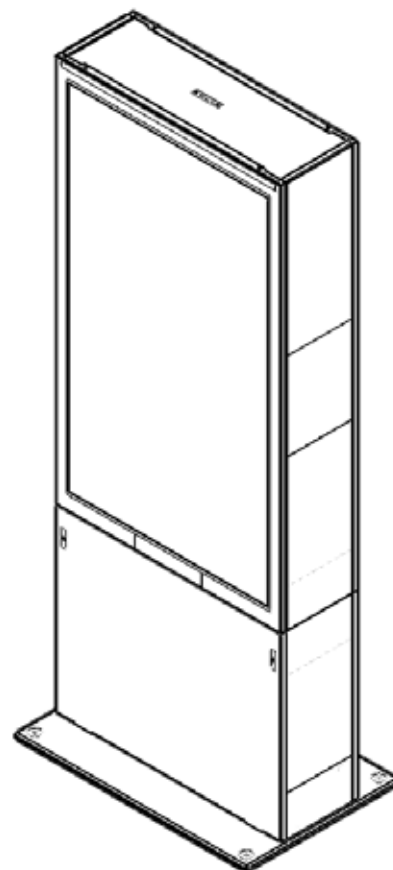
Our Special Projects Design department has been engaged in the ongoing development of these units and can produce conceptual and production versions for many varied applications. The latest version shown on the left is for a 75 inch display.

- \* Single or back-to-back displays
- \* Stylish and modern design
- \* Internal cable management
- \* Internal air circulating fans
- \* Laminated glass option
- \* Robust modular construction
- \* Easy to assemble and install
- \* Easy maintenance panel access
- \* Sinterflex black and other finishes
- \* Branding options available
- \* Wide choice of screen options
- \* Space for players and PCs
- \* Fast turnaround delivery 7 - 10 days





## Specifications



Free standing version shown for 75 inch LFD  
Standard unit has bolt down base with hidden fixings

## Features

- \* Single or back-to-back displays
- \* Stylish and modern design
- \* Internal cable management
- \* Internal air circulating fans
- \* Laminated glass option
- \* Robust modular construction
- \* Easy to assemble and install
- \* Sinterflex black and other finishes
- \* Branding options available
- \* Wide choice of screen options
- \* Space for players and PCs
- \* Fast turnaround delivery 7 - 10 days

Totem-2-Mar15



Rufen Sie uns an:  
09131 9405800  
info@unicol.de

