

**UNICOL<sup>®</sup>**

*Stands  
and  
Trolleys*

*Axia<sup>®</sup>  
range*



+49(0)9131 9405 800  
www.unicol.de



- Graceful and stylish design
- Video Conferencing options
- Twin Screen version available
- Concealed cable management
- Integrated 4-way power socket
- Portrait screen version available
- High quality safety glass shelves



#### Hi-Level Stand

Height to centre of screen 150cm.  
Glass shelf optional extra. Twin screen  
version also available, see Page 3.

**AX15P**



#### Lo-Level Stand

Height to centre of screen 100 & 110cm.  
Glass shelf AXGS included.

**AX10P** 100cm Stand version

**AX10T** 110cm Trolley version



#### Hi-Level Stand & Cabinet Base

Height to centre of screen 165cm.  
Glass shelf optional extra.

**AX16P**



### Axia Hi-Level Trolley



Height to centre of screen 160cm. Glass shelf optional extra.  
Twin screen version also available, see Page 3.

**AX15T**

## Large Screen Options

### For Screens 58" to 70"



Height to centre of screen 115 & 125cm.  
Glass shelf optional extra.

**AX12P** 115cm Stand version

**AX12T** 125cm Trolley version

Height to centre of screen 150 & 160cm.  
Glass shelf optional extra.

**AX17P** 150cm Stand version

**AX17T** 160cm Trolley version

### Axia Titan Range



Height to centre of screen 150cm & 200cm.  
Glass shelf optional extra. For large format  
screens 53" to 108". (Shown with 103" screen).  
(Powered versions also available - see Page 4)

### For Screens up to 90"

**AX15T2H** 150cm Trolley version

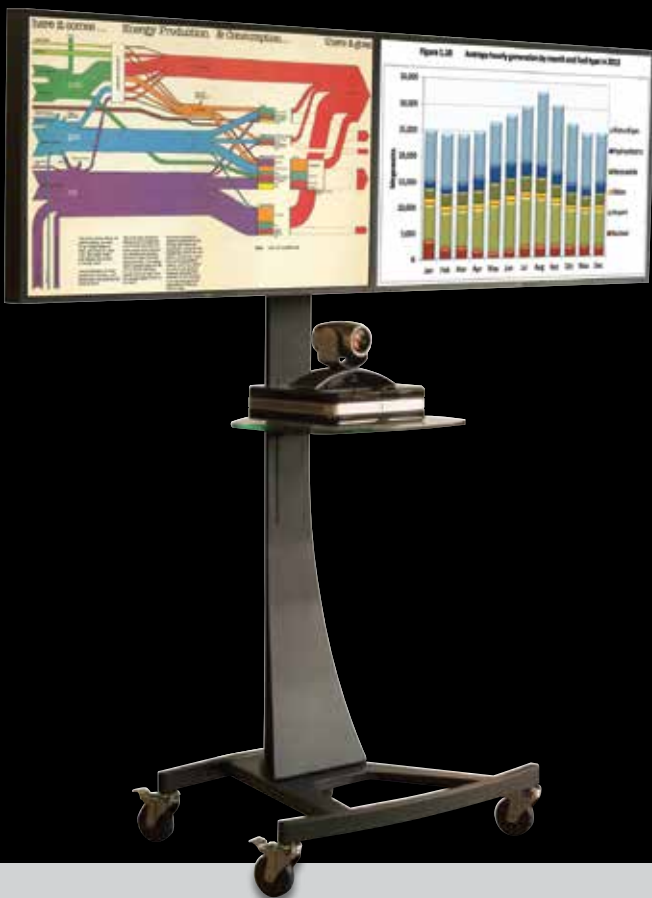
**AX20T2H** 200cm Trolley version

### For Screens up to 108"

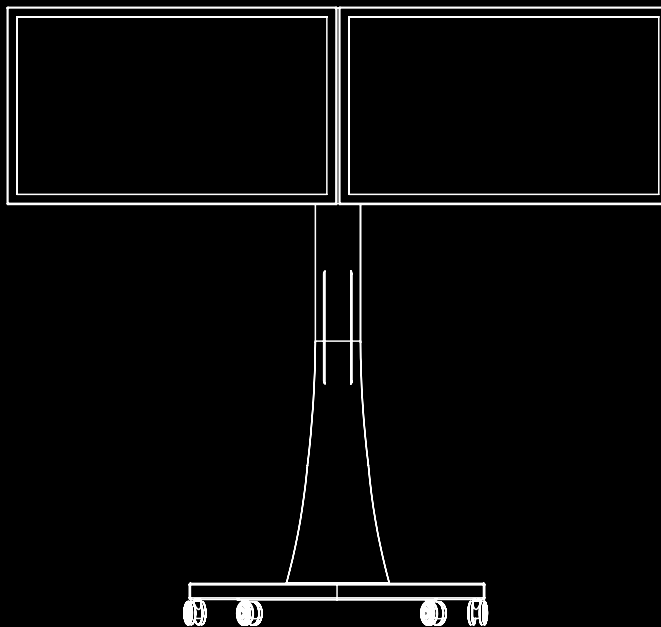
**AX15T2J** 150cm Trolley version

**AX20T2J** 200cm Trolley version





Axia Video-conferencing trolleys are a cost effective way of maximising assets across a number of board rooms.



**Videoconferencing and the Future?**

The Videoconferencing market is predicted to show strong growth in the next few years. In the current climate businesses are looking to cut costs associated with travel and some are implementing bans on unnecessary travel. Videoconferencing excels as an ideal solution with a quick, full, ROI period. Other concerns which face us all are those of being green. This is no longer something we fix by recycling at home but has become a real business agenda. Videoconferencing helps companies reduce their carbon footprint. The Axia range is perfect for Videoconferencing and its stylish looks will enhance any boardroom.

**Axia Twin Screen Stands and Trolleys**

Height to centre of screen 150cm.

These internally strengthened units cover a wide range of screen sizes. Easy to set up, these use our PZX universal screen mounts and toughened glass shelf AXGS included.

**AXC15P51** Stand version – screens up to 57"

**AXC15T51** Trolley version – screens up to 57"



**+49(0)9131 9405 800 [www.unicol.de](http://www.unicol.de)**

**Video Conferencing**



# Axia<sup>®</sup> Titan

## Titan Powa-Lift



Operated by hand held remote, manual switch or from your Lap-top, this trolley can lift screens up to 108" (including touch overlay), from 105 to 150cm, centre of screen. (82" screen with overlay shown).

**AXL15T2H** For screens 71" to 90"

**AXL15T2J** For screens 91" to 108"

## Safety

All of the Axia range are tested for the range of screens and peripheries shown in this leaflet. These tests are in accordance with BSI PAS122 : 2009, Specification for the installation of audiovisual equipment in classrooms and general publicly accessible areas.

# Powa-Lift



### Video Conferencing Mounts



Standard platform unit fits above screen. Use standard shelf for mounting below screen. Other units available to fit specific VC models and Titan range.  
– Call us for details.

**VCM** Shelf size 34w x 26d (cm)



### PC Housings



Our housings and interface units provide the vital means of installing network controlled screens by incorporating the PC or small form factor directly behind the screen.

**PCZX** Universal Non-tilting

**PCZW** Universal Tilting

(PC pocket size 32w x 33h x 10d (cm). Bespoke items and security options also available)



### Rota Mount



Smoothly rotate screens from landscape to portrait and anywhere in between.

Designed to fit most Unicol stand & trolley models or floor to ceiling systems and can also be direct wall fixed if required. In-built safety stops allow precise indexing to both landscape and portrait positions.

**RTM1**

Screens up to 70"



### Safety Glass Shelves

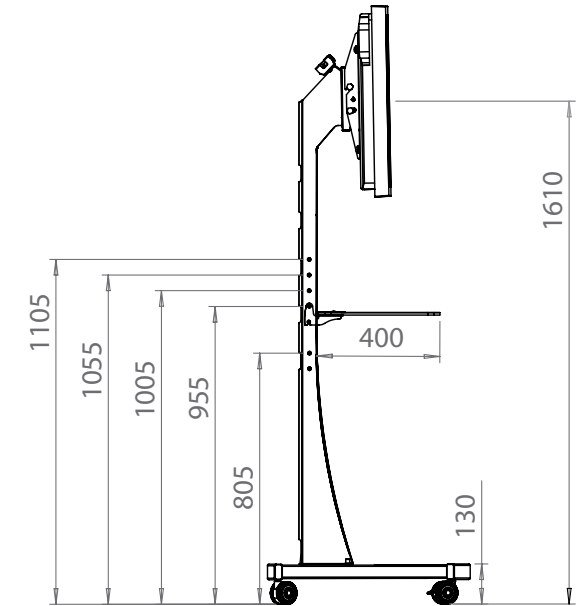
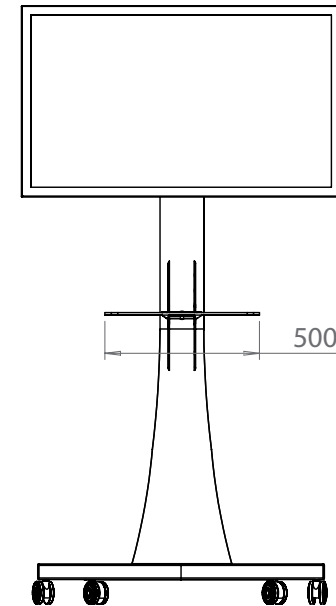
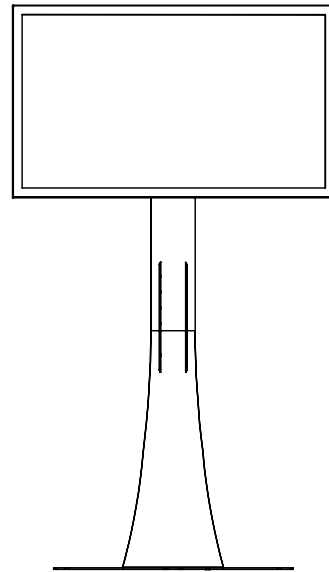
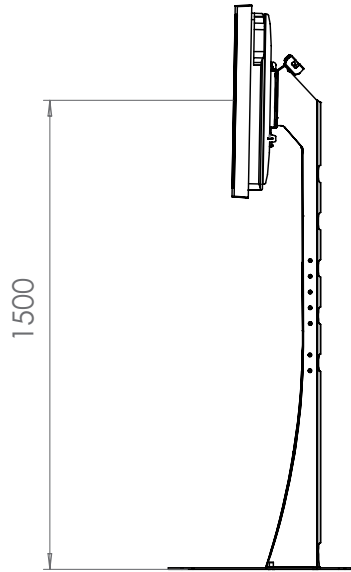


Choose from 2 sizes, these high quality shaped and fully edge polished 8mm shelves are toughened and conform to EN12150.

**AXGS** 50w x 40d (cm)

**AXWS** 78w x 39d (cm)



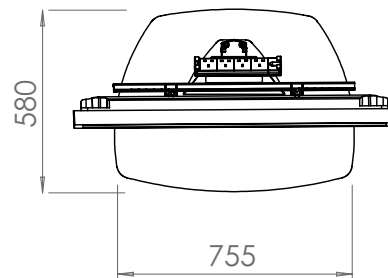


The AX15P and AX15T are our most popular products in the Axia range.

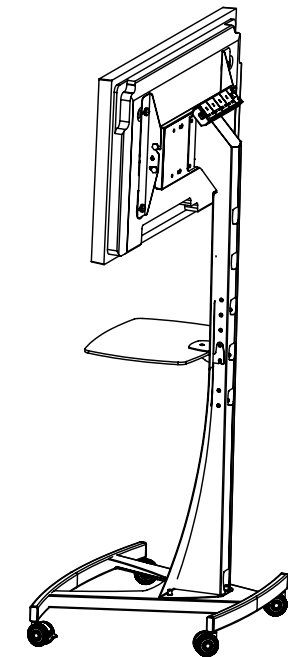
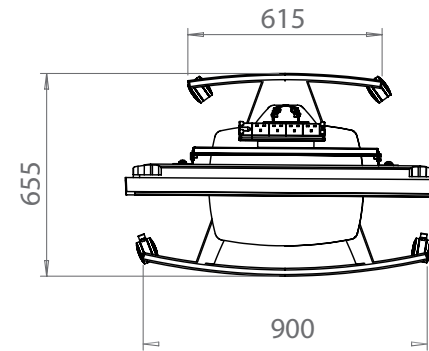
All Axia models other than the Titan Powa-Lift range can be fitted with standard Video Conferencing mounts, Glass shelves and PC Housings. (Bespoke accessories are made for the Titan Powa-Lift range – please call us for details).

Information including drawings for the rest of the range can be downloaded from our website or call one of our team for assistance.

## AX15P



## AX15T



*All Unicol mechanical components carry a 10 year guarantee. Electrical and electronic components carry a 1 year return to base guarantee.*

**+49(0)9131 9405 800**

**www.unicol.de**



*Axia*<sup>®</sup>  
range

**UNICOL**<sup>®</sup>

UNICOL Willi-Grasser-Str.15 D-91056 Erlangen +49(0)9131 9405 800 info@unicol.de www.unicol.de

