

**The installer friendly Pop Out mount with 'push to open' – 'push to close' latching.**

- \* Gentle 'Pop out' action for easy set-up and access.
- \* Easy screen adjustment in all planes.
- \* Accurate horizontal / vertical centre line marks on all back plates for easy set up.
- \* Adjustable Push to close latching pressure

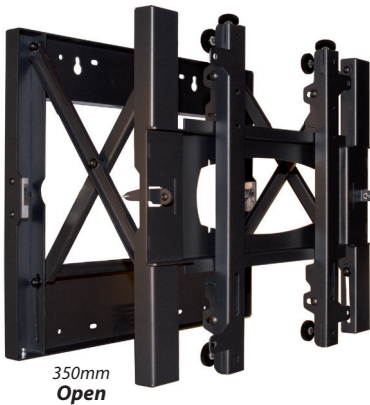
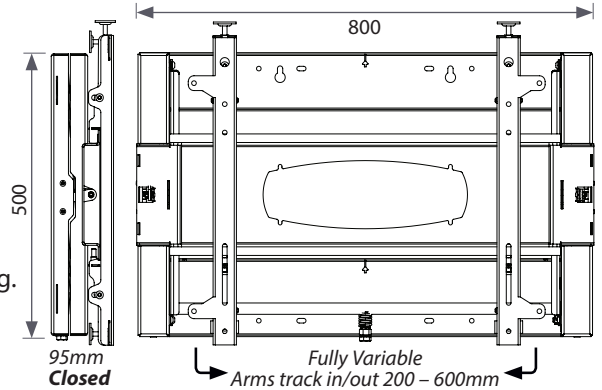


## Standard Version

Order Code  
**VWP1**

Ideal for most video wall applications and covering a wide range of VESA sizes. As with all Adapta-Wall mounts comes complete with fine adjustment features for accurate screen positioning.

Fits VESA  
200 x 200mm  
300 x 300mm  
400 x 400mm  
600 x 400mm  
(and any screen fixings in between)

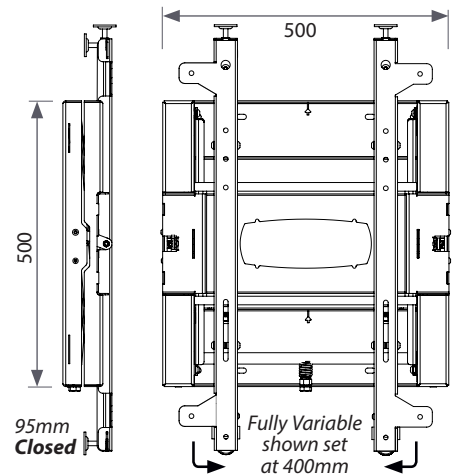


## Portrait Version

Order Code  
**VWP2**

The compact (500mm) width of this version allows use of screens in portrait mode whilst accommodating a wide range of VESA sizes.

Fits VESA  
200 x 200mm  
300 x 300mm  
400 x 400mm  
400 x 600mm  
(and any screen fixings in between)

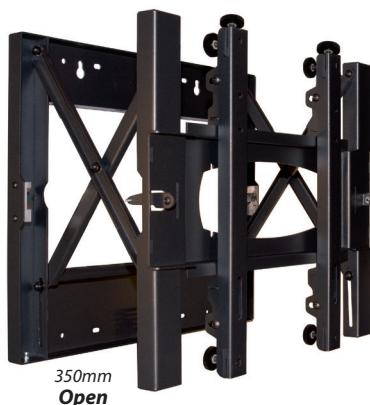
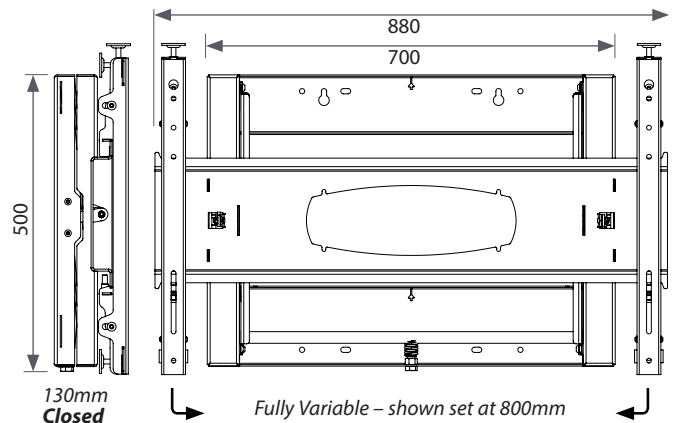


## Stretched Version

Order Code  
**VWP3**

The extra width (880mm) of this version enables screens with VESA fixings of up to 800 x 400mm to be accommodated.

Fits VESA  
200 x 200mm  
300 x 300mm  
400 x 400mm  
400 x 600mm  
400 x 800mm  
(and any screen fixings in between)



\* All versions can be direct wall fixed or used in conjunction with our Adapta-Wall structure system fittings

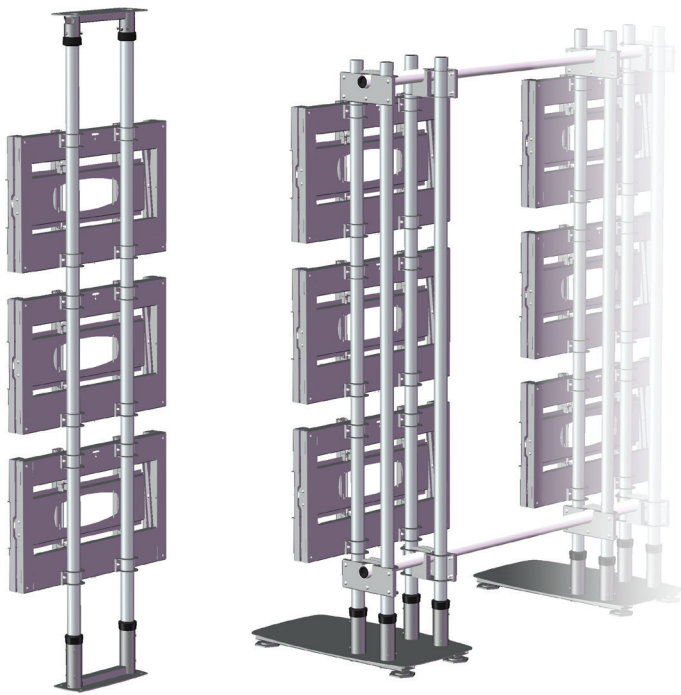
UNICOL Willi-Grasser-Str. 15 D-91056 Erlangen +49(0)9131 9405 800 info@unicol.de www.unicol.de



\* Integrates with our Adapt-Wall structure for free-standing, floor to ceiling, floor to wall & ceiling suspended installations.

\* Optional 'pull cord' security feature prevents unauthorised 'Pop out' operation in public areas or any situation required.

Our Adapta-Wall structure system enable all forms of video walls to be constructed using standard Unicol column lengths (see Page 18) in conjunction with the fittings listed below. Adapta-Wall pop-out mounts may then be directly fitted. All items are available ex stock.



### Twin Column Structures

For Floor to Ceiling installations;

Select Floor Plates VWPA4, U-Clamps VWPA5, Twin Ceiling Plates VWPA2. Add Columns & Pop Out mounts to complete.

For Floor to Wall installations;

Select Floor Plates VWPA4, U-Clamps VWPA5, Wall Plates VWPA9. Add Columns & Pop Out mounts to complete.

### Four Column Structures

For Free Standing installations;

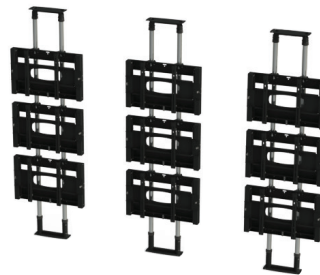
Select Quad Base Units VWPA8, U-Clamps VWPA5, Tie Braces VWPA1. Add Columns & Pop Out mounts to complete.

For Ceiling Suspended installations;

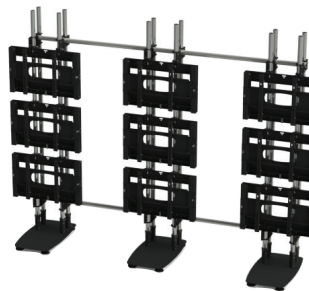
Select Quad Ceiling Plates VWPA10, U-Clamps VWPA5, Tie Braces VWPA1 & Locking Rings LR. Add Columns & Pop Out mounts to complete.



**Ceiling Suspended**



**Floor to Ceiling**



**Free Standing**

– Call us for technical advice on any project being considered. Full video wall information sheet also available.



3x3x46" Ceiling Suspended video wall, Cheshire University



8x4x55" Curved video wall Emirates Airline, Thames cable car, London

