

# UNICOL®

# AV

## FURNITURE

---





**The Rhobus table is available in two variations, Huddle (above) and Stand-to-Meet (right).**

Both have ample capacity and connectivity for cabling, codec and integration with other systems, all accessible through a cable well and locking door. Built in 4-way power socket comes as standard. Video conference camera mounts are available for all the leading manufacturers of VC equipment. Table tops can be customised in different shapes with cut-outs for all the leading brands of connectivity devices. They can also be branded with different colours and logos. Seating can be supplied as an optional extra.

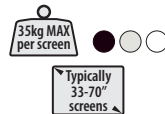
**RHOBUS HUDDLE COLLABORATION TABLE**

Order Code  
**RHO1**  
**RHO2**

Oval - Single Screen version  
 Oval - Twin Screen version



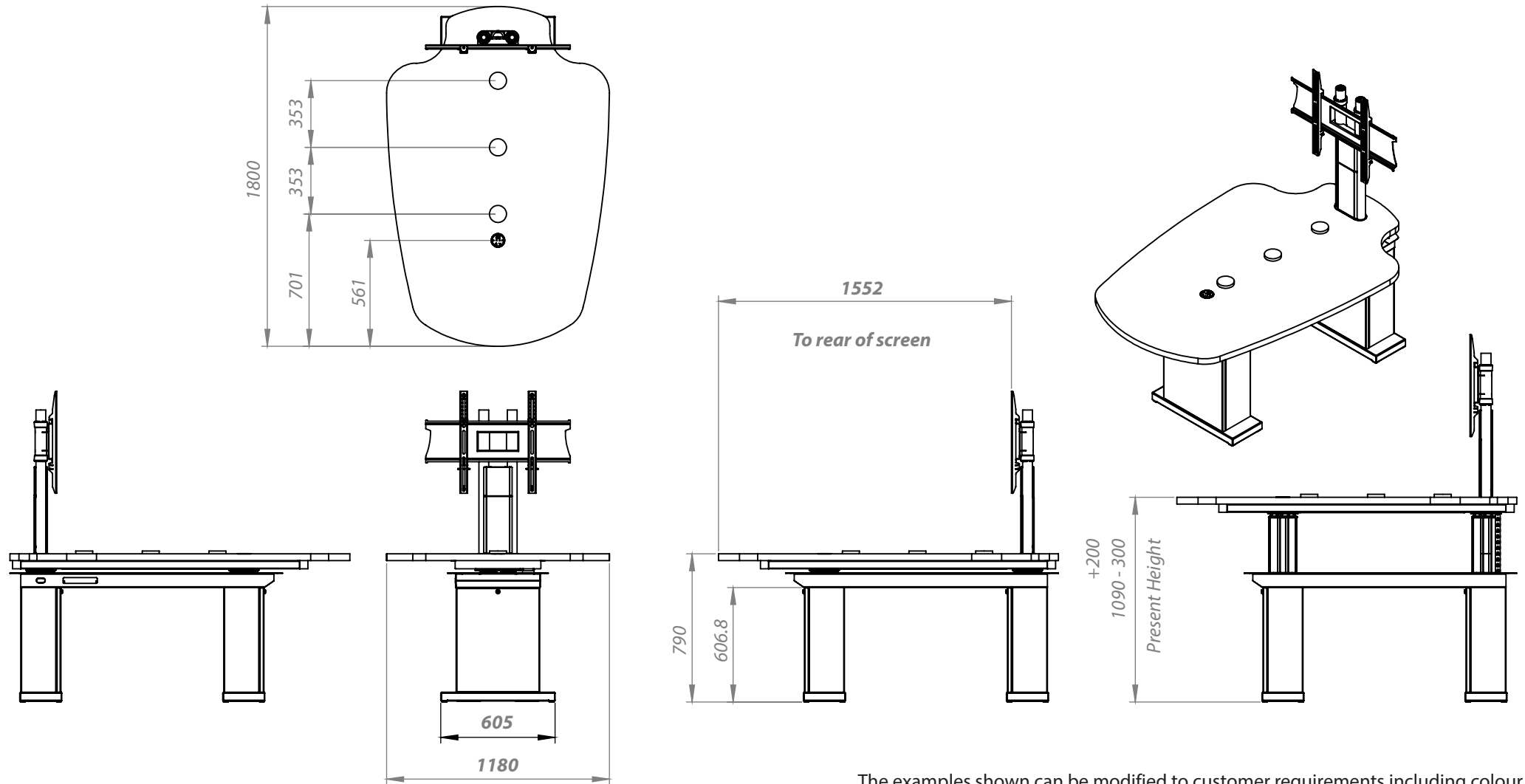
- \* Full unified connectivity
- \* Underside rack options
- \* Lockable equipment housing
- \* Built in hearing induction loop
- \* Branding, logos & special finishes
- \* Accommodates wide choice of devices
- \* Custom table shape & finish options
- \* Fast turnaround delivery 10 - 15 days



**RHOBUS STAND-TO-MEET**

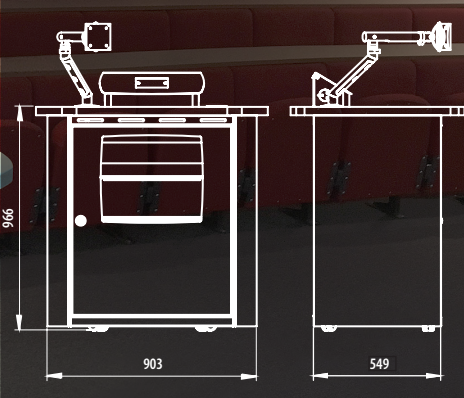
Order Code  
**RS01** Twin screen stand to meet unit  
**RSU01** Underside custom controller /switcher unit  
**RSU02** Large front mast for cable cubby with retractors

## RHOBUS HUDDLE SPECIFICATION / DIMENSIONS



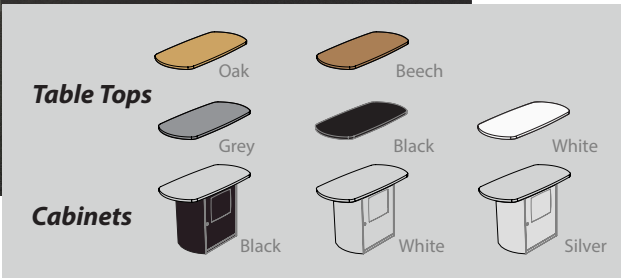
The examples shown can be modified to customer requirements including colour branding and the application of logos.

## CANTERBURY LECTERN



Versatile lectern provides secure storage for media electronics with 19" 16U rack mounting as standard. Stylish oval cabinet has concealed castors with jacking feet for extra stability on uneven surfaces. The range of durable desk tops are available in a choice of sizes and incorporate a control panel housing for standard & custom apertures, together with power outlets.

High quality monitor arm is fully adjustable and there is generous desk top room for keyboard and visualiser if required. Desk tops are available in 1000, 1250 & 1500mm widths, all are 750mm deep with a choice of wood effect finishes. With ability to customise to a wide range of requirements, including colours and branding, this premium self contained lectern is complimentary to any modern lecture theatre.



Order Code

**UFCL10**

**Canterbury Lectern**

Top - 1000x750x36mm - with Monitor Arm & Control Housing

**UFCL12**

**Canterbury Lectern Plus**

Top - 1250x750x36mm - with Monitor Arm & Control Housing

**UFCL15**

**Canterbury Lectern Pro Plus**

Top - 1500x750x36mm - with Monitor Arm & Control Housing



## PRESENTOR

Ideal for small lecture theatres where space is limited, the folding 18mm wood finish top is designed to be functional yet compact, with built in pen tray and space available for laptop and note taking.

A lockable cabinet (with key alike) is provided for a PC with access to PC ports and power. A 3U rack strip is also built in. A standard UK double gang aperture is provided in the sloping top face along with a custom size aperture. (Please supply controller make & model & size of aperture).

### How to order

Choose cabinet finishes listed. Please then provide preference for control panel housing requirements.

Order Code  
**UFPL08**

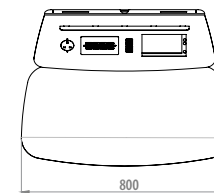
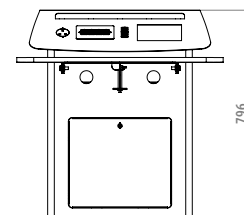
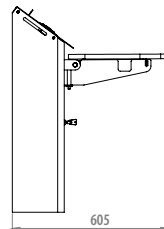
mm  
800(w) x 796(h) x 605(d)

### Table Top and Cabinet Choices:

Table Top



Cabinets



[info@unicol.de](mailto:info@unicol.de)

+49(0)9131 9405 800

[www.unicol.de](http://www.unicol.de)

## THE PRINCIPAL

Provides lecturers with a central desk facility to control AV lecture content, screen or projector video sources, audio and lighting levels and more. Cabinets have 19" removable 6U racks and the desk, including control housing and fully adjustable screen mount, can be powered up and down by remote or manual switch.

- \* 19" removable 6U racks allows pre installation option
- \* Full cable management allows for bulky connectors
- \* Motorised Desk Top available in a range of finishes
- \* Screen mount has left/right or multi-screen options
- \* Control Housing has standard & custom apertures
- \* Power socket left and right of control housing
- \* Logo designs including back illuminated versions
- \* Generous desk top space for visualiser if required
- \* Castor mobile for access through standard doorways
- \* Fast turnaround 7 - 14 days delivery on basic units

### How to Order

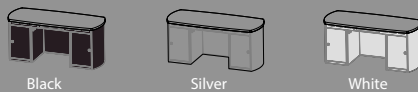
Select any of the table top & cabinet finishes listed. Please then provide preference for monitor arm left or right and control panel housing requirements.

Order Code *mm*  
**UFPD17** 1715(w) x 778(h) x 700(d)

Top - 1715 x 750 x 36 - with Monitor Arm & Control Housing

### Table Top and Cabinet Choices:

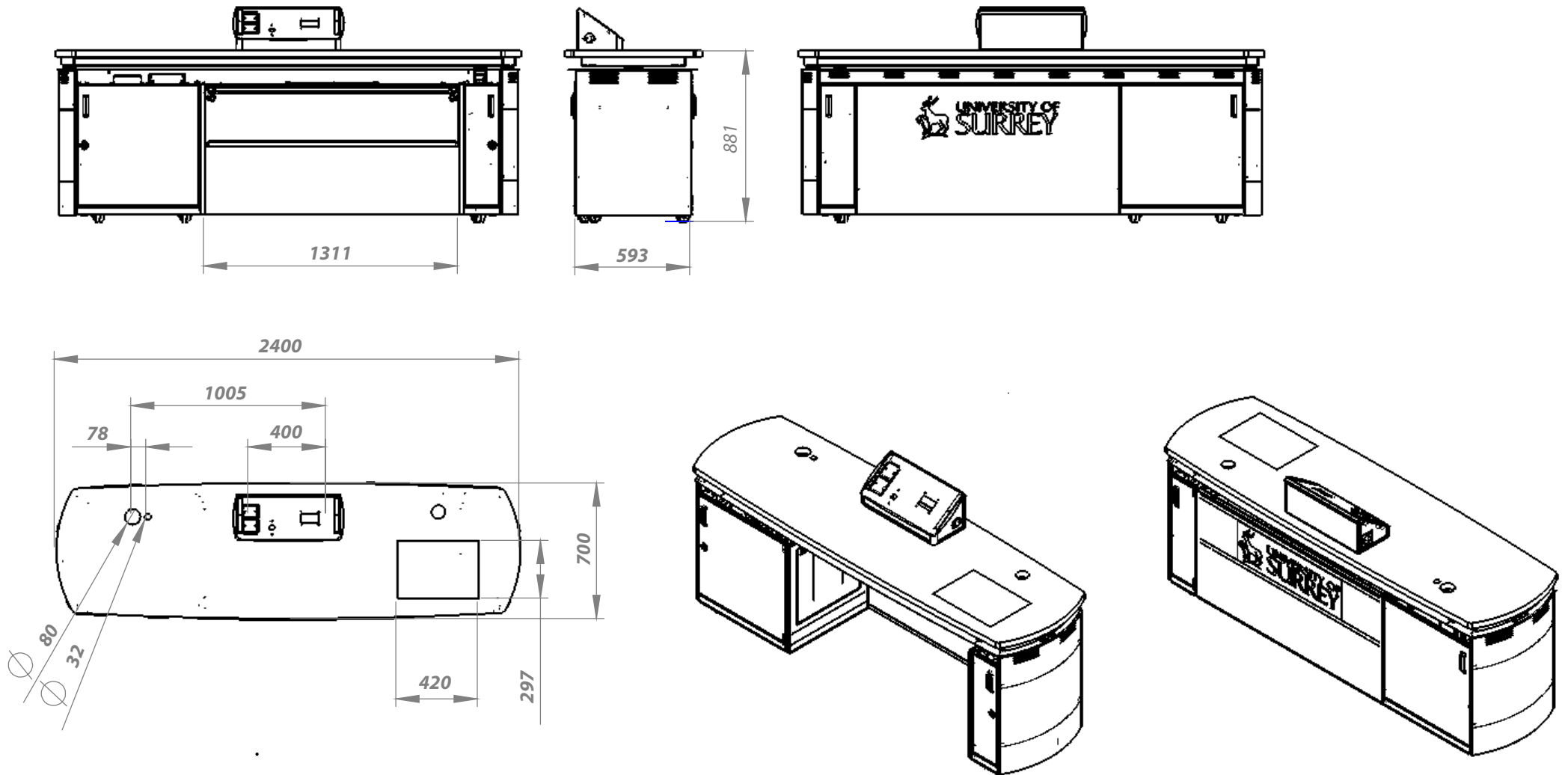
#### Cabinets



#### Table Tops



## PRINCIPAL TEACHING AID DESK - DIMENSIONS / SPECIFICATIONS



The examples shown can be modified to customer requirements including colour branding and the application of logos.



# UNICOL®

T: +49(0)9131 9405 800

E: [info@unicol.de](mailto:info@unicol.de)

W: [www.unicol.de](http://www.unicol.de)

